



# **INSTALLATION & USER'S GUIDE**

CoreManual TorqDrive Clutch Kit  
2019 KTM

Doc ID: 191-7113191A  
Revision: 081319

# TABLE OF CONTENTS

OVERVIEW .....	2
INSTALLATION TIPS .....	3
TOOLS NEEDED.....	3
INCLUDED PARTS .....	4
BIKE PREP & DISASSEMBLY .....	5
INSTALL THE CLUTCH PACK .....	9
PRESSURE PLATE INSTALLATION.....	10
MAINTENANCE.....	13
Clutch wear .....	13
Clutch parts .....	14
Preventive Maintenance.....	14
NEED ADDITIONAL HELP?.....	16

## OVERVIEW

- This kit replaces the OE (Original Equipment) or “stock” core clutch components including the center clutch hub and pressure plate with high-quality billet components designed for optimal operation specific to your bike.
- All 8 OE friction disks will be replaced with Rekluse TorqDrive® Frictions, and all OE steel drive plates will be replaced with Rekluse TEC drive plates.
- All 6 of the OE drive pins will be reinstalled.
- If you install this product for a customer or another person, instruct them to read the **Safety Information** document and the **Installation and User Guide** before operating the bike with the product.

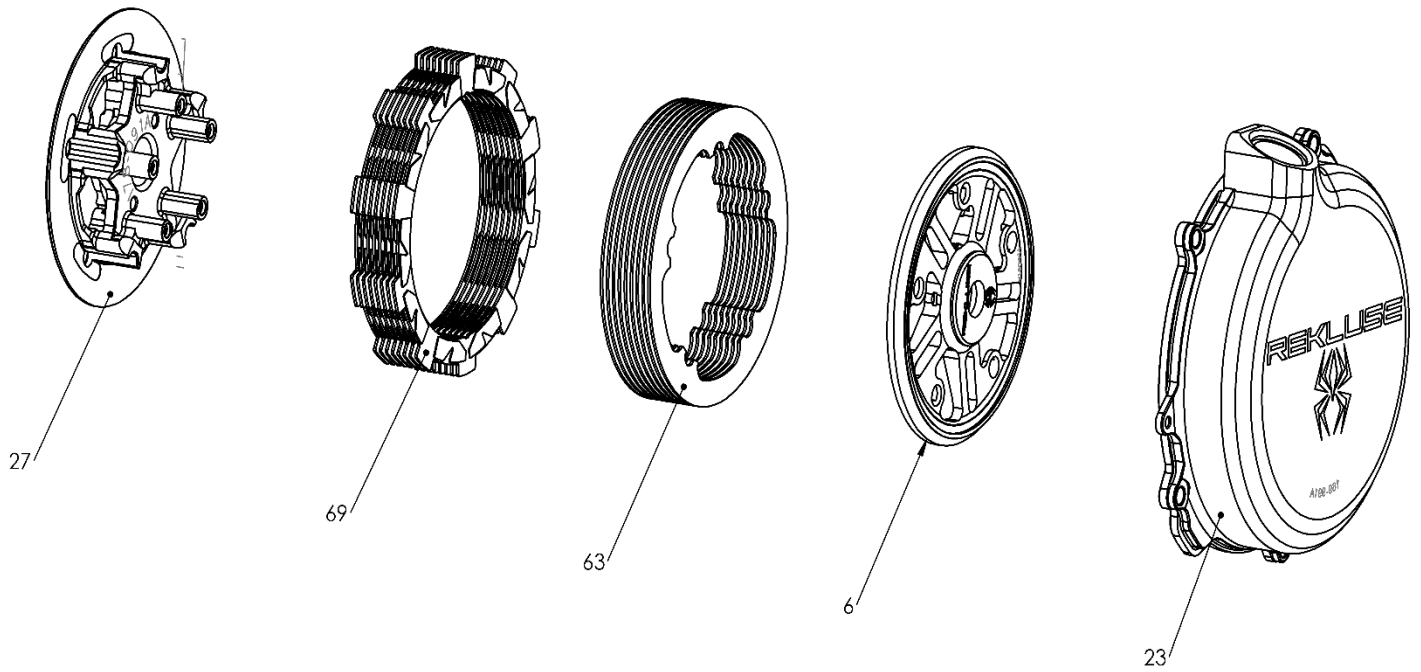
# **INSTALLATION TIPS**

- Read this entire document before performing any steps, so you will know what to expect.
- Be sure to use proper eye protection.
- Laying the bike on its left side allows for easy clutch access and eliminates the need to drain oil.
- Use an air or electric impact wrench to remove the center clutch nut. If one is not available, you can place the bike in top gear and hold the rear brake while loosening the center clutch nut with a socket and breaker bar.
- Channel-lock pliers work best to bend the tabs of the washer up over the center clutch nut.
- Use clean, quality oil that meets JASO-MA or JASO-MA2 oil requirements. Rekluse offers Factory Formulated Oil™ developed specifically for Rekluse products. Rekluse Factory Formulated Oil is a perfect complement to any OEM or aftermarket wet clutch. Visit [www.rekluse.com](http://www.rekluse.com) to learn more.

# **TOOLS NEEDED**

- 8 mm socket
- 27 mm socket
- Channel-lock pliers
- Hammer
- Torque wrench (in-lb & ft-lb, or N-m)
- Screwdriver

# INCLUDED PARTS

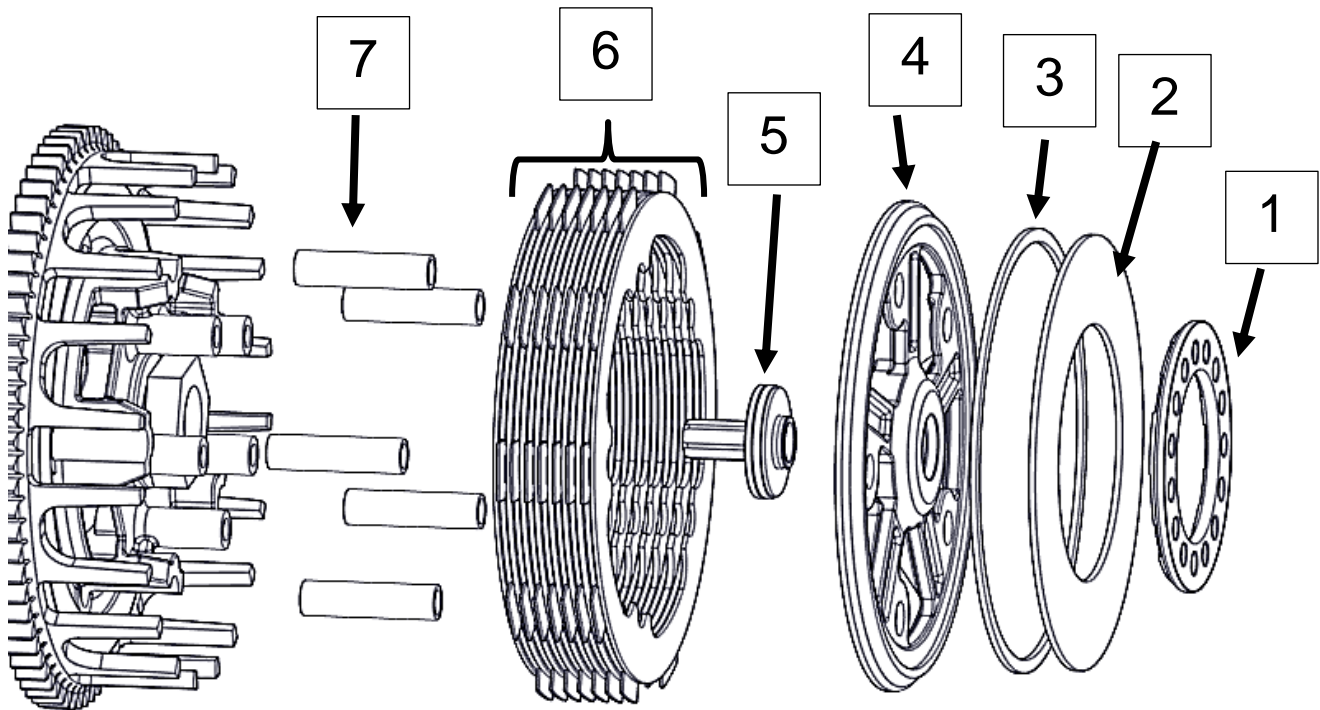


Item	Item Type	Qty
6	Pressure plate	1
23	Clutch cover	1
27	Center hub	1
63	Steel drive plate - .040" (1 mm)	9
69	TorqDrive® friction disks	8
Not shown	Tab lock washer	1

Visit [Rekluse.com/support](https://Rekluse.com/support) for a full parts fiche illustration and part numbers.

# **BIKE PREP & DISASSEMBLY**

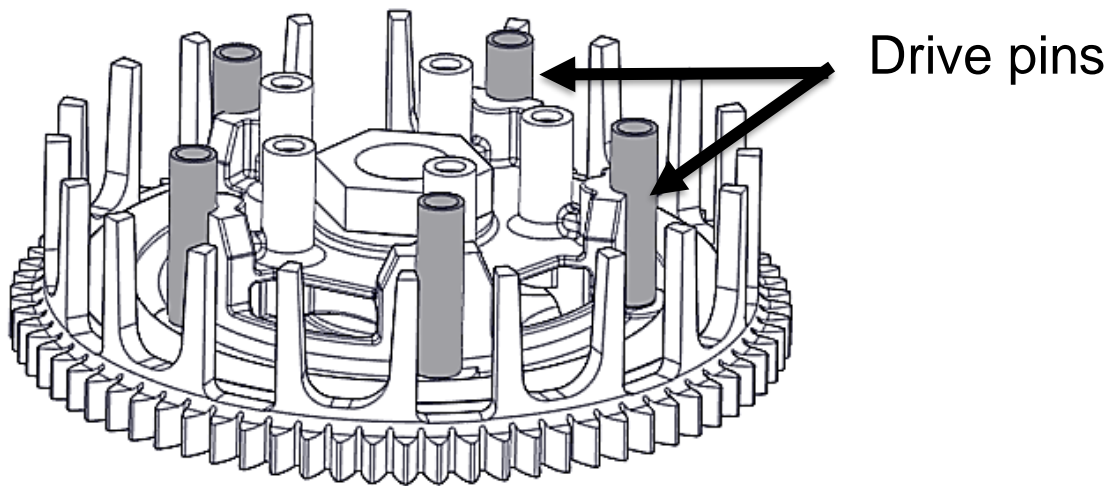
1. Lay the bike on its left side. Catch any fuel that might drain in a suitable container.
2. Using a socket, remove the clutch cover bolts, then remove the clutch cover.
3. Remove the OE spring ring screws.
4. Remove the following OE parts.



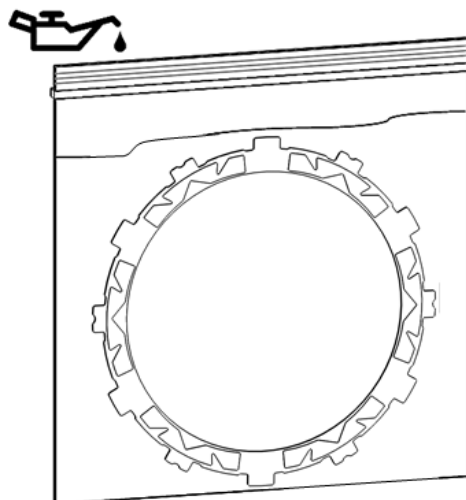
1	Spring ring
2	Belleville spring
3	Slider ring
4	Pressure plate
5	Throw-out
6	Clutch pack
7	Drive pins

## **NOTES:**

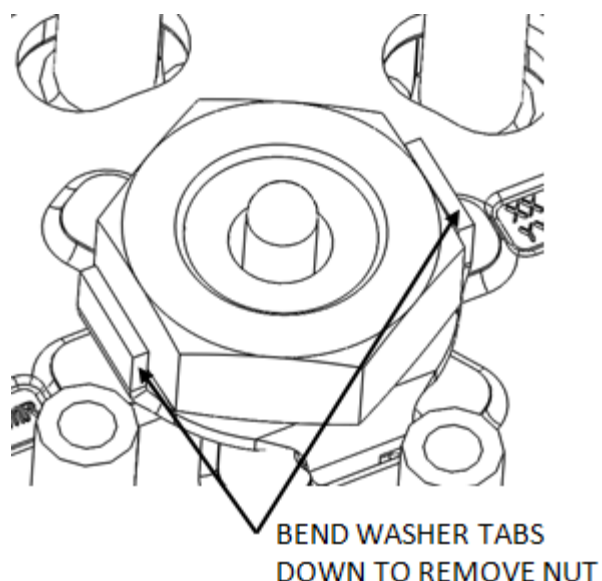
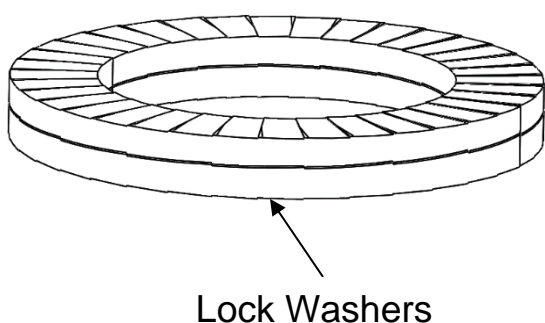
- Be careful that the drive pins do not fall into the engine while disassembling.



5. Soak the TorqDrive® friction disks in new engine oil for 5 minutes. Make sure the friction disks are coated on both sides.

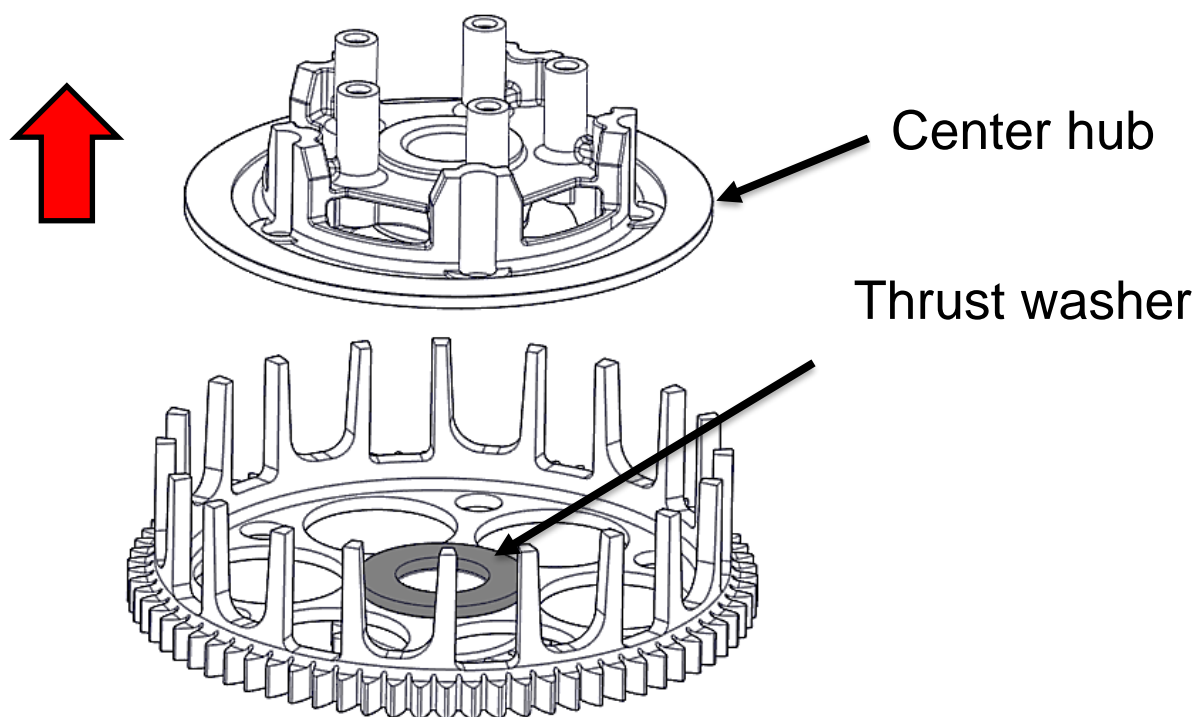


6. Use a hammer and large screw driver to bend down the tabs of the tab washer, then remove the clutch nut.

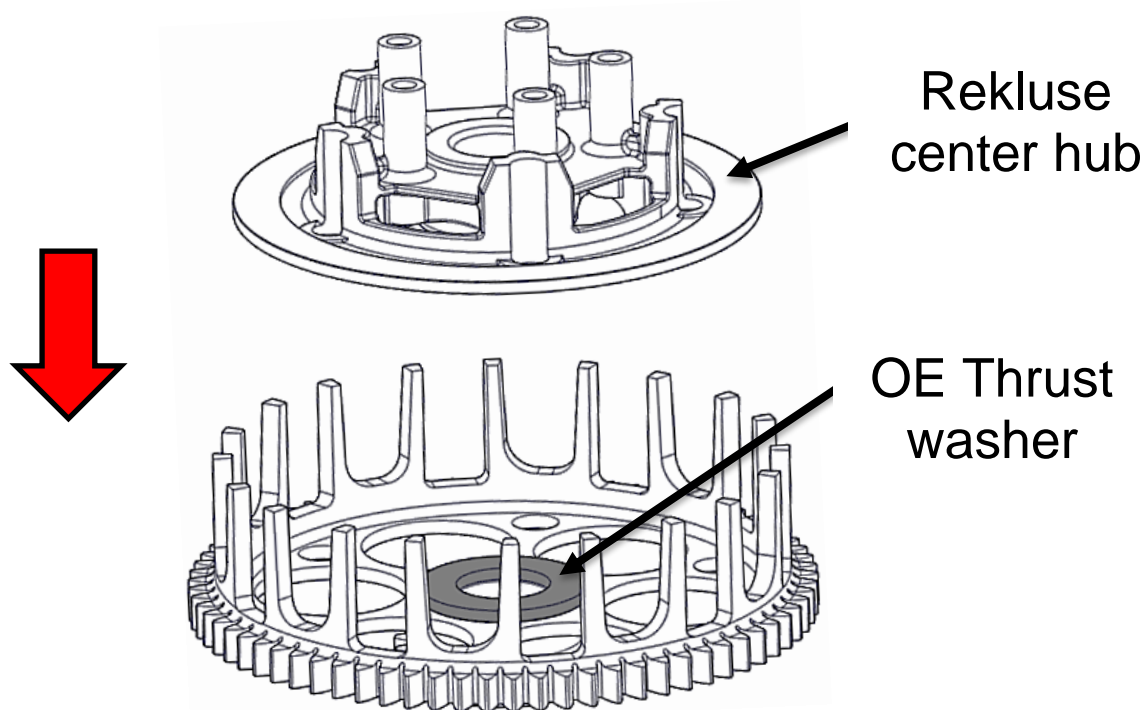


**NOTE:** Some models contain a set of lock washers instead of a tab washer. These will be removed after clutch nut and will not be reused.

7. Remove the center hub from the bike. *Make sure the thrust washer is in place on the main shaft and not stuck to the bottom of the center hub assembly.*



8. Install the new center hub into the motorcycle. *Make sure the thrust washer is on the main shaft before installing.*

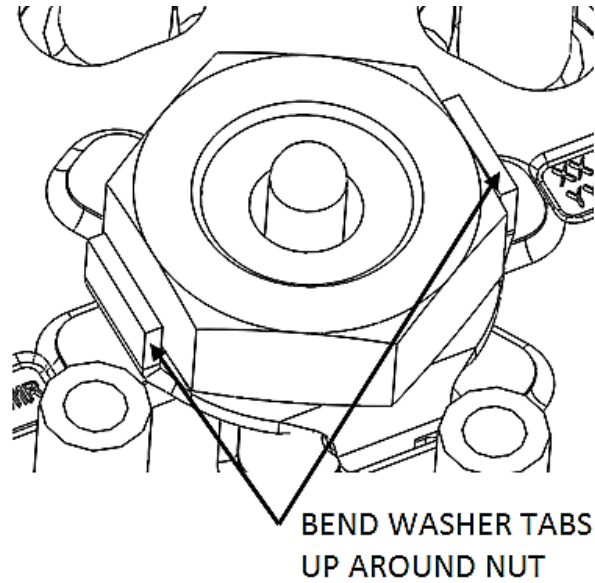


9. Install the new Rekluse tab washer, then reinstall the OE center clutch nut

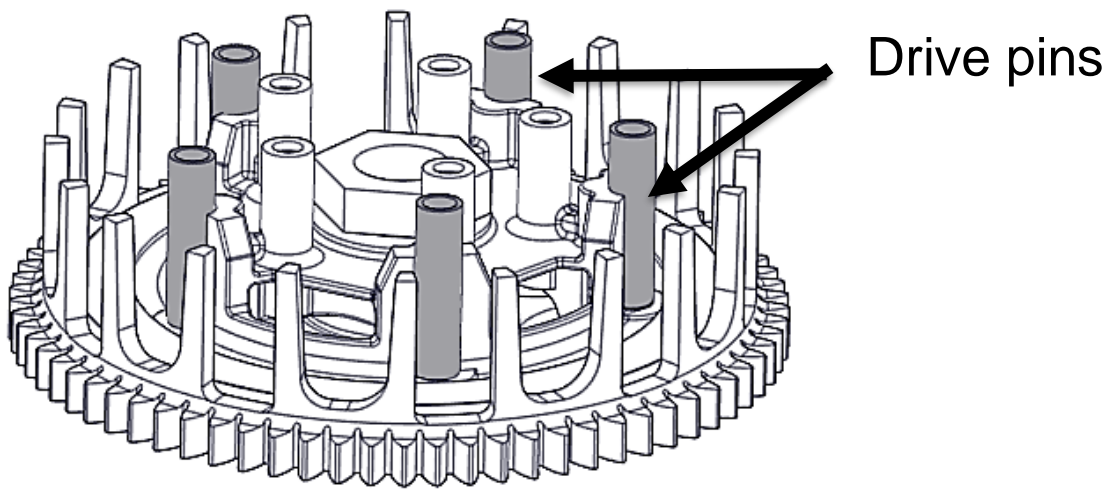
10. Torque the nut to **50 ft-lb (68 N-m)**.



11. Using the channel-lock pliers, bend up **both** tabs of the tab washer tightly around the nut. The tabs can be bent on the straight sides or around the corners.



12. Seat the 5 OE drive pins into the Rekluse hub.



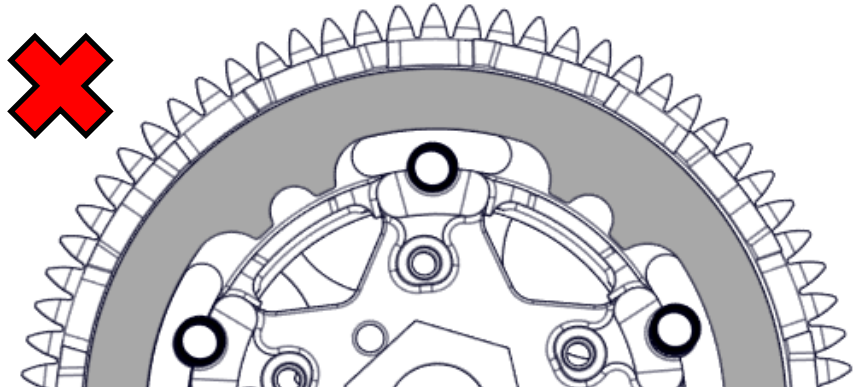
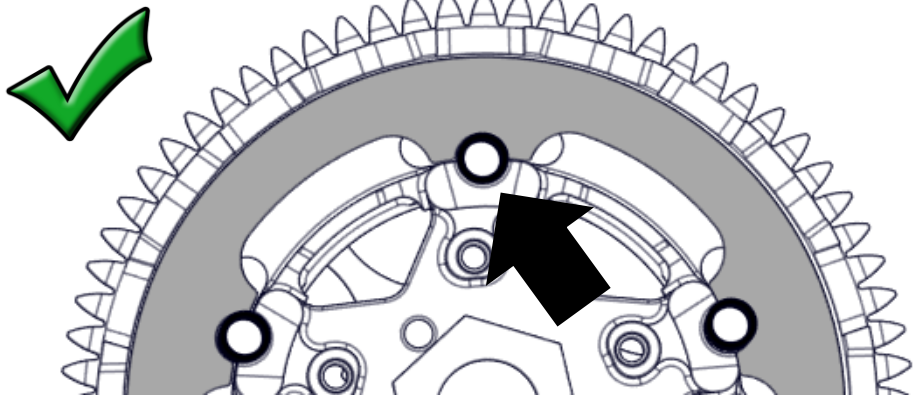


# INSTALL THE CLUTCH PACK

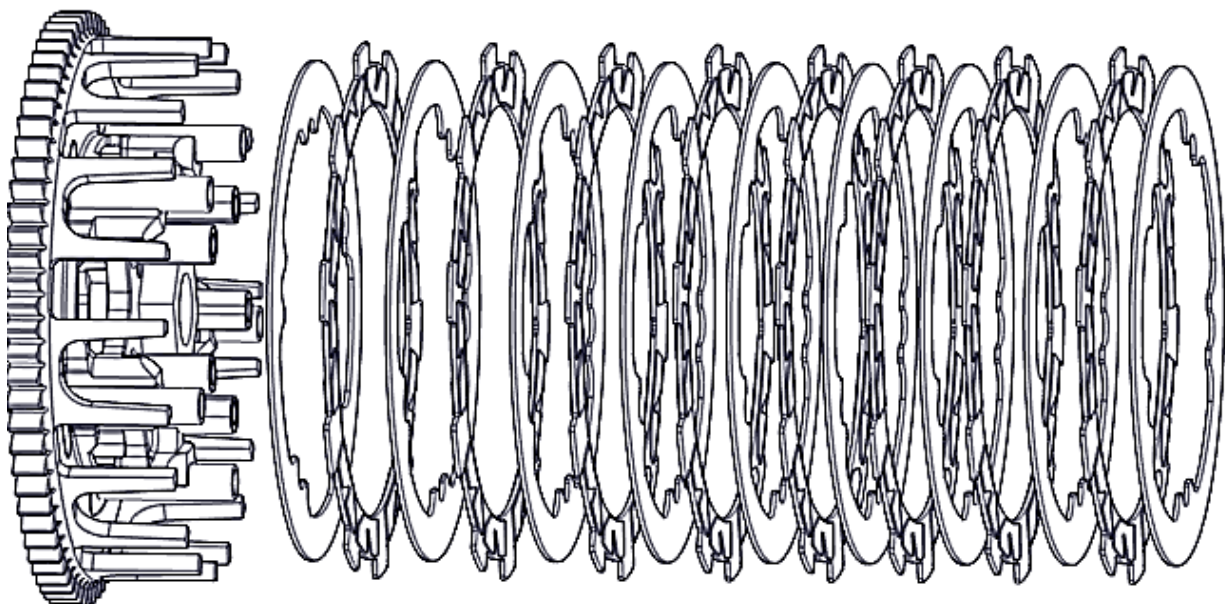
1. Install a Rekluse steel drive plate into the clutch basket making sure that the drive pins are seated into the notches. (All drive plates will follow this orientation). *ALL the steel drive plates must be aligned in the drive pins notches or damage may occur. The plates will not move when installed correctly.*

## **NOTE:**

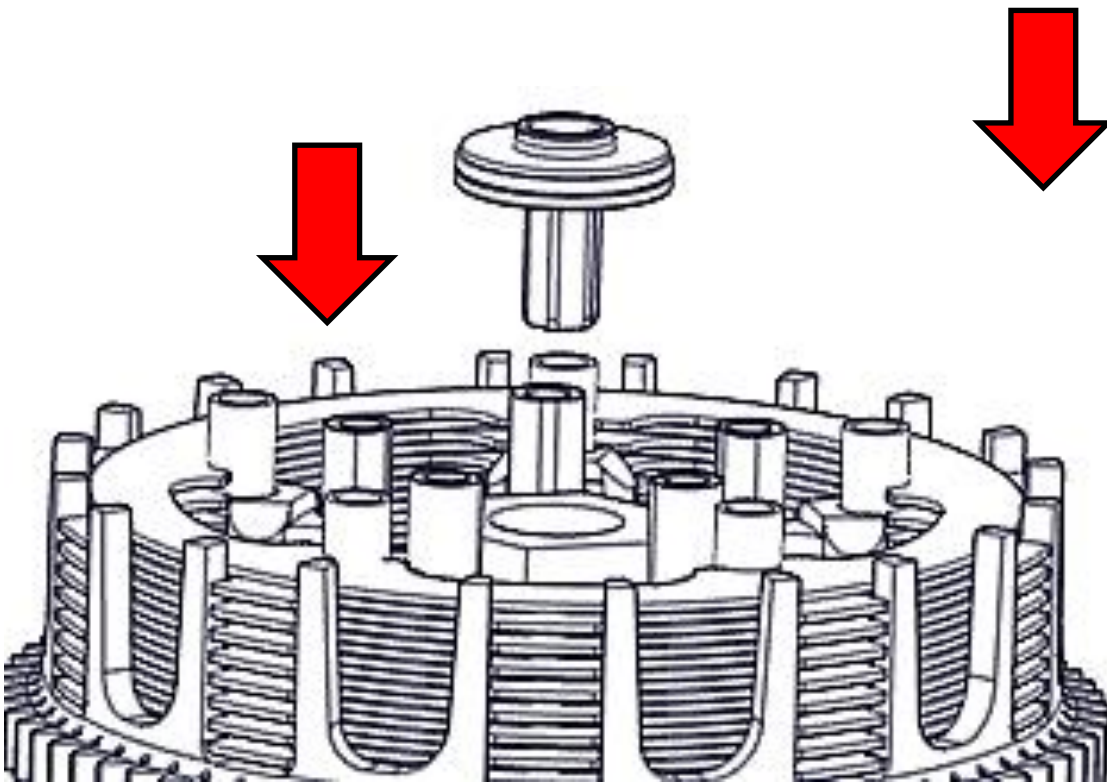
Be sure that the drive pins are seated in the notches and not in the bigger sections.



2. On top of the steel drive plate, install a Rekluse friction disk.
3. Continue to alternate steel drive plates with friction disks for the entire clutch pack. **See the Setup Sheet at the back of the manual for specific clutch pack information and measurements.**

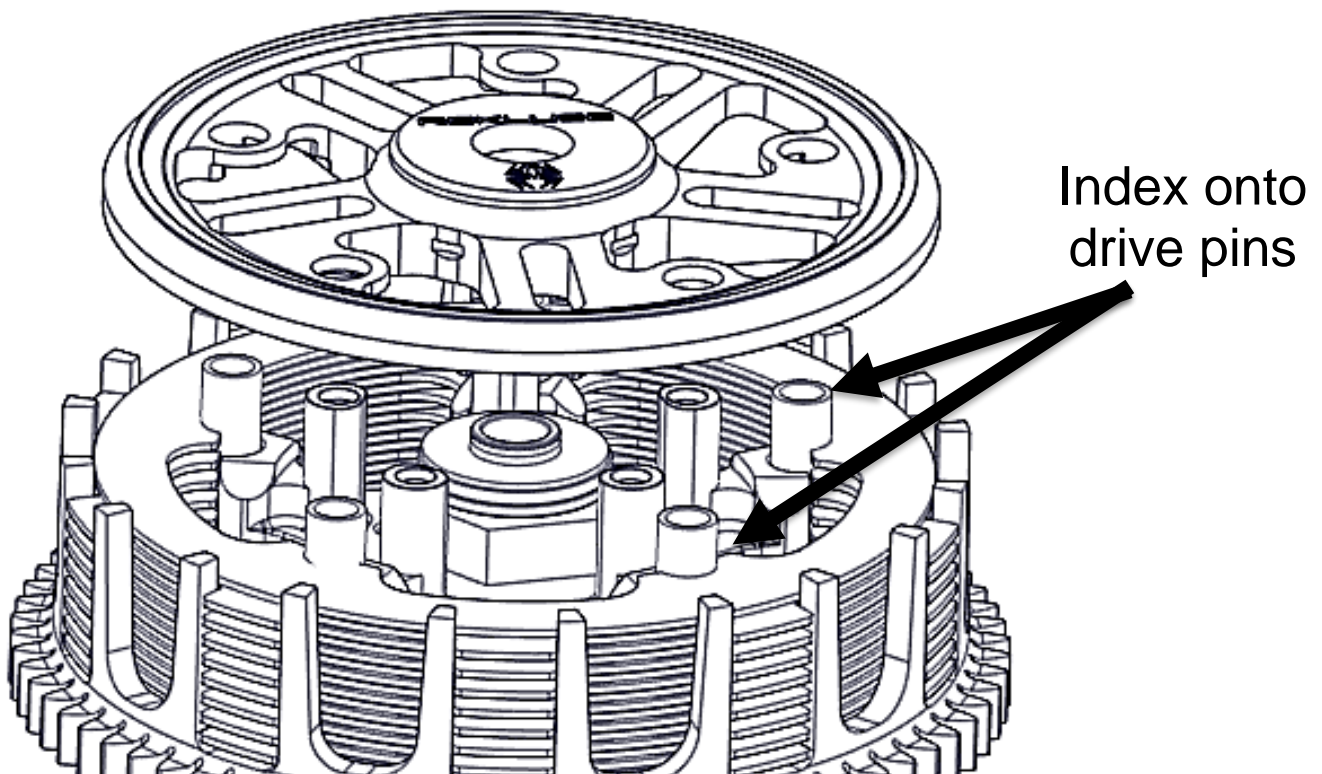


4. Reinstall the OE throw-out assembly.

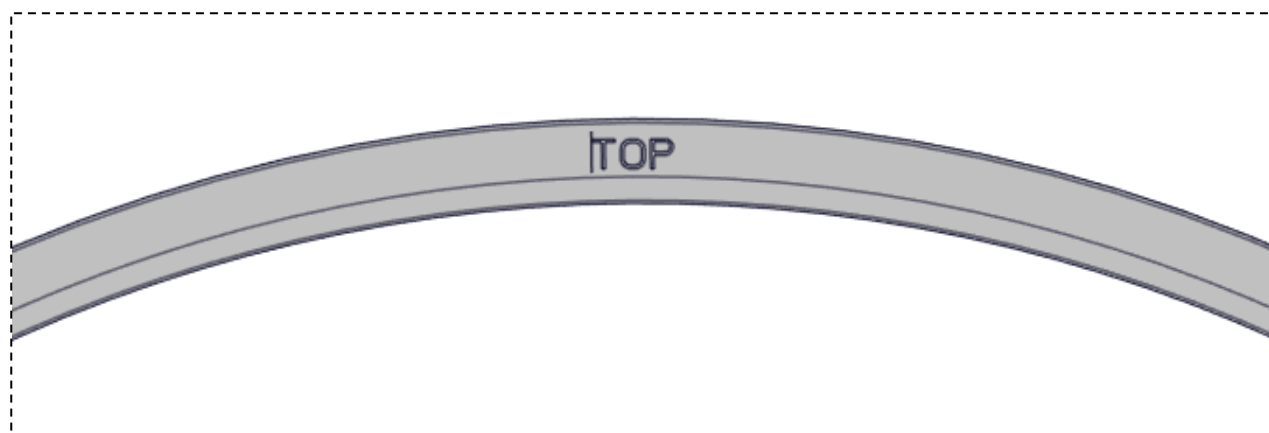


## **PRESSURE PLATE INSTALLATION**

1. Install pressure plate by indexing the pressure plate onto the drive pins.

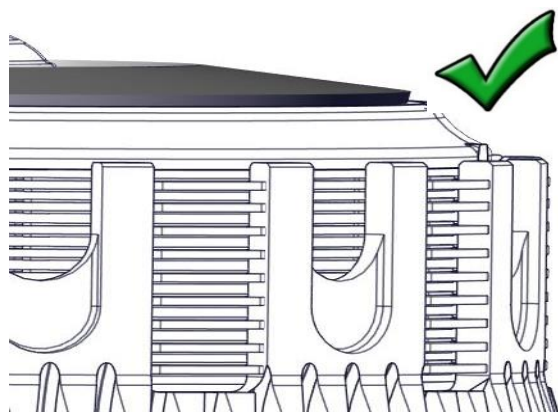


2. Place the OE slider ring on the pressure plate with the “top” marking facing up. (The top side is rounded and the bottom edge is sharp.)

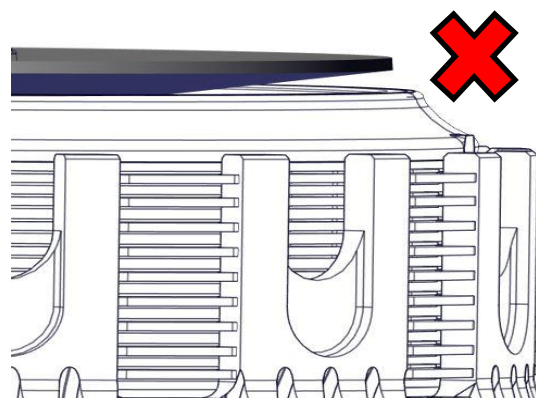


3. Install the OE Belleville spring onto the slider ring, with the rounded dome side facing up. See pictures for reference.

**NOTE:** The outer edge of the Belleville spring will make contact with the slider ring. If it does not, the Belleville spring is upside down.



**Correct** – The Belleville spring sits flat against the slider ring.



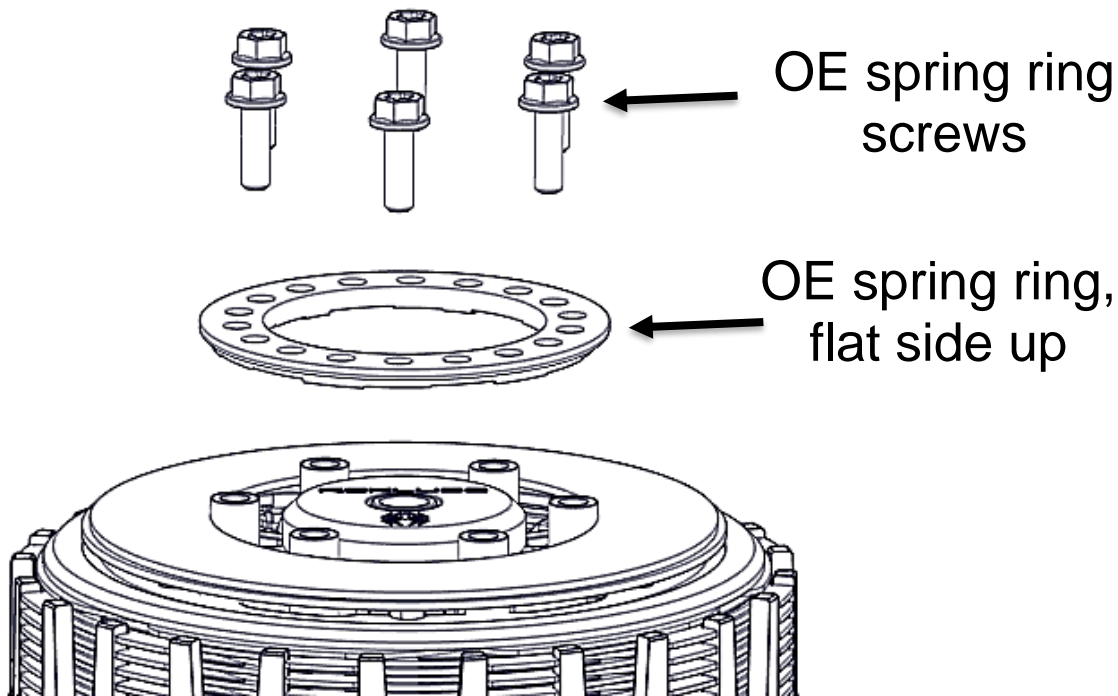
**Incorrect** – The Belleville spring is upside down.

4. Install the OE pressure ring with the flat side facing up, followed by the Rekluse pressure ring screws.



**NOTE:** There are 3 possible settings on the OE pressure ring that will be reused with the Rekluse Clutch system. These settings will be listed as I, II, III or X, Y, Z depending on model. To select the correct setting, you must refer to the setup sheet for optimized performance. The thickness measurement of the Rekluse clutch pack will determine the setting to be used on the OE pressure ring.

**Clutch damage can occur if you do not use the correct OE pressure ring setting as stated in the Rekluse set-up sheet.**

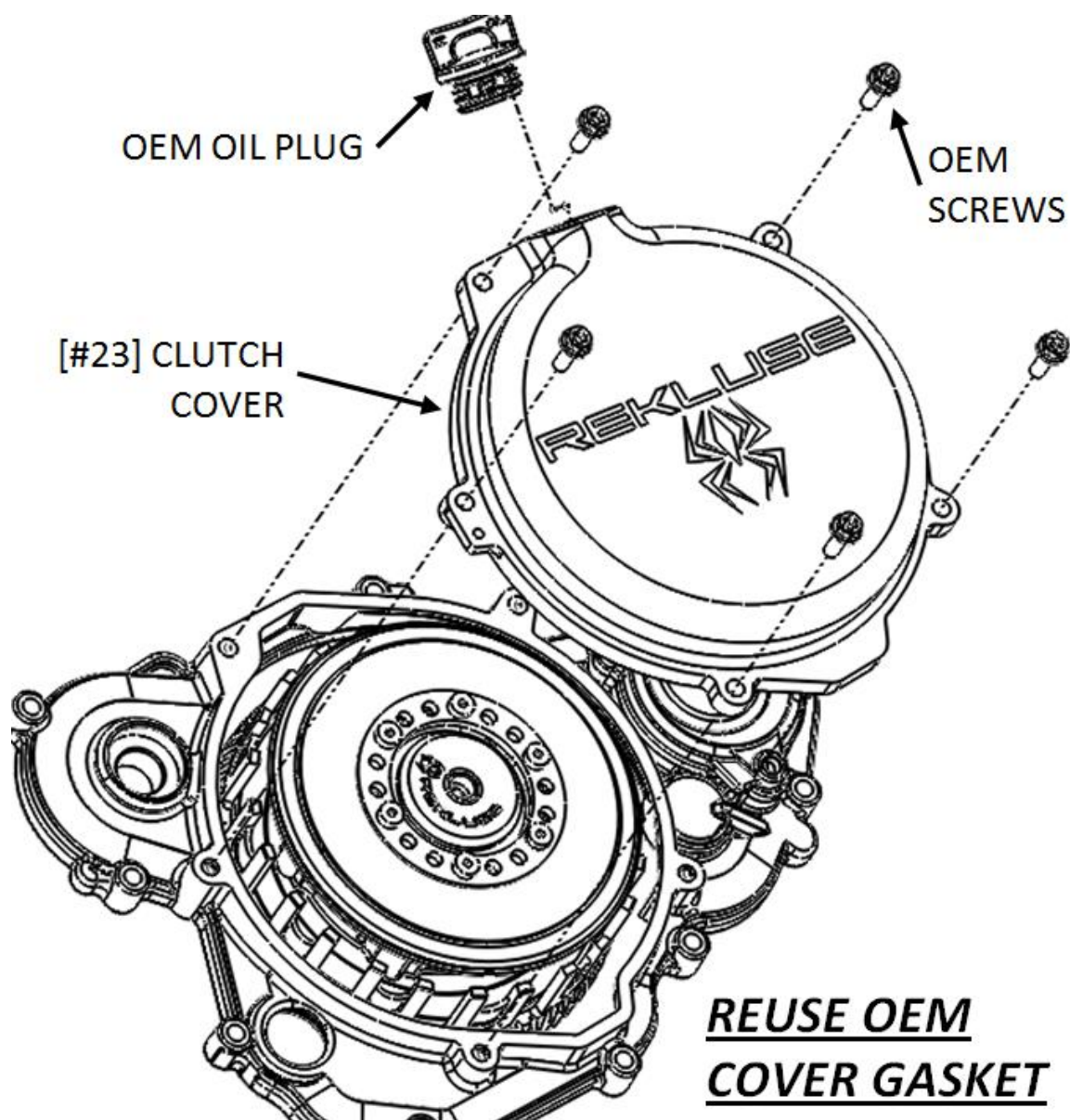


**⚠ CAUTION**

**DO NOT over-torque** the screws, or damage to the screw heads will occur!

5. Torque the pressure ring screws to **55 in-lb (4.5 ft-lb) (6 N-m)**.
6. Install the OE cover gasket onto the Rekluse clutch cover, then install the cover onto the clutch.
7. Reinstall the clutch cover bolts in their proper location, then lightly tighten the cover bolts in small increments in a star pattern. Torque the cover bolts to OE specifications.

8. If your clutch cover has an oil fill plug and/or engine inspection plug, reinstall the plug.



## MAINTENANCE

### **Clutch wear**

Rekluse clutches are built using high quality materials but do wear based on the rider's use, type of terrain, and natural wear and tear.

- Clutch longevity and performance is greatly increased with oil quality and other bike factors that reduce engine heat.
- Riding style, such as speed, engine RPM, and terrain can also effect the life of the clutch.
- To keep your clutch performing at its best, perform regular maintenance on your bike and clutch based on your riding style.

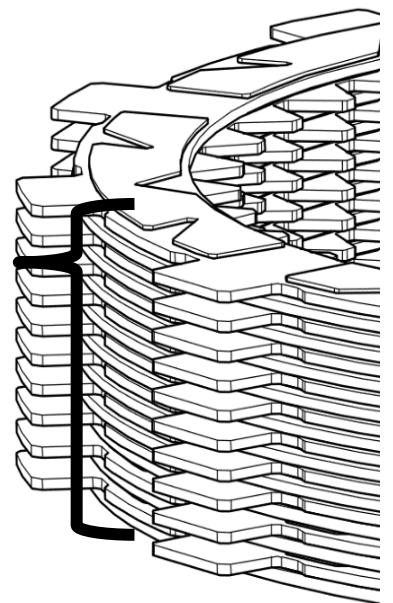
- The maintenance range is based on an average rider's moderate use. If you ride in extreme environments or riding conditions, use the lower end of the range for best performance.

## Clutch parts

Inspect all of your clutch parts at regular intervals for signs of wear or excessive heat, and replace components as necessary.

- The OE spring ring can be optimized based on the wear and height of the clutch pack. **See the Setup Sheet at the back of the manual for specific clutch pack information and measurements.**
- Repeat the break-in procedure anytime you replace the frictions disks. Always soak new friction disks in fresh oil before installing.
- Measuring the clutch pack can help determine if the components need replacing. The clutch pack is measured with the entire clutch pack together. Include the friction pad in the measurement.
- Disk inspection examples are found in the following section.

Measure entire clutch pack including the friction pad.



## Preventive Maintenance

- Use clean, quality oil that meets JASO-MA or JASO-MA2 oil rating requirements.
- Keep up with regular oil changes as per the bike manufacturer's recommendations. Clutch performance and longevity depend on oil quality.
- Change the oil filter and/or clean the oil screen with every oil change.

- **Disk inspection examples:** When inspecting the clutch pack, the following pictures can be used as a reference. **These are best viewed in color by viewing this install document on our website at [www.rekluse.com/support](http://www.rekluse.com/support).**

**Drive Plates** – If the clutch pack is getting high amounts of heat, purple, blue, or black color can be seen on the drive plate teeth. See pictures below. Not all drive plates look the same and may look different than pictured.



Normal Heat

High Heat  
(Blue)

Excessive Heat  
(Black)

**Friction Disks** – Due to the dark color of the friction material, the friction disks will appear almost black as soon as they are put in oil. During inspection, look for glazing of the friction material. Glazing will appear shiny and feel like glass, even after oil is cleaned from the friction disk. Not all friction disks look the same and may look different than pictured.



Normal Friction



Glazed Friction



# **NEED ADDITIONAL HELP?**

## **Website**

[www.rekluse.com/support](http://www.rekluse.com/support)

## **Frequently Asked Questions**

[www.rekluse.com/faq](http://www.rekluse.com/faq)

## **Support Videos**

[www.rekluse.com/support/videos](http://www.rekluse.com/support/videos)

## **Phone**

(208) 426-0659

## **Technical Support**

Contact Technical Support for questions related to product installation, tuning, and performance.

Hours:

Monday thru Friday: 8:00 a.m. - 5:00 p.m.

Mountain Time zone

Email: [tech@rekluse.com](mailto:tech@rekluse.com)

## **Customer Service**

Contact Customer Service for additional product information, orders, and returns.

Hours:

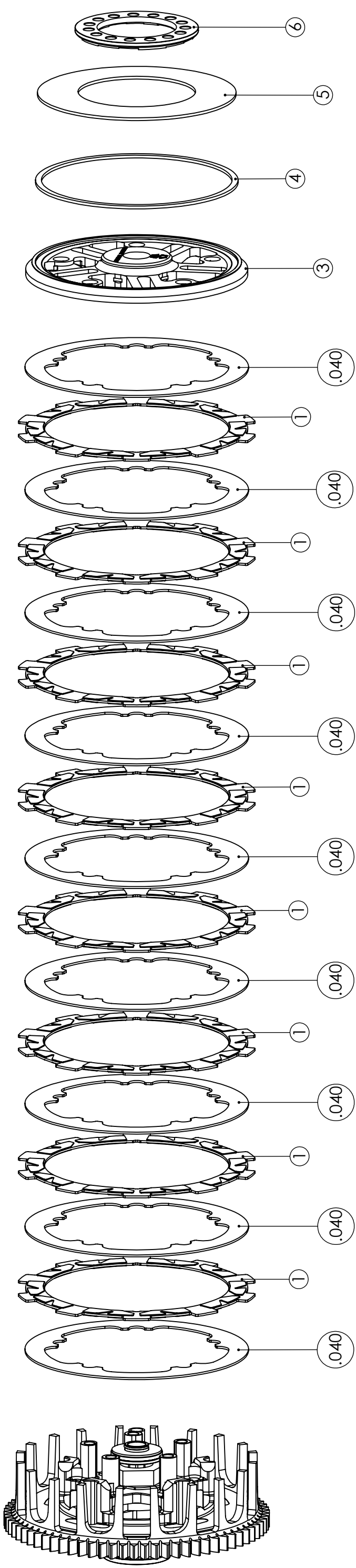
Monday thru Friday: 8:00 a.m. - 5:00 p.m.

Mountain Time zone

Email: [customerservice@rekluse.com](mailto:customerservice@rekluse.com)



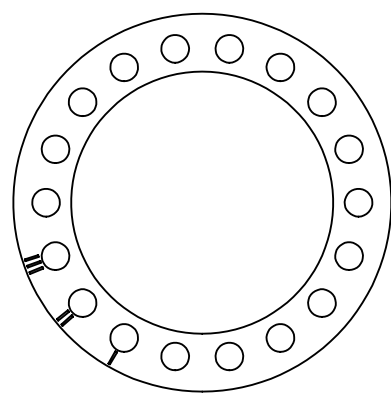
# SETUP SHEET 198-7113191



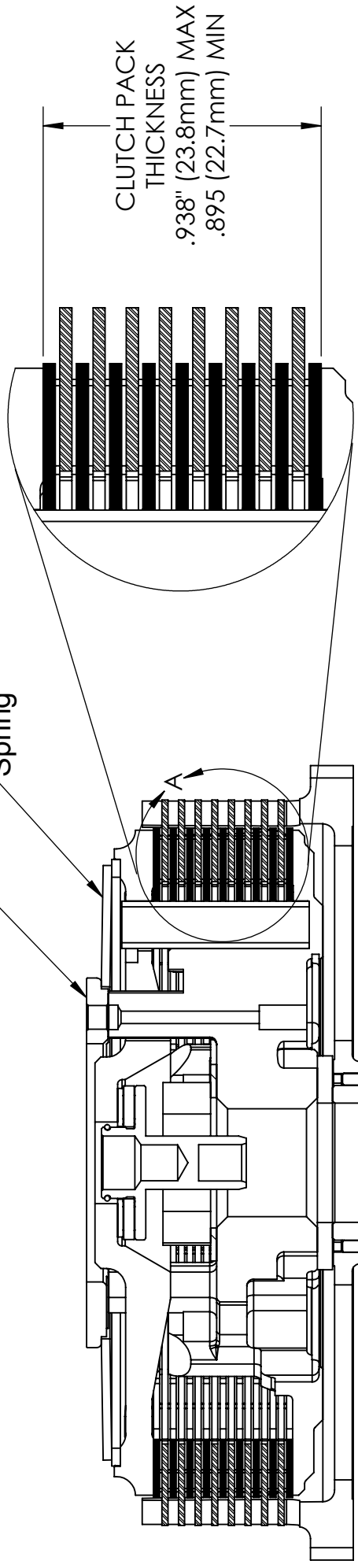
ITEM NO.	PART DESCRIPTION	QTY.
1	FRICITION - TORQDRIVE	8
.040	DRIVE PLATE .040"	9
3	PRESSURE PLATE	1
4	STOCK SLIDER RING	1
5	STOCK BELLVILLE SPRING	1
6	STOCK SPRING RING	1

The OEM spring ring has different settings to account for variances in the clutch pack and wear. The optimal setting depends on the thickness of the clutch pack. In general, MORE preload on the spring results in LESS clamping force, which in turn provides a lighter lever pull and less aggressive clutch performance. LESS preload on the other hand provides MORE clamping force, a heavier clutch pull, and more aggressive clutch performance. See the "Spring Ring Optimization Table" for recommended optimized setting based on clutch pack thickness.

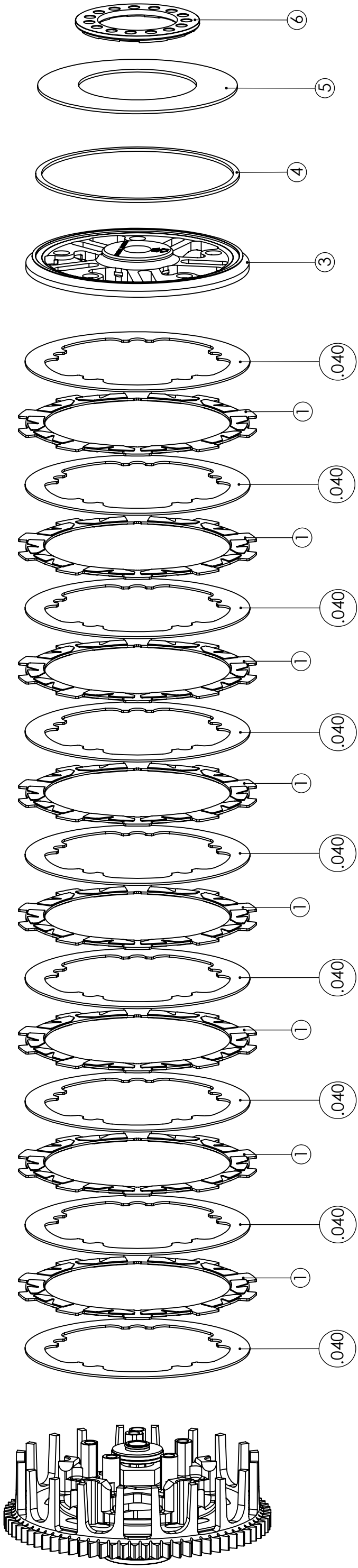
Spring Ring



Spring Ring  
Spring

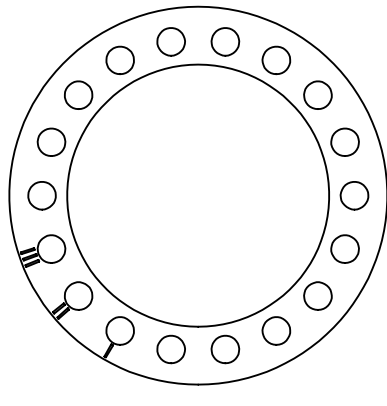


# SETUP SHEET 198-7113191

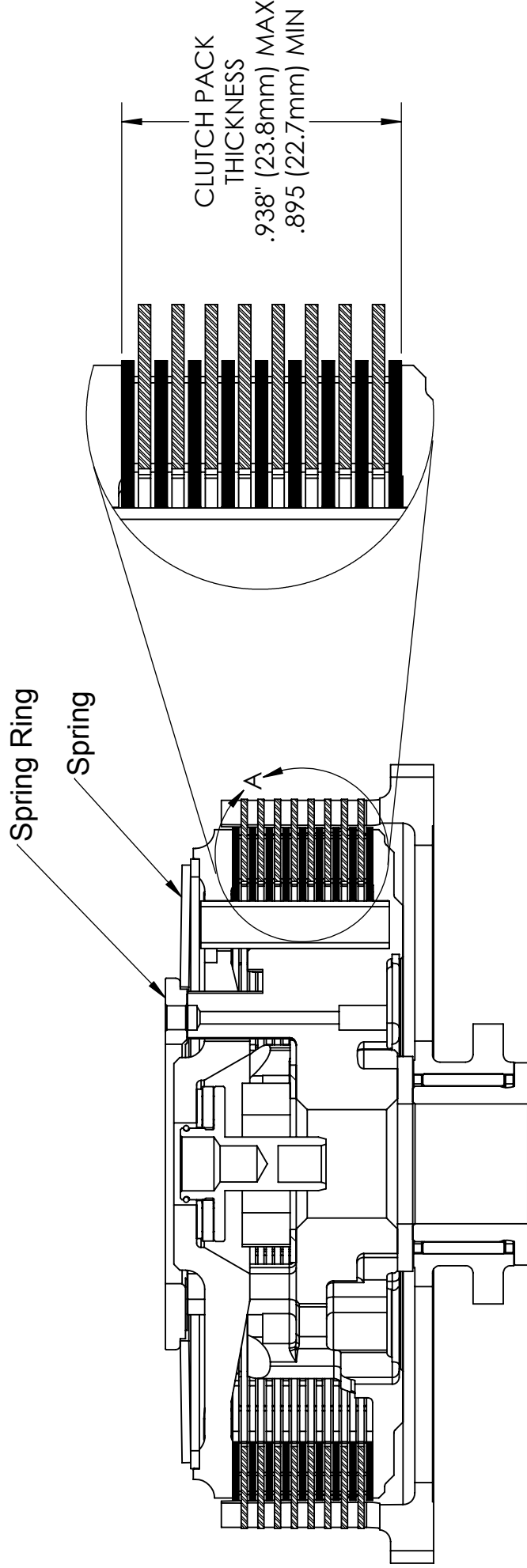


ITEM NO.	PART DESCRIPTION	QTY.
1	FRICITION - TORQDRIVE	8
.040	DRIVE PLATE .040"	9
3	PRESSURE PLATE	1
4	STOCK SLIDER RING	1
5	STOCK BELLVILLE SPRING	1
6	STOCK SPRING RING	1

The OEM spring ring has different settings to account for variances in the clutch pack and wear. The optimal setting depends on the thickness of the clutch pack. In general, MORE preload on the spring results in LESS clamping force, which in turn provides a lighter lever pull and less aggressive clutch performance. LESS preload on the other hand provides MORE clamping force, a heavier clutch pull, and more aggressive clutch performance. See the "Spring Ring Optimization Table" for recommended optimized setting based on clutch pack thickness.



Spring Ring



PACK THICKNESS [IN/mm]	SPRING RING SETTING
.926-.938 (23.5-23.8)	III OR Z
.914-.926 (23.2-23.5)	II OR Y
<.914 (<23.2)	I OR X