



REKLUSE[®] CoreManual[™]

REKLUSE MOTOR SPORTS

The Rekluse Core Manual Kit for KTM CSS Clutches

INSTALLATION & USER'S GUIDE

Doc ID: 191-7005A

Doc Rev: 040919

OVERVIEW

- This kit will reuse all 8 OEM friction disks, plus one extra supplied disk, but will replace all OEM steel drive plates with Rekluse TEC drive plates. Overall, the final clutch pack will have 9x friction disks and 10x Rekluse TEC drive plates.
- Only 6 of the 12 OEM drive pins will be reinstalled.

INSTALLATION TIPS

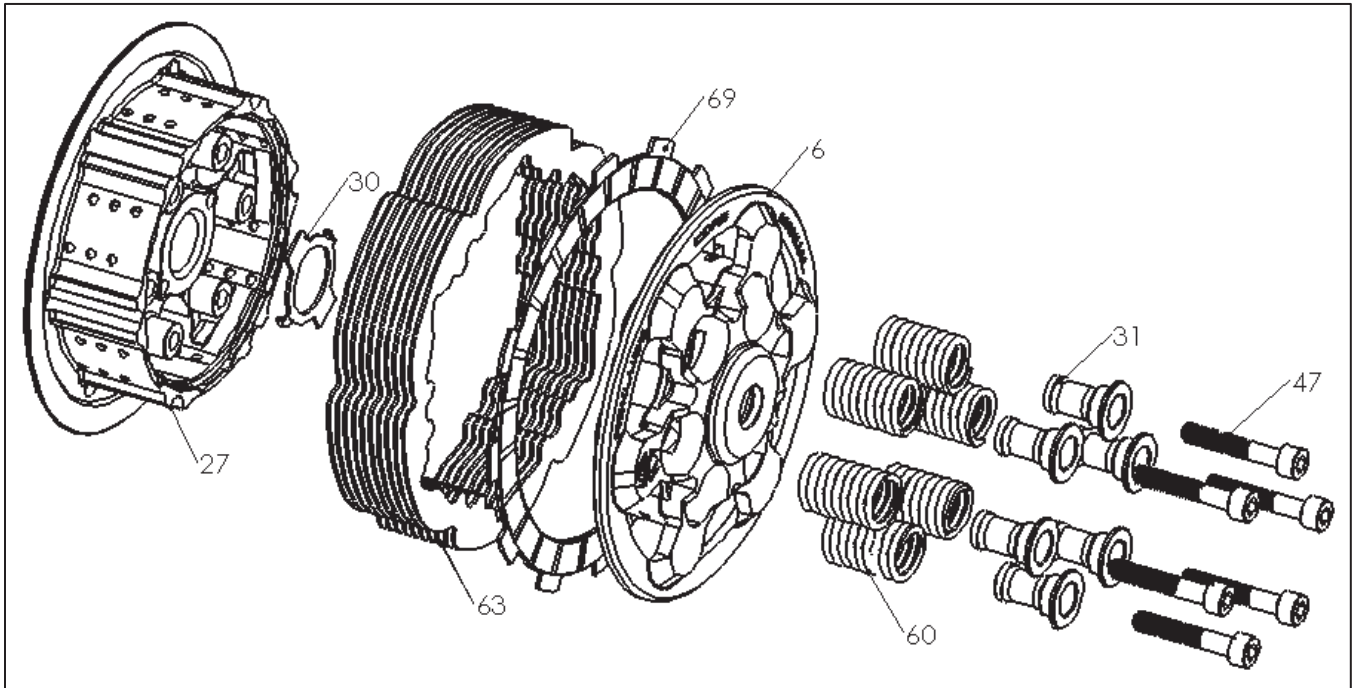
- Be sure to use proper eye protection
- Laying the bike on its left side allows for easy clutch access and eliminates the need to drain oil
- An air or electric impact wrench works well to remove the center clutch nut, or you can place the bike in top gear and hold the rear brake while loosening the center clutch nut with a socket
- Channel-lock style pliers work best to bend the tabs of the washer up over the center clutch nut
- For optimal clutch performance Rekluse recommends using fresh, clean oil that **meets JASO-MA** oil rating requirements. Rekluse offers Factory Formulated Oil[™] developed specifically for Rekluse products. Rekluse Factory Formulated Oil is a perfect complement to any OEM or aftermarket wet clutch. Visit www.rekluse.com to learn more.

TOOLS NEEDED

- 8mm socket
- 27mm socket
- Torque wrench (in-lb & ft-lb, or N-m)
- Channel-lock pliers

©2014 Rekluse Motor Sports
Rekluse Motor Sports, Inc.
12000 W Franklin Rd
Boise, Idaho 83709
208-426-0659
support@rekluse.com

INCLUDED PARTS

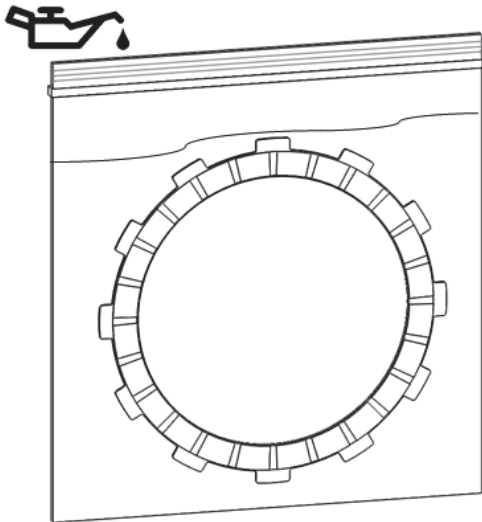


| Item | Item Type | Qty |
|------|-------------------------------------|-----|
| 6 | Pressure Plate | 1 |
| 27 | Center Clutch Hub | 1 |
| 30 | Lock Tab Washer | 1 |
| 31 | Screw Sleeve | 6 |
| 47 | Fastener – M6 Pressure Plate Bolt | 6 |
| 60 | Pressure Plate Spring | 6 |
| 63 | Steel Drive Plate (TEC Drive Plate) | 10 |
| 69 | KTM Friction Disk (OEM) | 1 |

Visit Rekluse.com/support for a full parts fiche illustration and part numbers.

BIKE PREP & DISASSEMBLY

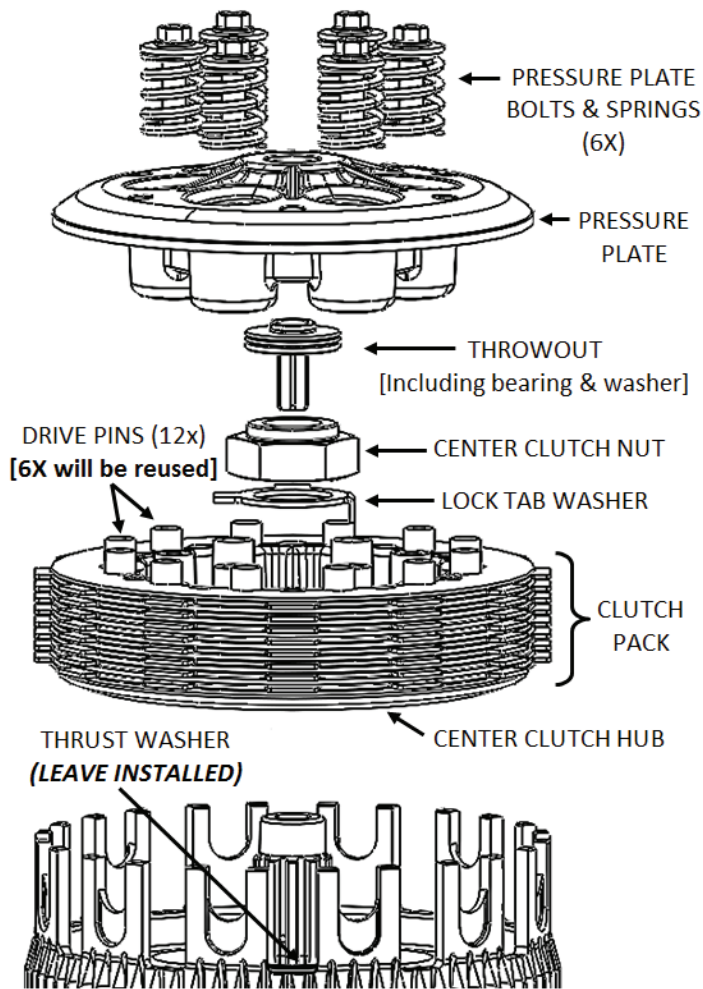
1. Soak the supplied friction disk in engine oil for 5 minutes.



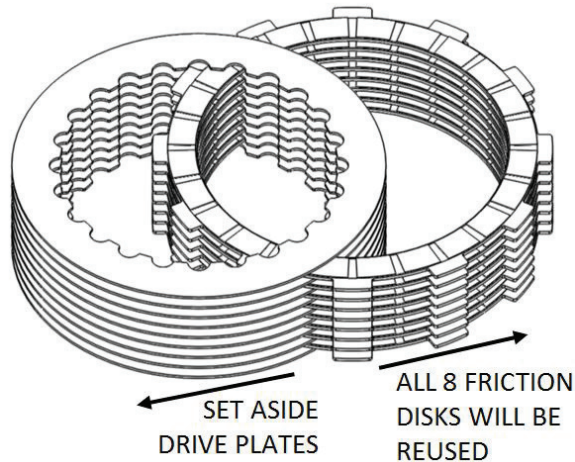
2. Lay the bike on its left side. Catch any fuel that might drain in a suitable container. Remove the clutch cover.



3. Remove the OEM clutch parts named in the following diagram down to the thrust washer. Leave the thrust washer installed in the basket.



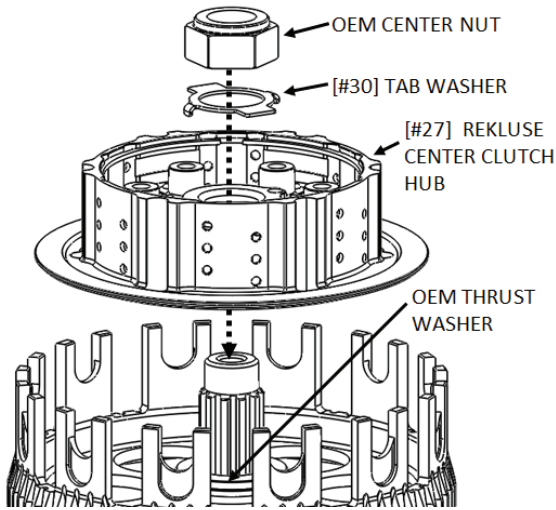
4. Separate the OEM clutch pack.



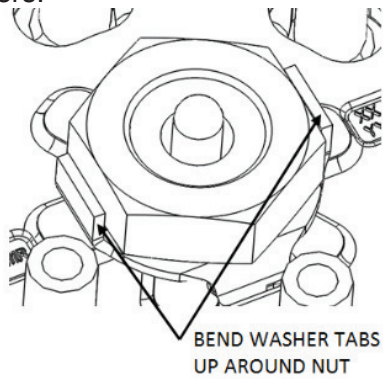
NOTE: Inspect your friction disks for excessive wear or discoloration. If they look or smell burnt, replace them before continuing this installation.

INSTALLATION

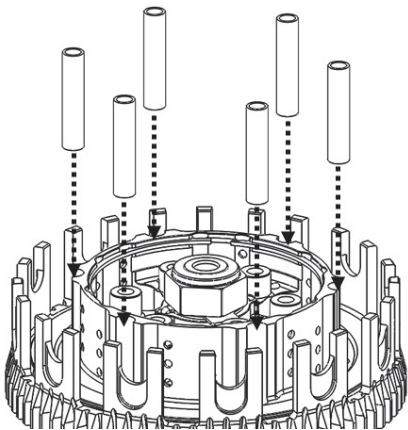
5. Install the new Center Clutch Hub, making sure the OEM thrust washer is in place.



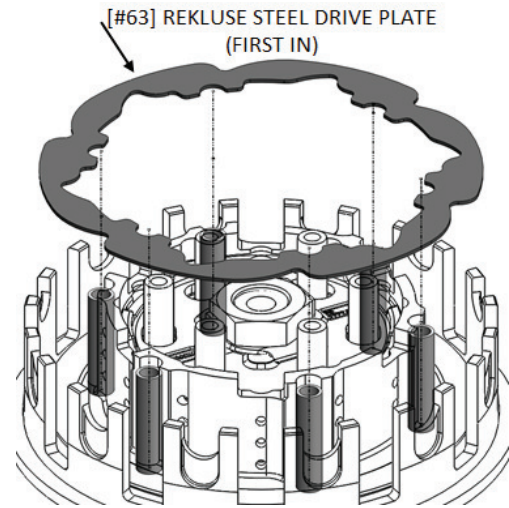
6. Torque the nut to OEM specification, and bend up **both** tabs of the tab washer using channel-lock pliers.



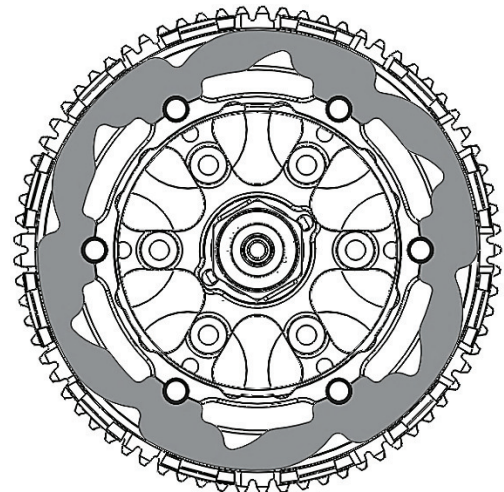
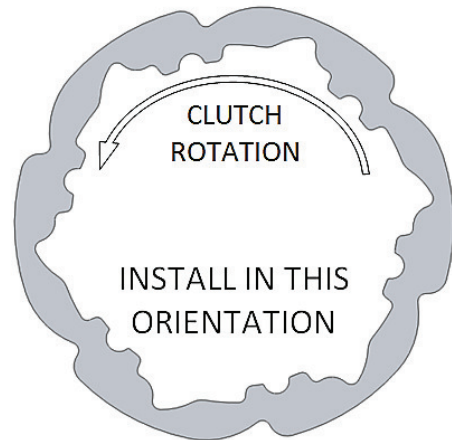
7. Seat 6 of the OEM drive pins into the hub.



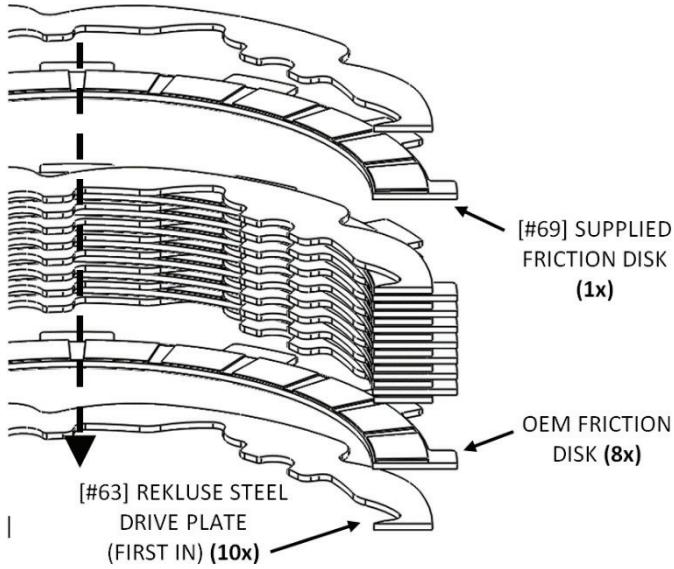
8. Install the first TEC drive plate in the orientation shown (all drive plates will follow this orientation).



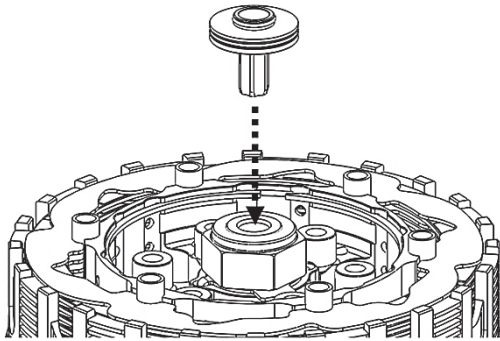
NOTE: Proper orientation of the drive plates is *critical* for optimal clutch performance. If you install them backwards, the clutch will still function but will lack proper modulation performance.



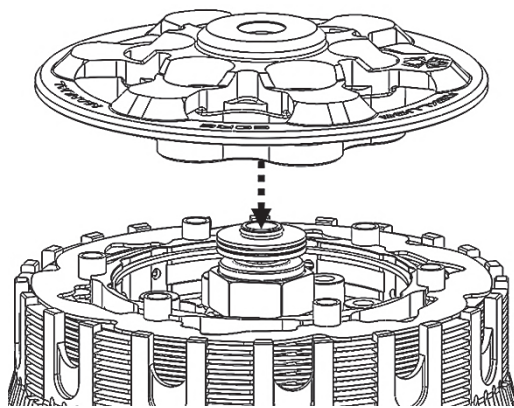
9. Install the rest of the clutch pack, noting the number and order of plates shown.



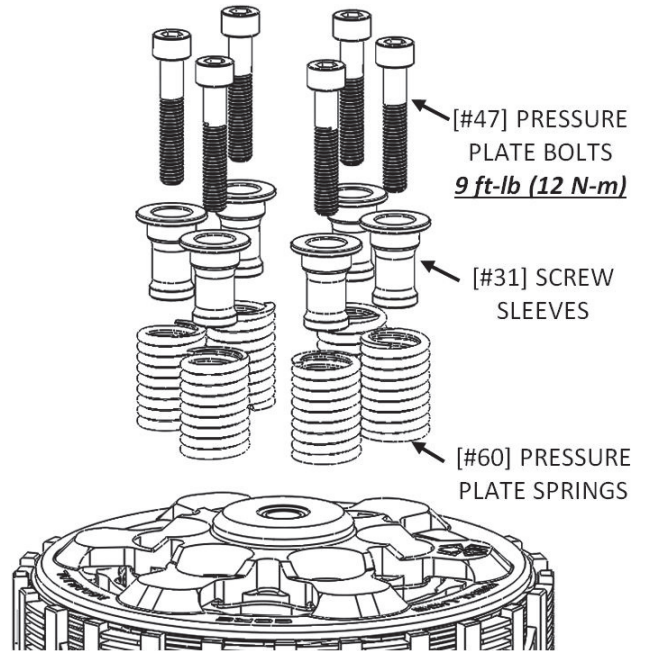
10. Reinstall the OEM throwout.



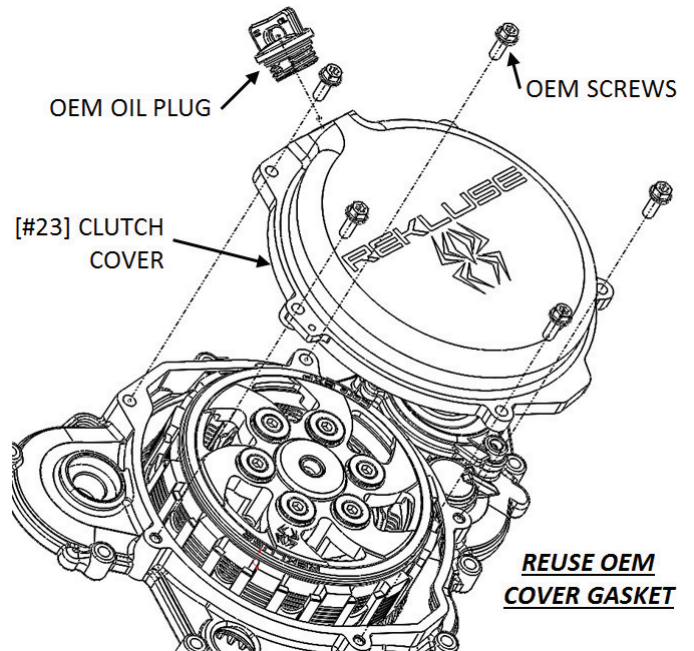
11. Install [#6] Rekluse Pressure Plate.



12. Install the Rekluse pressure plate springs and torque the pressure plate bolts.
Do not reuse the OEM springs!



13. Reinstall the clutch cover, torqueing the cover bolts to OEM specification. If using the Rekluse clutch cover, reinstall using the OEM cover gasket.



MAINTENANCE

- Inspect all of your clutch parts at regular maintenance intervals for signs of wear or excessive heat, and replace components as necessary.
- Keep up with regular oil changes and other bike maintenance. For optimal clutch performance Rekluse recommends using fresh, clean oil that **meets JASO-MA** oil rating requirements. Clutch longevity and performance is greatly increased with oil quality and other bike factors that reduce engine heat.



©2013 Rekluse Motor Sports
Rekluse Motor Sports, Inc.
12000 W Franklin Rd
Boise, Idaho 83709
208-426-0659
support@rekluse.com