



REKLUSE[®]
CoreManual[™]

INSTALLATION & USER'S GUIDE

CoreManual Kit

Doc ID: 191-7010A
Revision: 032621

Table of Contents

OVERVIEW	2
INSTALLATION TIPS	2
TOOLS.....	3
INCLUDED PARTS	4
DISASSEMBLE CLUTCH.....	5
INSTALL THE HUB	7
INSTALL THE CLUTCH PACK	9
Notes for Clutch Pack Installation:	9
FINISH INSTALLTION.....	11
BREAK IN	12
MAINTENANCE.....	12
NEED ADDITIONAL HELP?.....	13

OVERVIEW

This kit replaces OE (Original Equipment) or “stock” core clutch components including the center clutch hub and pressure plate with high-quality billet components designed for optimal performance specific to your bike.

- All OE steel drive plates will be replaced with Rekluse drive plates.
- Most or all of the OE friction disks will be reused.
- Some kits may even include an extra stock friction disk, if the Rekluse CoreManual clutch will employ more friction disks than the stock clutch.

INSTALLATION TIPS

- Read the separate included Safety Information document before operating the vehicle with the product installed.



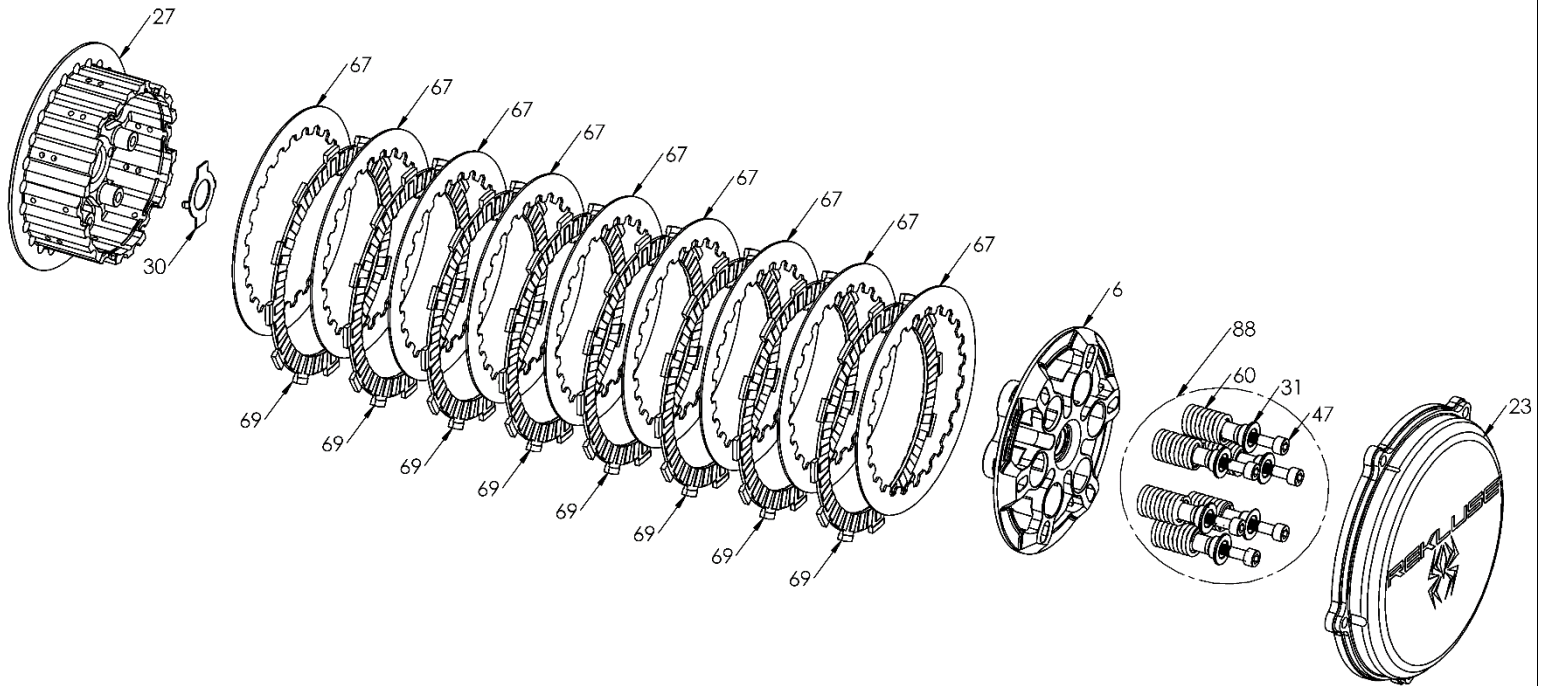
- Read this entire document before performing any steps.

- If you install this product for a customer or another person, instruct them to read the **Safety Information** document and the **Installation and User Guide** before operating the vehicle with the product.
- Protect eyes and skin – wear safety glasses and work gloves.
- Lay the bike on its left side when replacing the clutch. This makes working on the clutch easier and eliminates the need to drain the oil.
- Use an air or electric impact wrench to remove the center clutch nut. If one is not available, you can place the bike in top gear and hold the rear brake while loosening the center clutch nut with a socket and breaker bar.
- Channel-lock pliers work best to bend the tabs of the washer up over the center clutch nut.
- For optimal clutch performance Rekluse recommends using fresh, clean oil that **meets JASO-MA** oil rating requirements. Rekluse offers Factory Formulated Oil™ developed specifically for Rekluse products. Rekluse Factory Formulated Oil is a perfect complement to any OEM or aftermarket wet clutch. Visit www.rekluse.com to learn more.
- Use the torque values listed in the instructions. Otherwise, use the torque specifications found in your OE service manual.
- Inspect your OE cable for fraying and replace if needed.

TOOLS

- Metric socket set (at least 8 mm & 10 mm)
- 27 mm, 29 mm or 30 mm socket (for stock center clutch nut removal)
- 1¼" or 32 mm socket (for Rekluse center clutch nut installation, if included)
- Torque wrench (in-lb & ft-lb, or N-m)
- Channel-lock pliers

INCLUDED PARTS



Item	Description	Qty.
27	Center clutch hub	1
30	Lock-tab washer	1
67	Steel Drive plates	9
6	Pressure plate	1
88	Core clutch spring assembly	1
60	Pressure plate springs	6
31	Screw sleeves	6
47	Socket head cap screws	6
69	OE style friction disk*	8
23	Clutch Cover (some models only)	1
Not shown	O-ring cord for use a clutch cover seal (some models only)	1

*Quantities may vary depending on bike model. Refer to the setup sheet for your specific bike model to see the appropriate clutch plate stack and quantities. Visit www.rekluse.com/support for a full parts fiche illustration and part numbers.

DISASSEMBLE CLUTCH

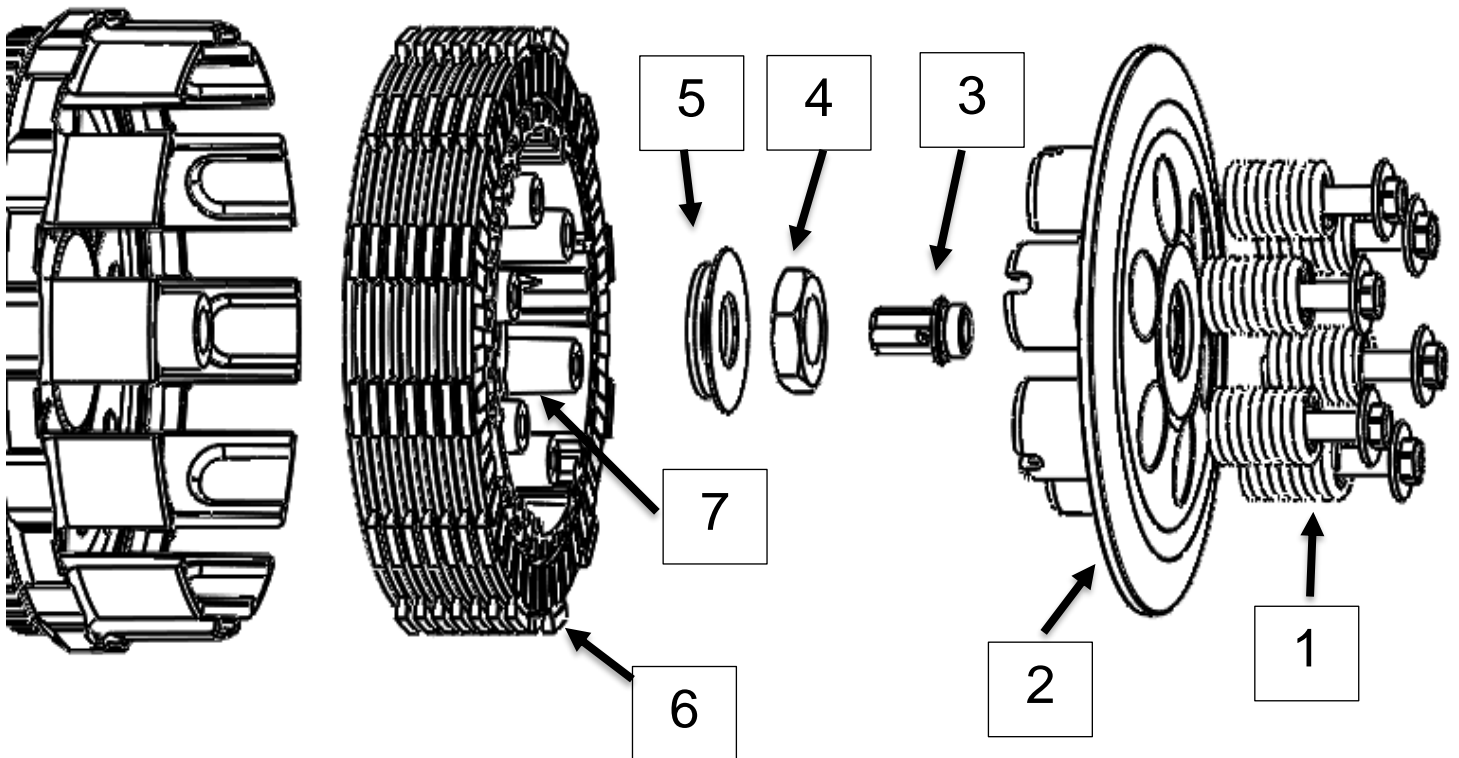
1. Lay the bike on its left side. Catch any fuel that might drain in a suitable container.

2. If your clutch cover has an oil fill plug and/or engine inspection plug, loosen them before removing the clutch cover.



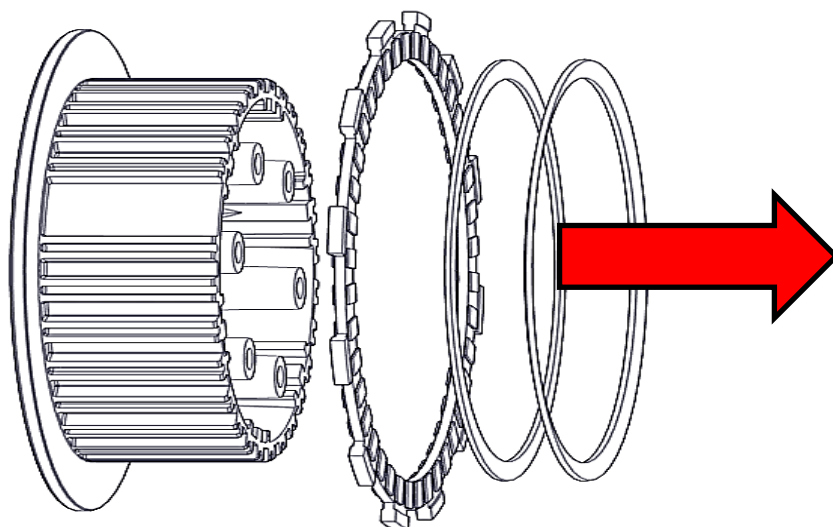
3. Using a socket, remove the OE clutch cover.

4. Remove the following OE parts from the clutch basket.



Item	Description
1	Pressure plate springs and bolts
2	Pressure plate
3	Throw-out
4	Center clutch nut
5	Lock washer(s)
6	OE Clutch pack
7	OE inner hub

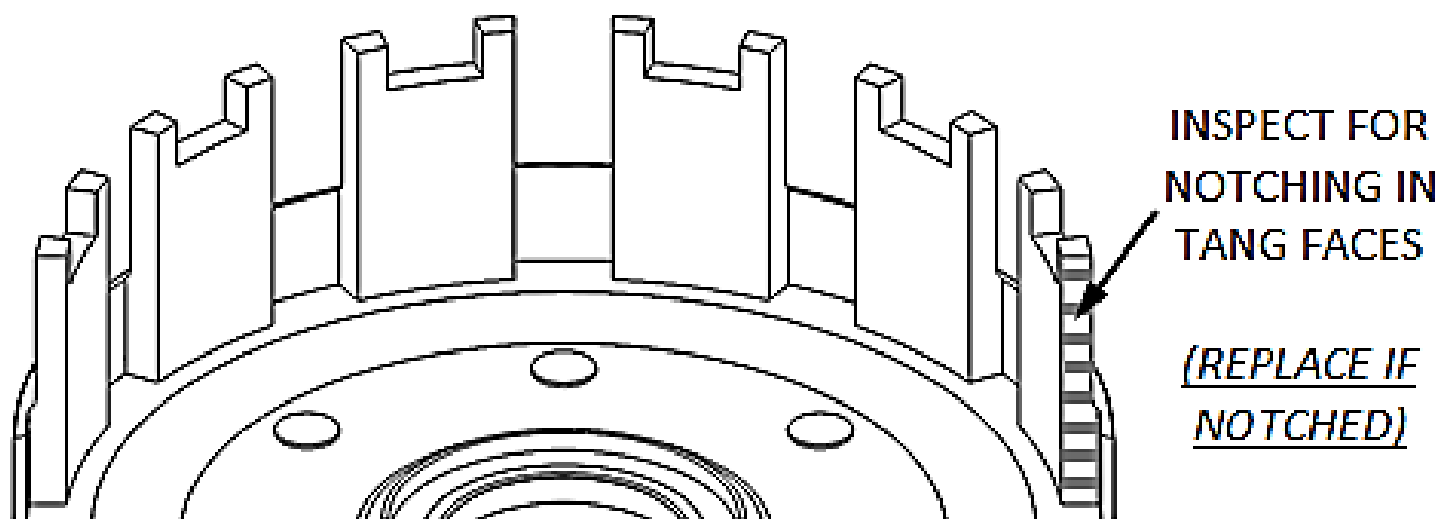
5. Along with the clutch pack, remove the judder (boss) spring, seat, and narrow friction from the clutch basket. refer to the products setup sheet to see if these are reused.



6. Inspect the clutch basket for damper/cushion play or notching.

⚠ WARNING

Failure to inspect the basket and replace if necessary could result in death, serious injury, and/or property damage.



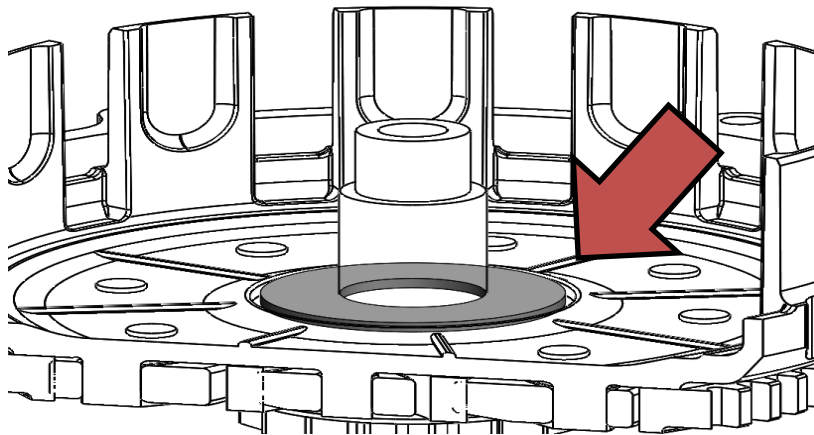
Note: If the basket is notched or worn, Rekluse recommends replacing it with a Rekluse Billet Clutch Basket (available for most models).



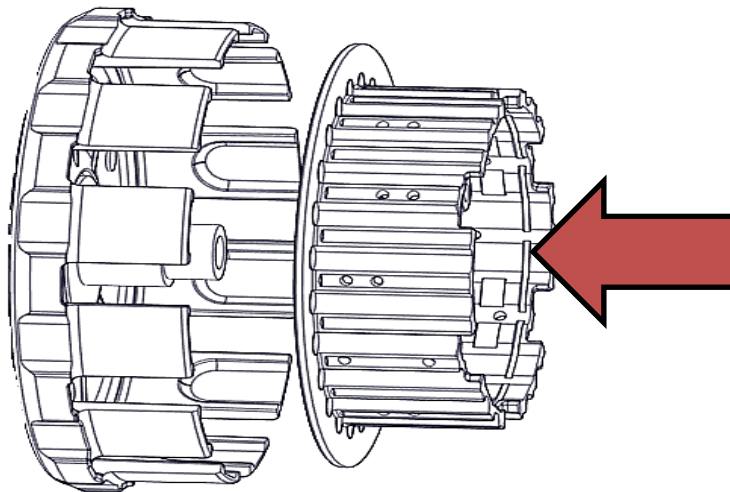
INSTALL THE HUB

1. Check to make sure the OE thrust washer is still on the main shaft.

Note: *If the OE thrust washer is missing, it might be stuck to the bottom of the OE center hub assembly. The thrust washer must be installed or clutch performance issues will result.*



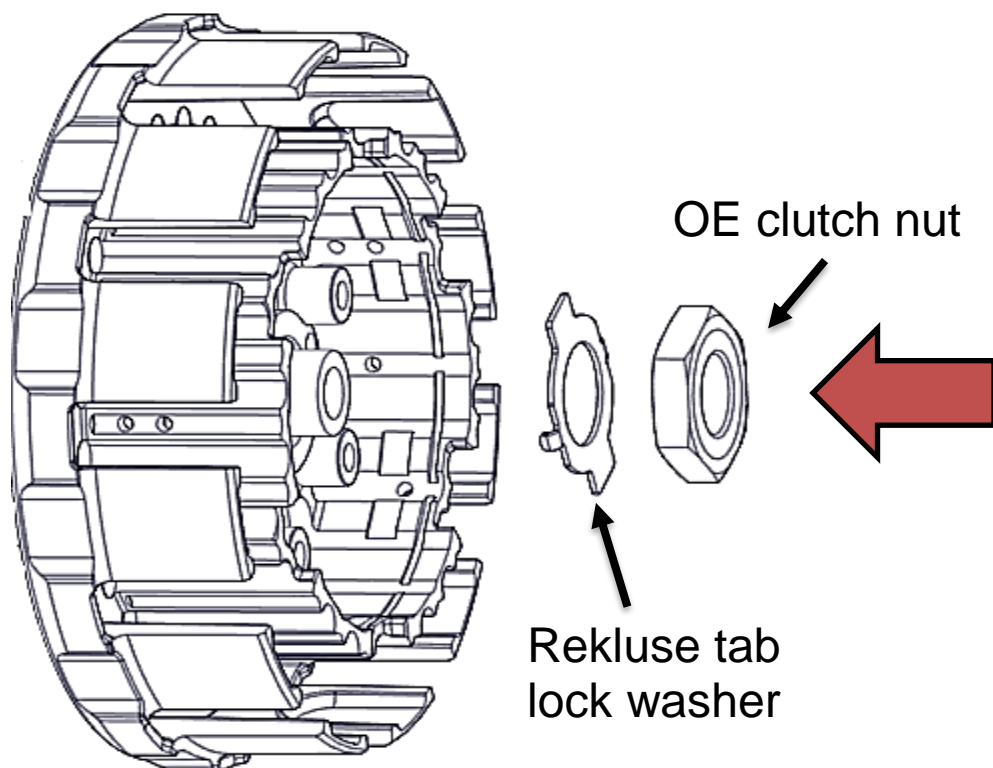
2. Install the new Rekluse center hub into the clutch basket.



3. Install the new Rekluse tab washer with the bent tabs facing down, aligning with the holes in the hub. *Only use the supplied lock tab washer under the OE center clutch nut when installing the hub.*



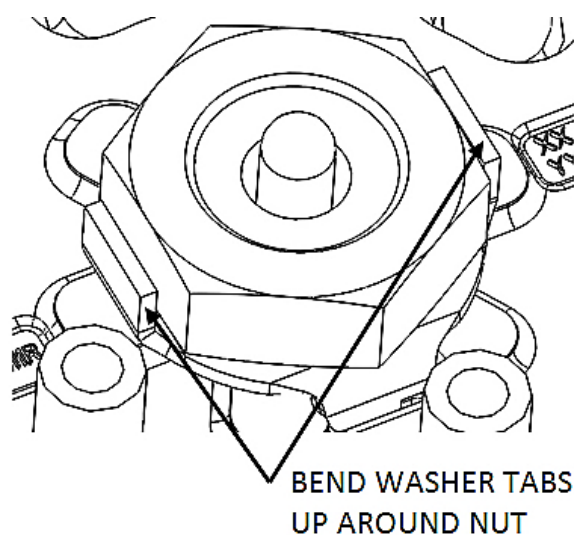
4. Install the OE center clutch nut.



5. Using the socket and torque wrench, torque the center clutch nut to **50 ft-lb (68 N-m)**.

Note: *Placing the bike in the highest gear and holding the rear wheel by applying the rear brake keeps the shaft from rotating when tightening the nut.*

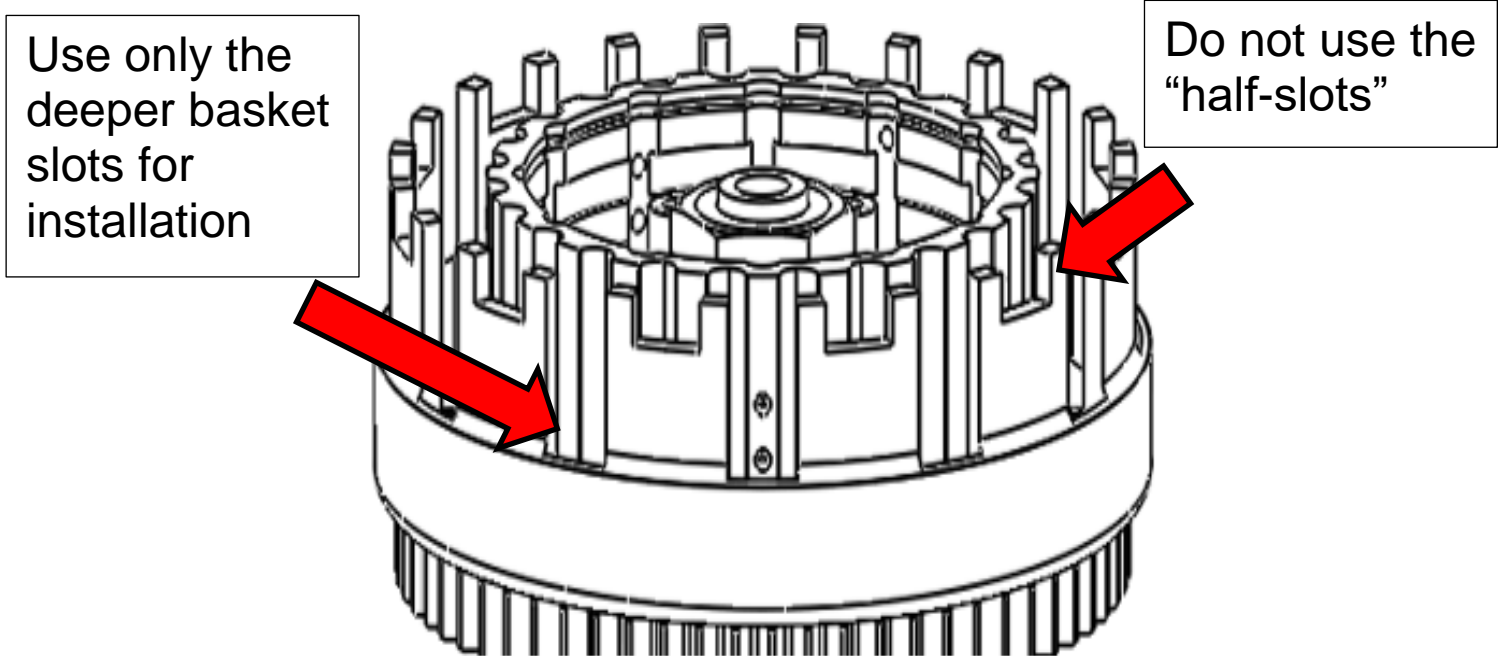
6. Using the channel-lock pliers, bend up **both** tabs of the tab washer tightly around the nut. The tabs can be bent on the straight sides or around the corners.



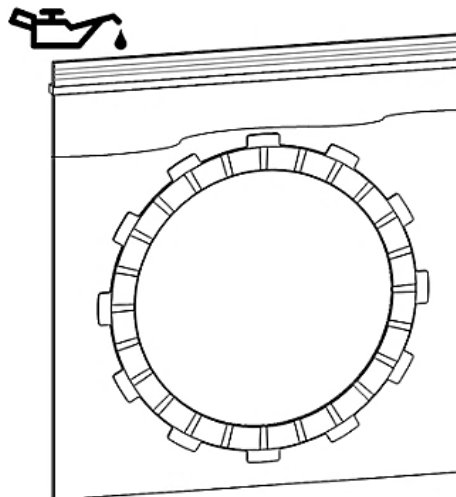
INSTALL THE CLUTCH PACK

Notes for Clutch Pack Installation:

- Some friction disks are marked with a small colored dot. This mark is used for processing and can be ignored.
- Some OE basket have “half slots” at the top of the basket tangs. Rekluse products require the entire clutch pack be installed into the MAIN (deeper) basket slots. Installing the pack in the “half slots” will cause performance issues. See the following picture for reference.



1. If friction disks were included with your kit, place the included friction disks in engine oil to soak for at least 5 minutes.



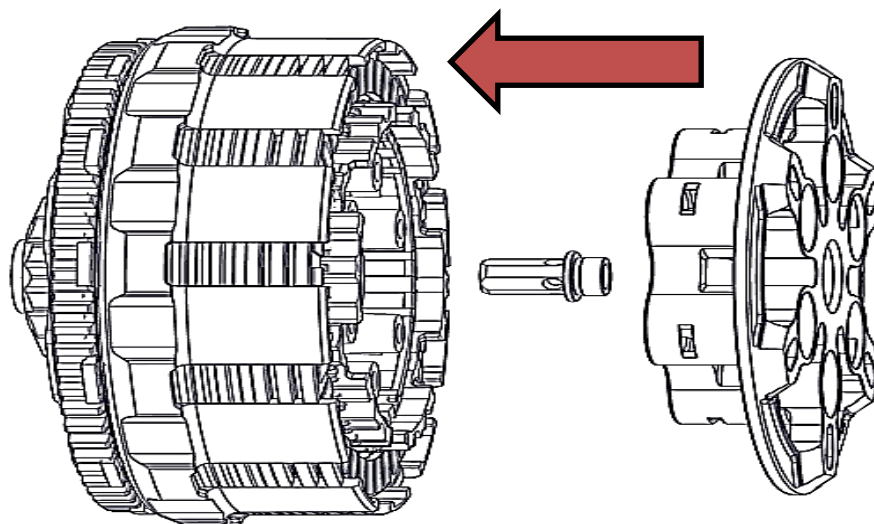
NOTE: Only some models will come with friction disks. Not all kits are supplied with them.

2. Install the drive plates and friction disks starting and ending with a drive plate.

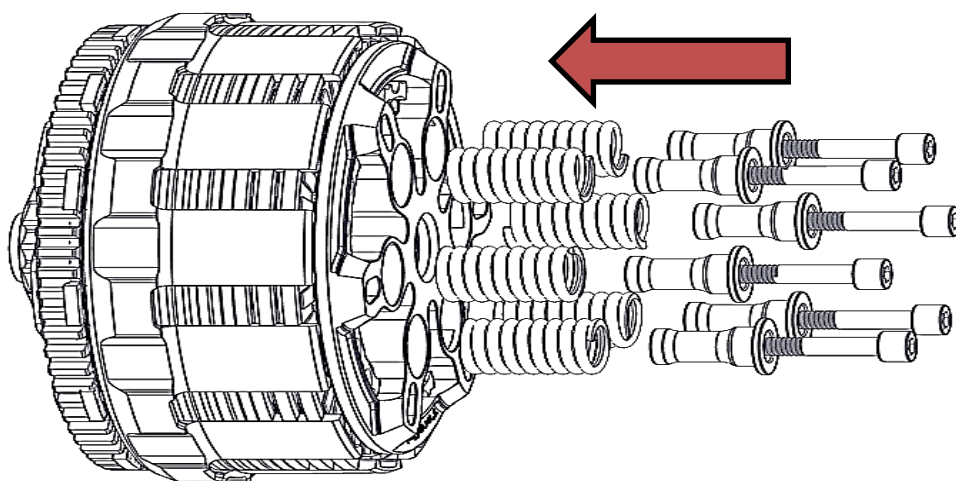
Note: *The clutch pack order varies based on bike. Refer to setup sheet for bike specific clutch pack stacks.*

Note: *Installing the judder spring is optional and the clutch pack can be installed without it. Installing the judder spring will reduce clutch noise, and may increase modulation slightly.*

3. Reinstall the OE throw-out, then install the Rekluse pressure plate.



4. Install the pressure plate springs, followed by the screw sleeves and socket head cap screws. Alternative spring options are available from Rekluse if desired. The springs provided are the recommended setting for optimum balance of performance and lever feel.



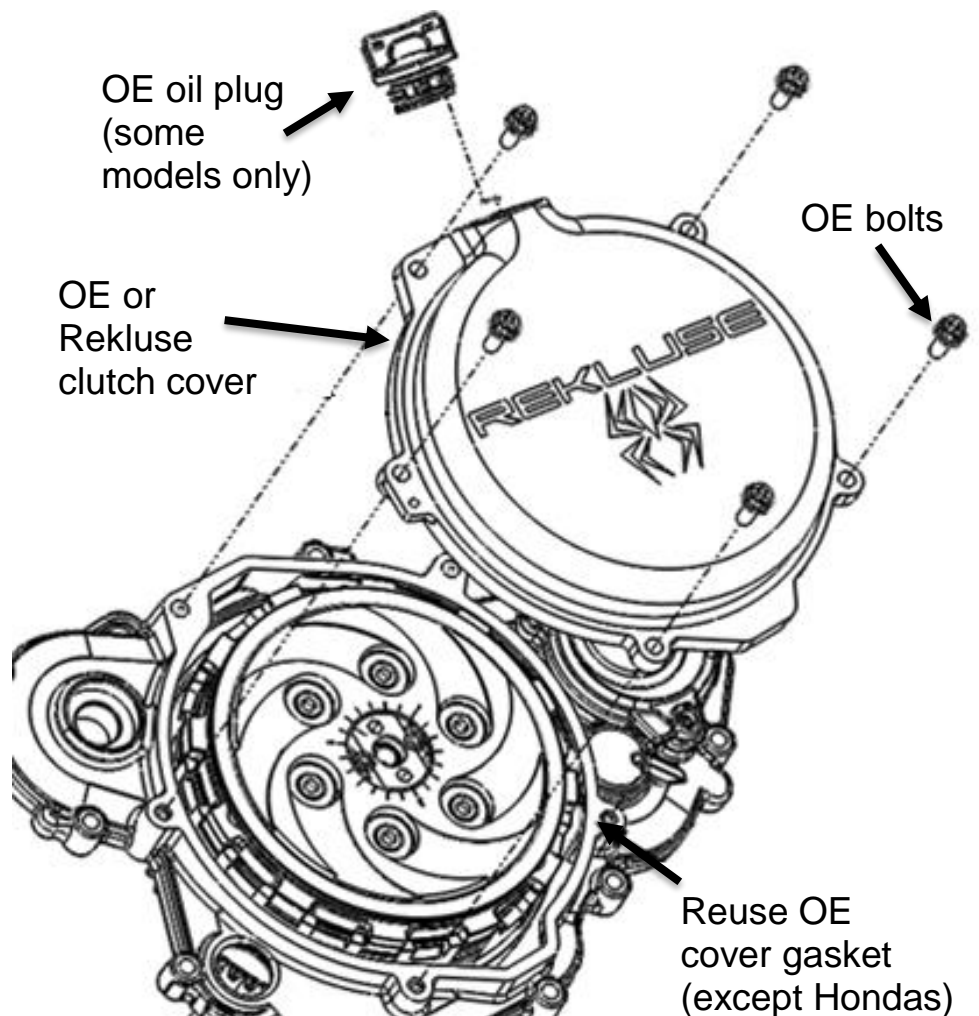
Note: *If two different spring colors are provided with your kit, be sure to alternate the springs by color in every other pocket.*

5. Use a torque wrench and socket to torque the cap screws by lightly tightening the screws in small increments. Torque the cap screws to 9 ft-lb (12 N-m).

FINISH INSTALLTION

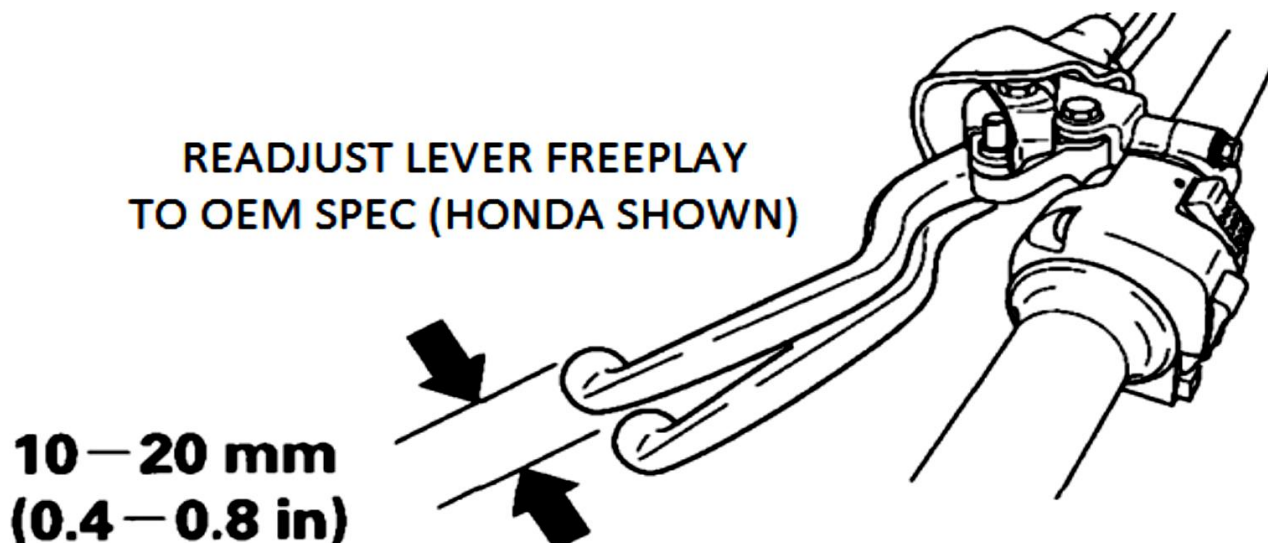
1. Most CoreManual kits fit under the stock clutch cover. However, if your kit comes with a Rekluse clutch cover, you will install it in place of the OE cover to avoid internal interference and engine damage.
 - A. If your kit did not come with a Rekluse clutch cover, reinstall the OE clutch cover.
 - B. If your kit came with a Rekluse clutch cover, install the OE cover gasket onto the Rekluse cover, then install the cover.

2. Reinstall the clutch cover bolts, then lightly tighten the cover bolts in small increments in a star pattern. Torque the cover bolts to OE specifications.



3. If your clutch cover has an oil fill plug and/or engine inspection plug, reinstall the plug.

4. Readjust lever free play to OE specification (10-20 mm).



BREAK IN

Break-in will occur over the first 1-2 hours of use, depending on the rider. During break-in more clutch drag may occur than normal.

MAINTENANCE

- Inspect all of your clutch parts at regular maintenance intervals for signs of wear or excessive heat, and replace components as necessary. Clutch wear is very dependent on the riders use, inspection interval may vary.
- Keep up with regular oil changes and other bike maintenance. For optimal clutch performance Rekluse recommends using fresh, clean oil that **meets JASO-MA** oil rating requirements. Clutch longevity and performance is greatly increased with oil quality and other bike factors that reduce engine heat.
- Replace friction disks regularly for best clutch component life, especially if they appear glazed and/or burnt upon inspection.

NEED ADDITIONAL HELP?

Website

www.rekluse.com/support

Frequently Asked Questions

www.rekluse.com/faq

Support Videos

www.rekluse.com/support/videos

Phone

(208) 426-0659

Technical Support

Contact Technical Support for questions related to product installation, tuning, and performance.

Hours:

Monday thru Friday: 8:00 a.m. - 5:00 p.m.

Mountain Time zone

Email: tech@rekluse.com

Customer Service

Contact Customer Service for additional product information, orders, and returns.

Hours:

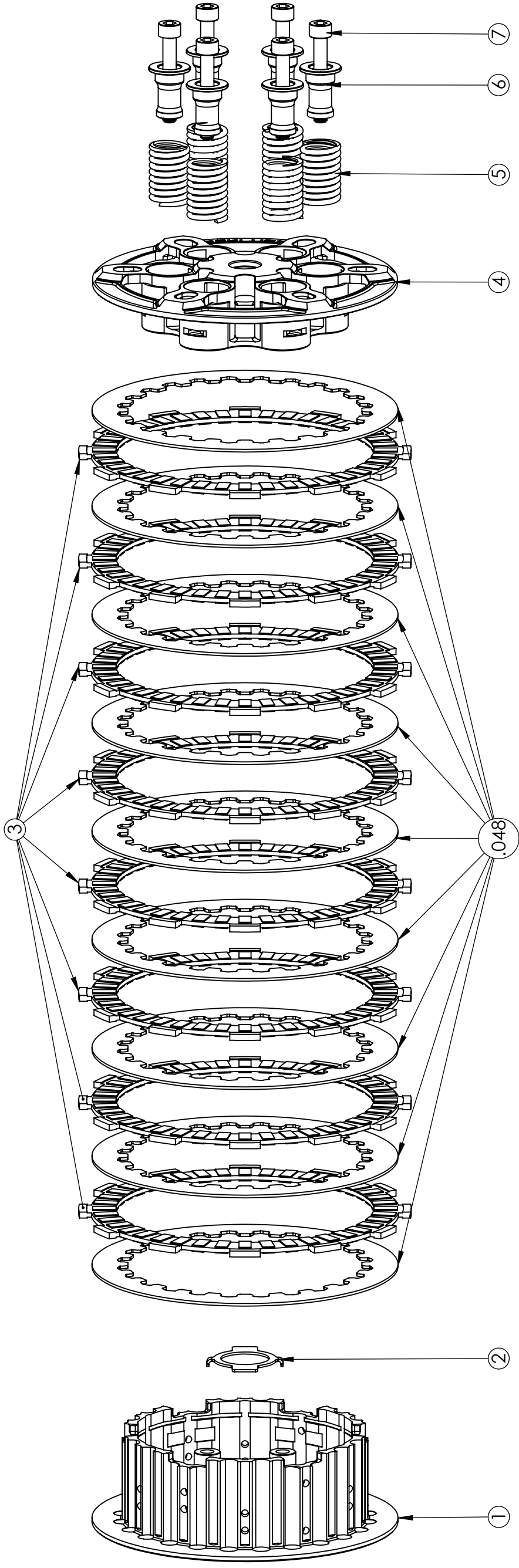
Monday thru Friday: 8:00 a.m. - 5:00 p.m.

Mountain Time zone

Email: customerservice@rekluse.com

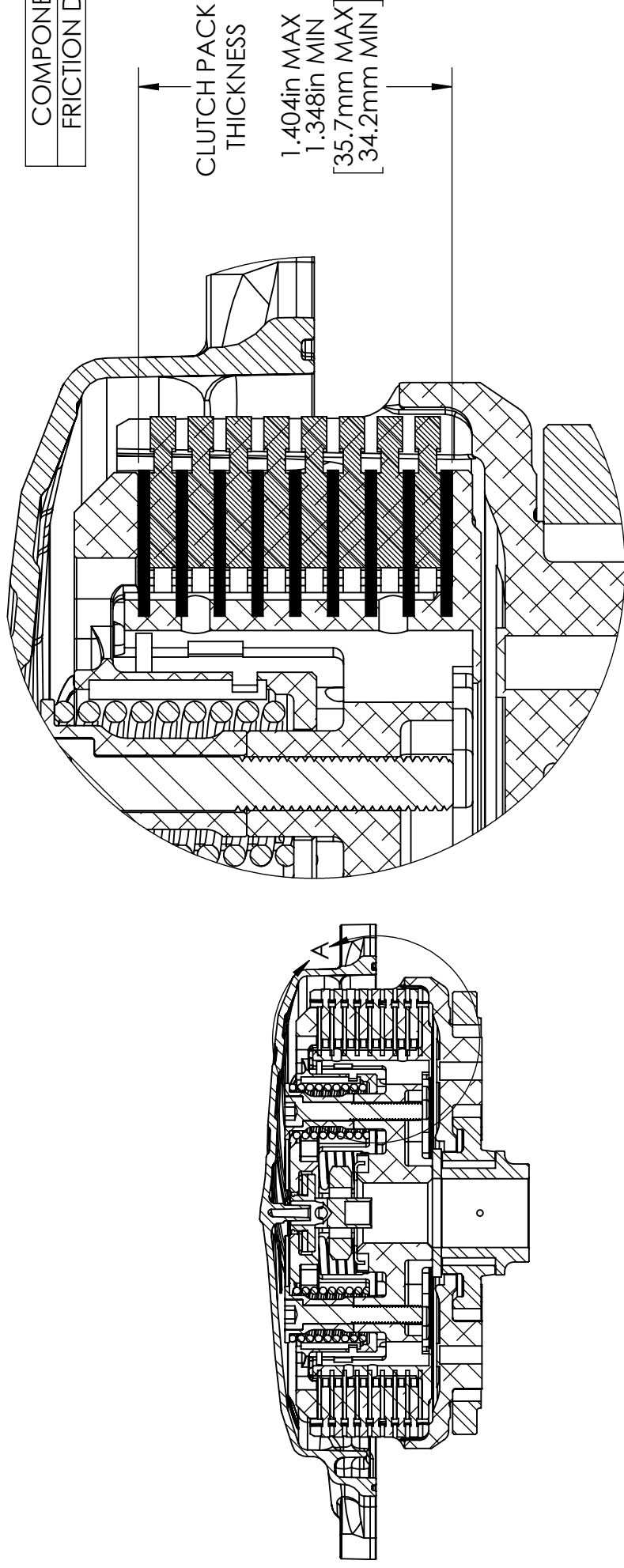


SETUP SHEET 198-7001102



Service Limits

COMPONENT	STANDARD THICKNESS	SERVICE LIMIT
FRICITION DISK	2.92-3.08mm (0.115-0.121in)	2.85mm (0.112in)



ITEM NO.	DESCRIPTION	QTY.
1	CENTER HUB	1
2	Lock Washer - 27mm Nut	1
3	FRICITION DISK	8
4	REKLUSE PRESSURE PLATE	1
5	PRESSURE PLATE SPRING	6
6	REKLUSE SCREW SLEEVE	6
7	REKLUSE PRESSURE PLATE SCREW	6
.048	Drive Plate .048" (1.2mm)	9