



INSTALLATION GUIDE

Harley-Davidson
Twin Cam
Hydraulic-Actuated

Doc ID: 191-6200B
Revision: 112823

Table of Contents

OVERVIEW	3
INSTALLATION TIPS	3
TOOLS.....	4
INCLUDED PARTS	4
BEFORE YOU BEGIN.....	4
Belleville spring options.....	5
DISASSEMBLE CLUTCH.....	6
INSPECT THE BASKET.....	9
INSTALL THE BASKET SLEEVES	10
INSTALL THE CLUTCH PACK	11
Notes for installation.....	11
Clutch pack.....	12
INSTALL THE PRESSURE PLATE.....	12
SET THE INSTALLED GAP	15
INSTALL THE PRIMARY COVER.....	18
CHECK FREE PLAY GAIN	20
Learn how to check Free Play Gain.....	20
Two Ways to Check for Free Play Gain.....	22
The Rubber Band Method.....	22
The Hand Method.....	24
ADJUST THE INSTALLED GAP	26
BREAK IN THE NEW CLUTCH.....	27
EXP TUNING OPTIONS	29
Changing the springs	30
MAINTENANCE.....	32
Disk inspection examples.....	33
TROUBLESHOOTING	34
Clutch Drag	34
Clutch Slip	34
LEVER SAFETY STRAPS	35
NEED ADDITIONAL HELP?.....	35

OVERVIEW

This kit replaces the OE (Original Equipment) or “stock” clutch pack.

- This kit will replace all the OE frictions, drive plates, and springs with a Rekluse TorqDrive® clutch pack and EXP disk.
- No modification of the OE parts is necessary.

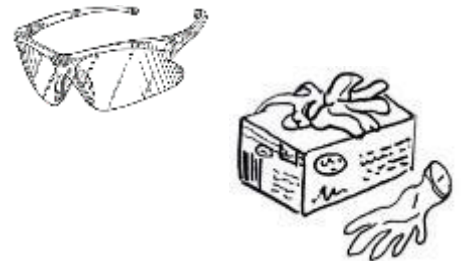
CAUTION

Do not dyno-test this product without reviewing the included dynamometer document.

- This kit includes extra EXP springs, which can be used to tune for your desired engagement. See the **EXP tuning options** section in this document for specific tuning information.

INSTALLATION TIPS

- Read the separate included Safety Information document before operating the vehicle with the product installed.
- Read this entire document before performing any steps.
- If you install this product for a customer or another person, instruct them to read the **Safety Information** document and the **Installation and User Guide** before operating the bike with the product.
- Videos related to this product can be viewed online at www.rekluse.com/support/videos.
- Protect eyes and skin – wear safety glasses and work gloves. Work in a well-ventilated area.
- Use the torque values listed in the instructions. Otherwise, use the torque specifications found in your OE service manual.



- For optimal clutch performance, Rekluse recommends using fresh, clean oil that **meets JASO-MA** oil rating requirements. Rekluse offers Factory Formulated Oil™ developed specifically for Rekluse products. Rekluse Factory Formulated Oil is a perfect complement to any OEM or aftermarket wet clutch. Visit www.rekluse.com to learn more.

TOOLS

- SAE hex key set
- End wrenches (Standard SAE)
- 10 mm socket
- Snap ring pliers
- Torque wrench
- Torx bit set
- Dental pic
- Phillip screwdriver

INCLUDED PARTS

Refer to the included **Parts Fiche** for a detail of the components.

Visit www.rekluse.com/support for a full parts fiche illustration and part numbers.

BEFORE YOU BEGIN

- Warm up the bike and check the idle speed before installing the clutch. The idle speed will determine which EXP springs to install for the optimal engagement setting. The chart can be found in the EXP tuning options section.
- Rekluse recommends replacing the chaincase cover gasket when installing this product.

Belleville spring options

Typically, the OE Belleville spring is reused when installing a Rekluse auto clutch. However, if the bike has a highly modified engine, and the OE clutch does not provide enough torque capacity, alternate springs can be purchased to optimize the clutch setup.

Clutch Torque Capacity			
		Max Engine Output Torque (ft-lb)	
Harley-Davidson Spring Part Number	Spring Marking	'96-'06 Models (excluding '06 Dynas)	'07+ Models (including '06 Dynas)
37882-06	Blue	86	92
37871-04	Yellow	103	110
37807-03	Pink	125	133
Harley Screaming Eagle After-market only: 37951-98	None	138	147

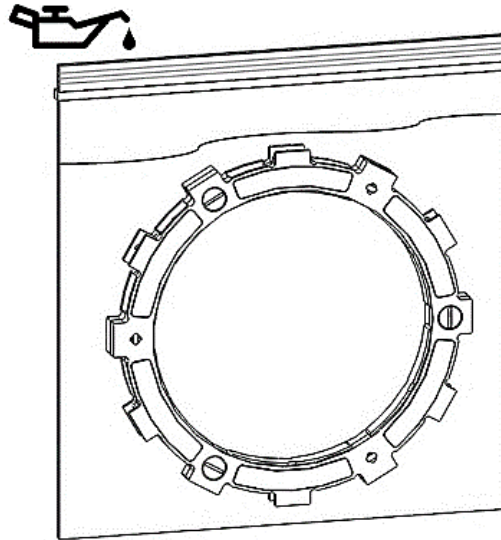
For Trikes: 2013 or earlier, or Conversions:

Rekluse highly recommends purchasing the 37951-98 Screamin' Eagle spring for best results with this clutch product.

Since trikes are heavier and create more inherent drag than a 2-wheeler, their clutches are more susceptible to creating excessive heat during regular use, and thus may cause premature wear, slip, or poor performance. Installing a higher-force spring can significantly improve clutch life and performance by reducing this heat.

DISASSEMBLE CLUTCH

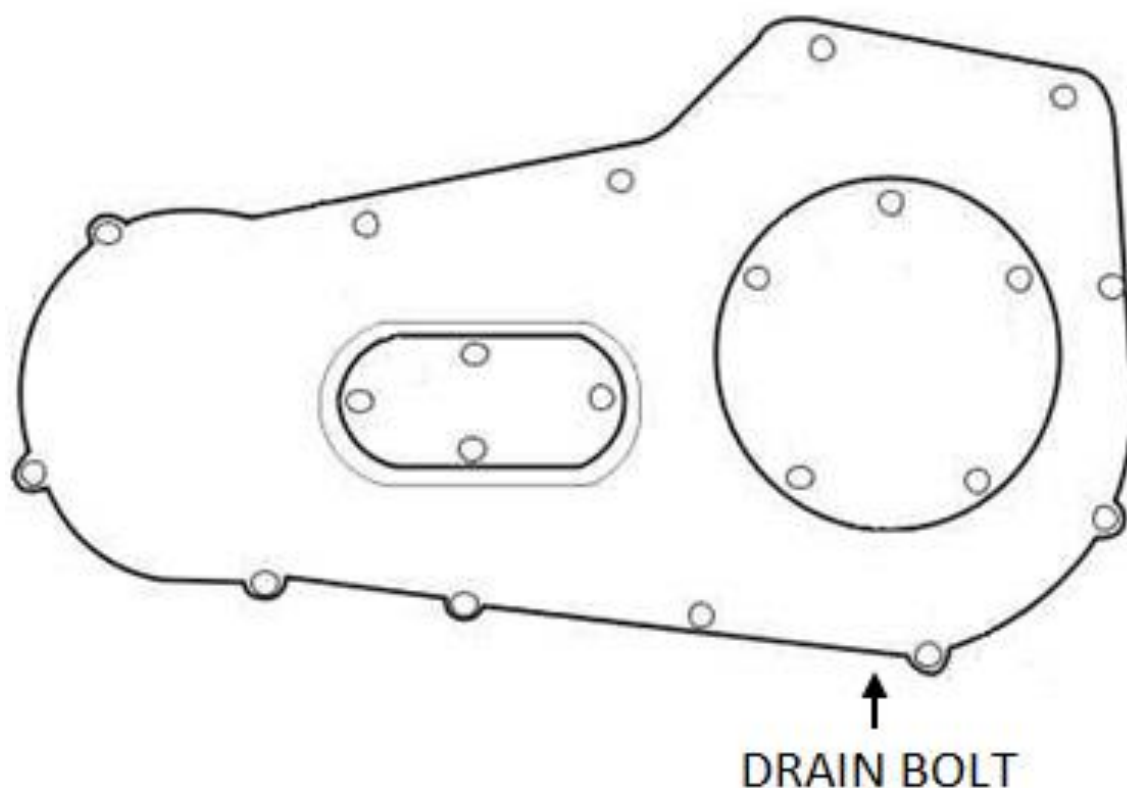
1. Make sure the bike has cooled before disassembling the clutch.
2. Soak the EXP disk and TorqDrive[®] friction disks in new primary chaincase oil for 5 minutes. Make sure the EXP and friction disks are coated on both sides.



3. Stand the bike up on a suitable bike stand or lift.



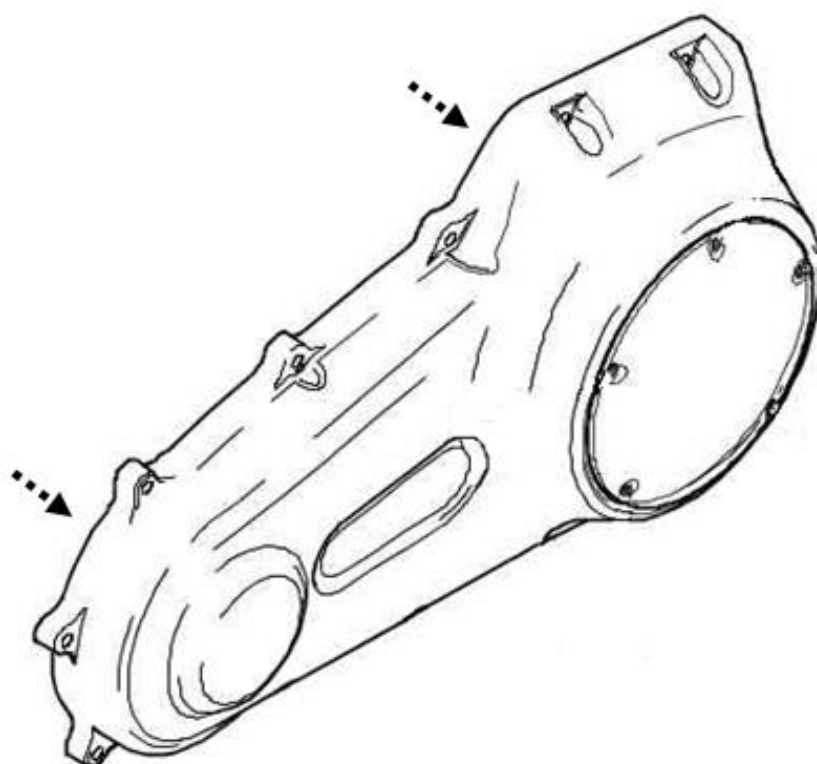
4. On the primary chain case, use a 5/8" wrench to remove the oil drain plug, then drain the oil.



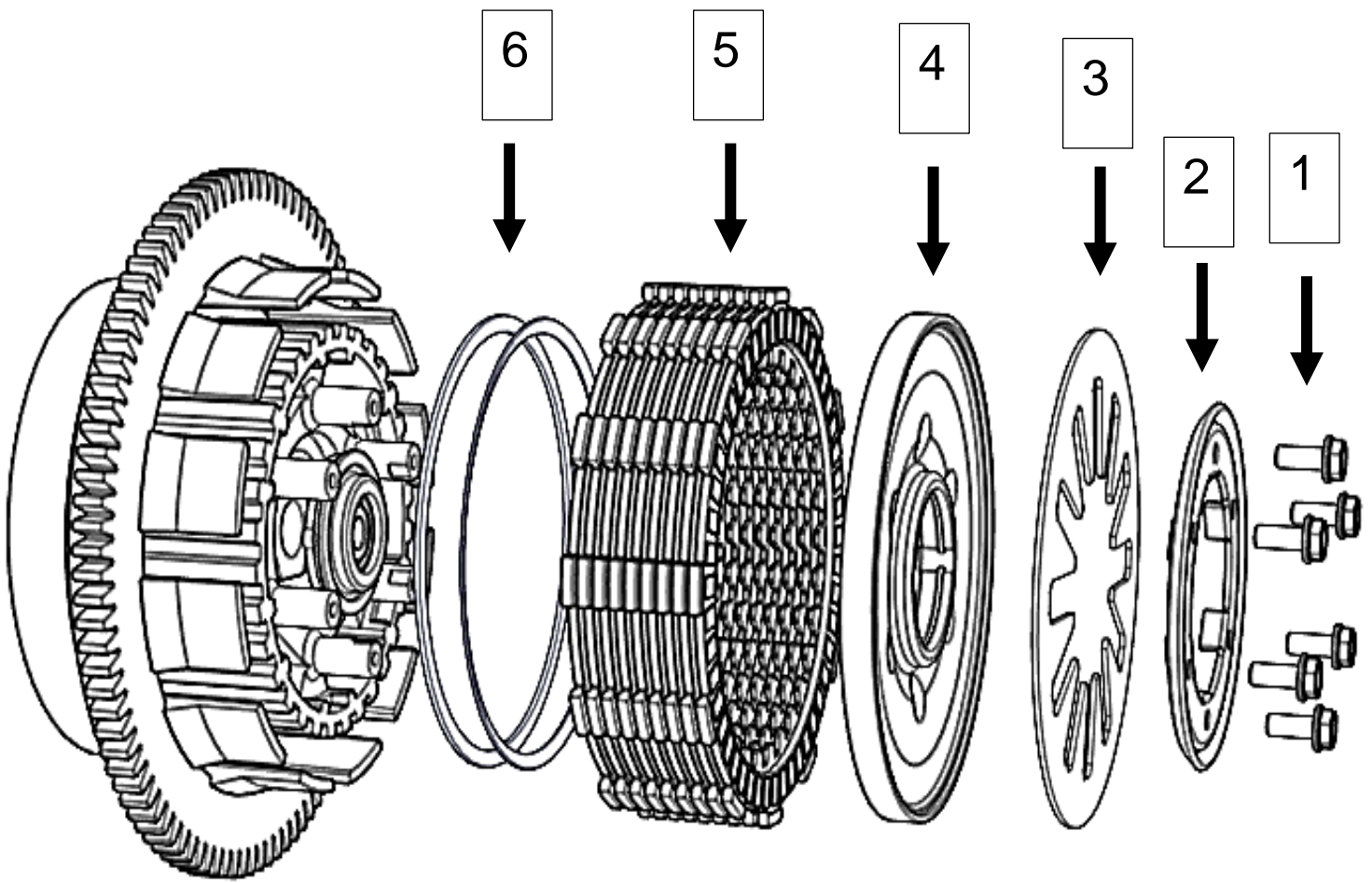
5. Remove any parts that are attached or blocking the primary chaincase cover. These may include the left floorboard, footpeg(s), shift lever, and/or the side stand.

Note: Before removing the shift lever, shift the bike into 5th gear.

6. Remove the primary chaincase cover.



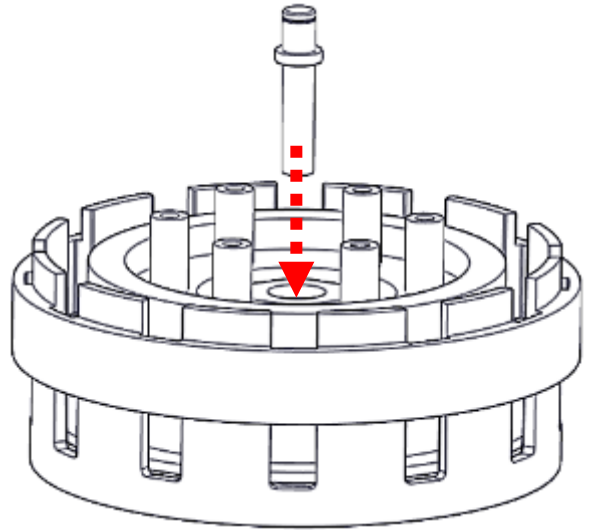
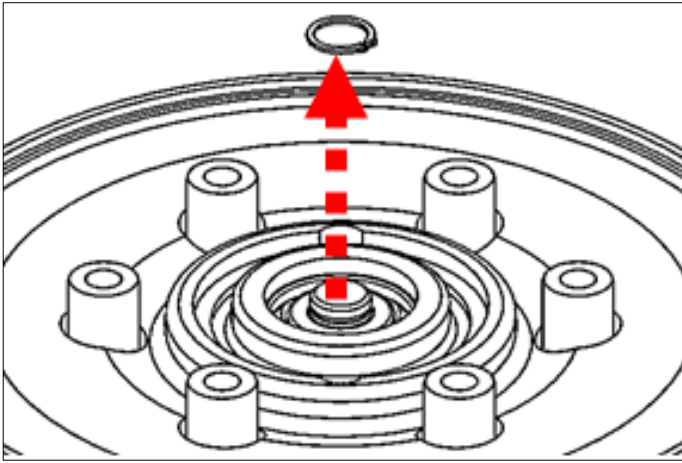
7. Remove the following OE parts. *You may need to use dental pick tools to reach and remove the bottom plates and damper (judder) spring.*



1	Pressure plate bolts
2	Spring hold-down ring
3	Belleville spring
4	Pressure plate
5	Clutch pack
6	Damper (judder) spring and seat

Note: *The OE clutch pack, judder spring and seat, and spring hold-down ring will not be reused.*

8. On a workbench, use snap ring pliers to remove the small retaining ring that holds the throw-out rod in the pressure plate bearing, then remove the throw-out. Set the pressure plate aside. It will be reused. *The retaining ring will not be reused.*
9. Reinstall the throw-out into the clutch.

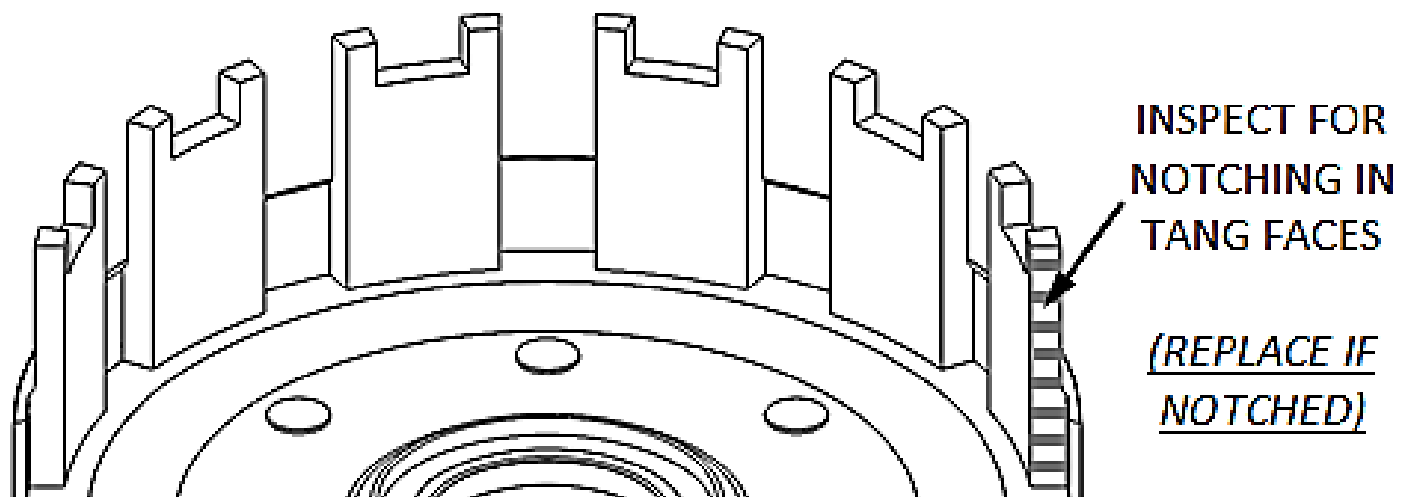


INSPECT THE BASKET

⚠ WARNING

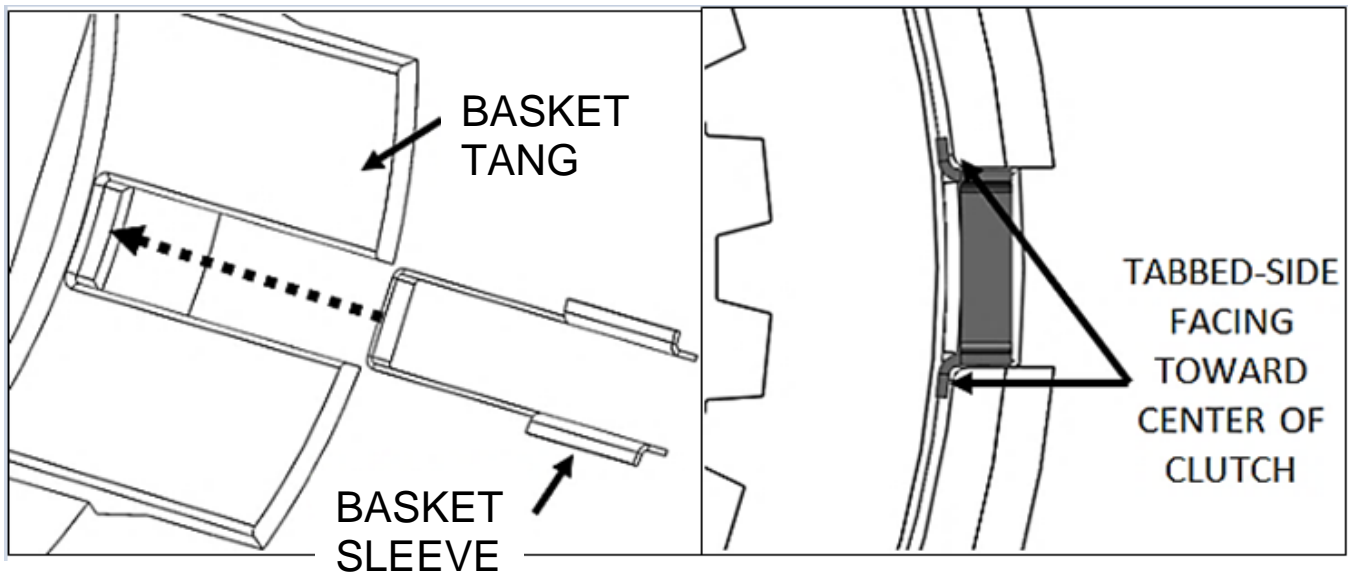
Failure to inspect the basket and replace it if necessary could result in death, serious injury, and/or property damage.

Inspect the clutch basket for notching. Do not install sleeves or use products with a notched basket. Notched basket tang faces can cause the sleeves to break. Do not use baskets that have been filed, machined, or modified on the tangs. Replace the basket if necessary.



INSTALL THE BASKET SLEEVES

Install **ALL** the Rekluse basket sleeves into the OE basket slots. Make sure the sleeve tabs sit against the inside of the basket, then push the sleeves down until they contact the bottom of the tang slot. See pictures for reference.



⚠ WARNING

Rekluse basket sleeves are designed to be installed into an OE or Rekluse clutch basket **ONLY**. The use of non-Rekluse aftermarket clutch baskets may cause clutch damage or failure.

Note: *In some models, the sleeves will stick slightly above the top of the basket. This is normal.*

INSTALL THE CLUTCH PACK

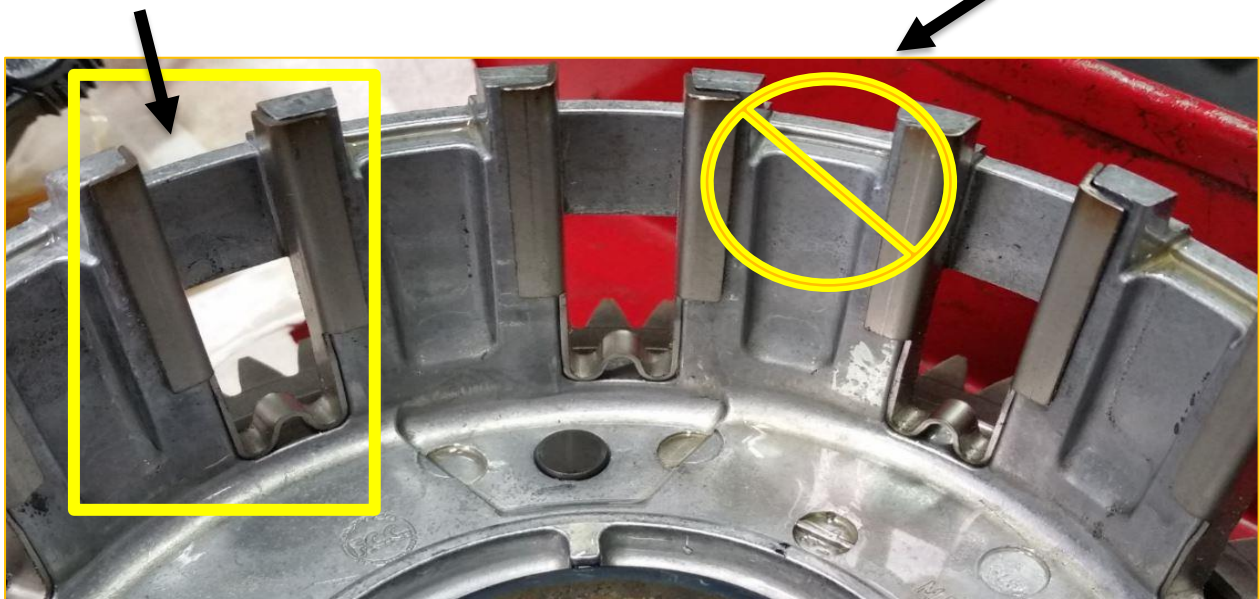
Refer to the included **Setup Sheet** for a breakdown of the clutch pack.

Notes for installation

- Some friction disks are marked with a small colored dot. This mark is used for processing and can be ignored.
- Some OE baskets have “half slots” at the top of the basket tangs. Rekluse products require the entire clutch pack to be installed into the MAIN (deeper) basket slots. Installing the pack in the “half slots” will cause performance issues.

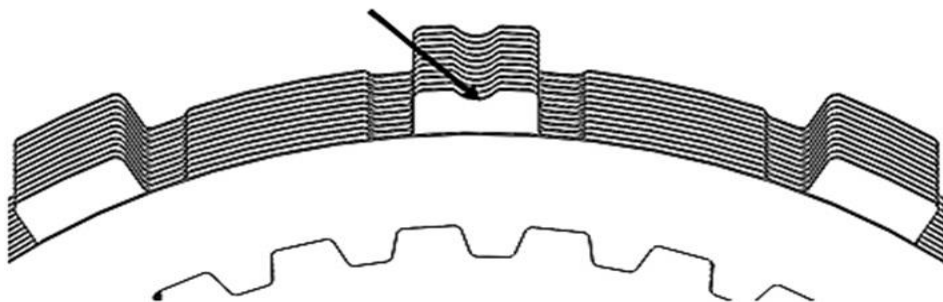
Use only the deeper basket slots for installation

Do not use the “half-slots”



When assembling the clutch pack, it is important to line up the alignment notches on the friction disk tabs. *Correct alignment is critical for optimal performance*

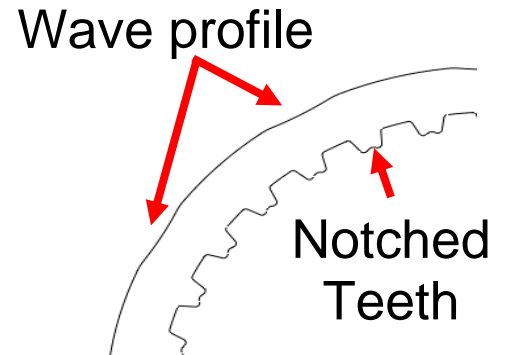
Align notches of friction disks and EXP



Clutch pack

Install the clutch pack one plate at a time. Follow the **Setup Sheet** at the back of the manual for the order of clutch pack disk installation.

Note: One of the drive plates has a different outer profile and notched teeth. Take care to place this drive plate in the correct position to ensure optimum performance

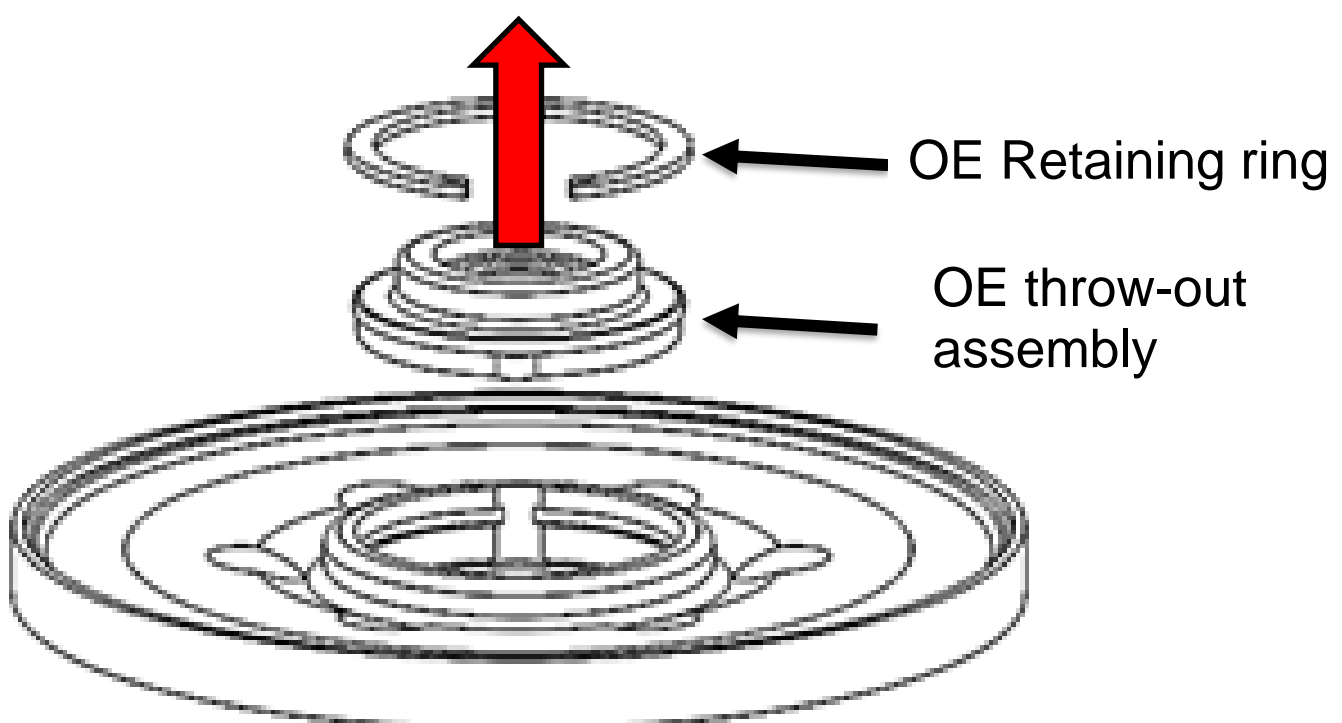


Note: Using dental picks can help control the basket sleeves during the installation of the clutch pack.

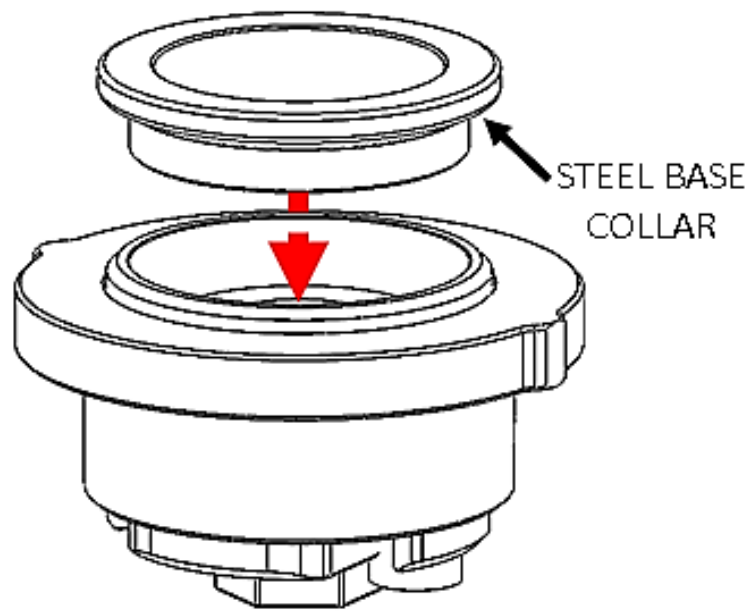
1. If your bike's idle RPM has changed from stock – meaning that it idles either higher or lower than the stock setting – see the EXP Tuning Options section to determine the best EXP spring setting before installing the EXP disk.

INSTALL THE PRESSURE PLATE

1. Use the snap ring pliers to remove the OE retaining ring, then remove the throw-out assembly from the pressure plate.

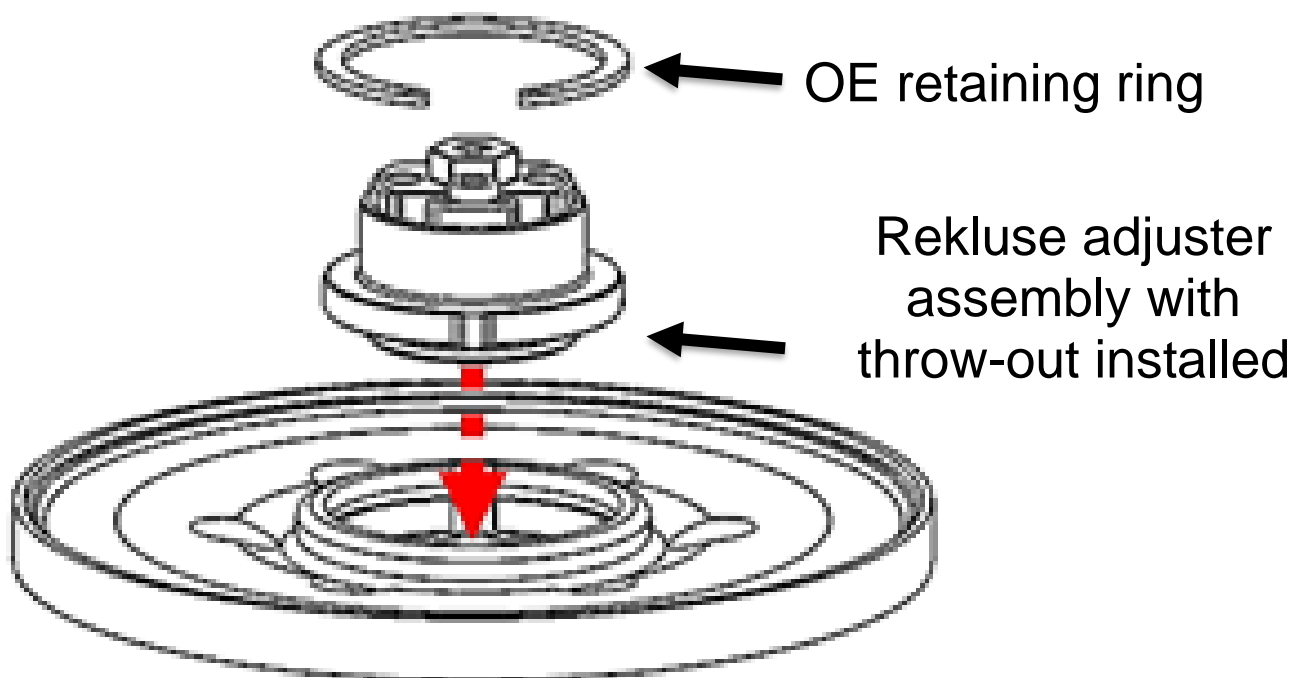


2. Turn the new Rekluse adjuster assembly over and verify that the adjuster base collar is still in place. If not, insert the base collar into the assembly. ***Adding a small amount of engine***



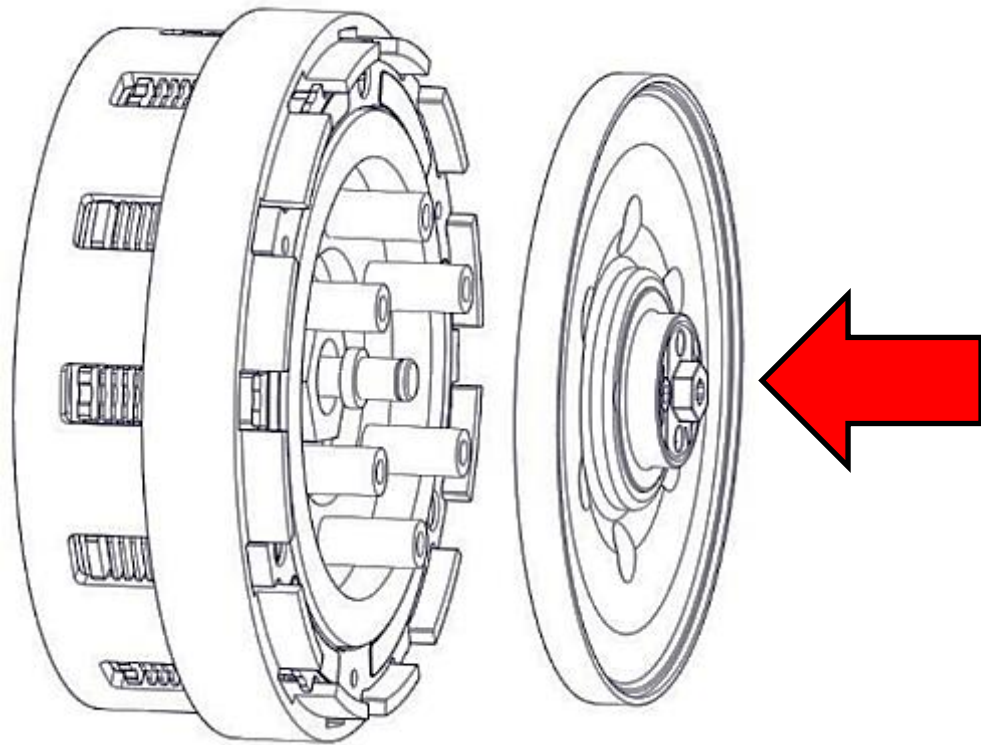
assembly grease to each part will help hold them in place during installation.

3. Install the Rekluse adjuster assembly into the pressure plate, then use a pair of snap ring pliers to reinstall the OE retaining ring.

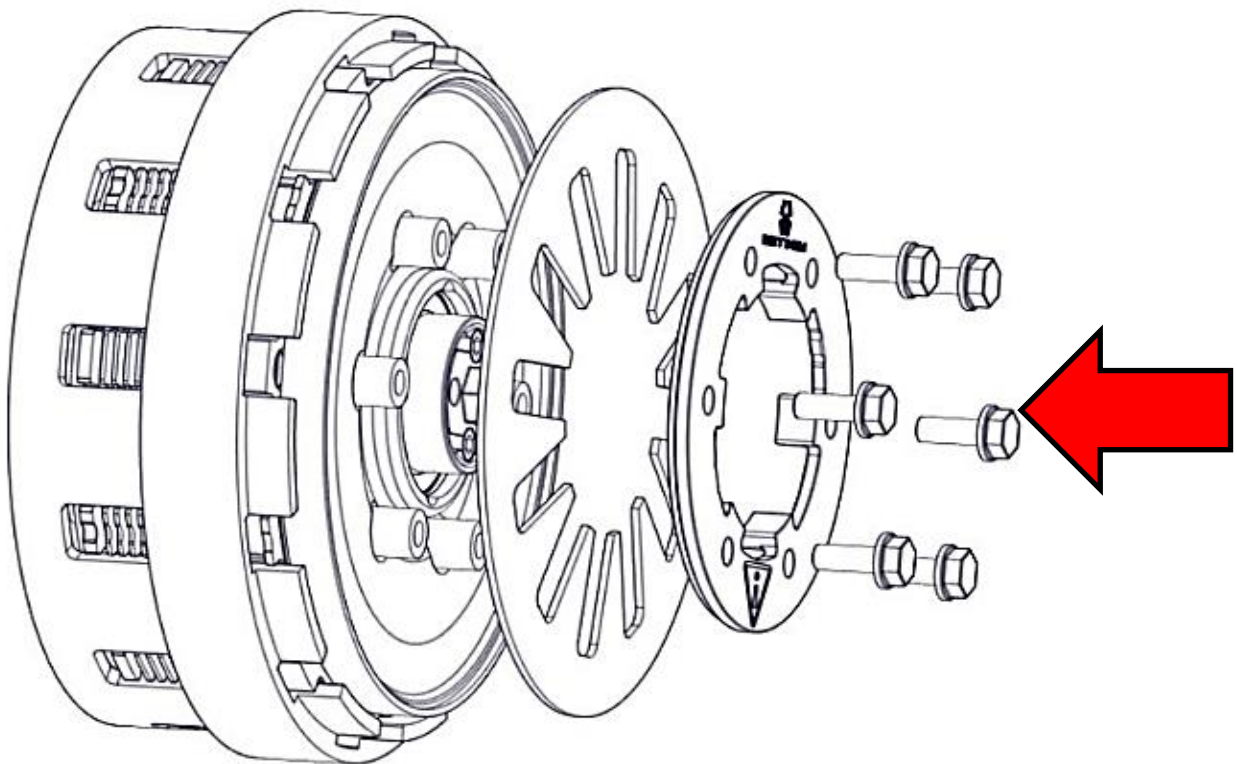


4. Install the assembled pressure plate onto the clutch pack.

Note: *Be sure that the adjuster assembly collar and throw-out stay in place and do not become unindexed when installing the pressure plate onto the clutch. An unindexed collar could cause damage to the clutch when setting the installed gap.*



5. Reinstall (or install the new) OE Belleville spring and the Rekluse spring ring, then reinstall the OE pressure plate bolts.



6. Torque the pressure plate bolts to **90-110 in-lb (10-12.4 N-m)**.

SET THE INSTALLED GAP

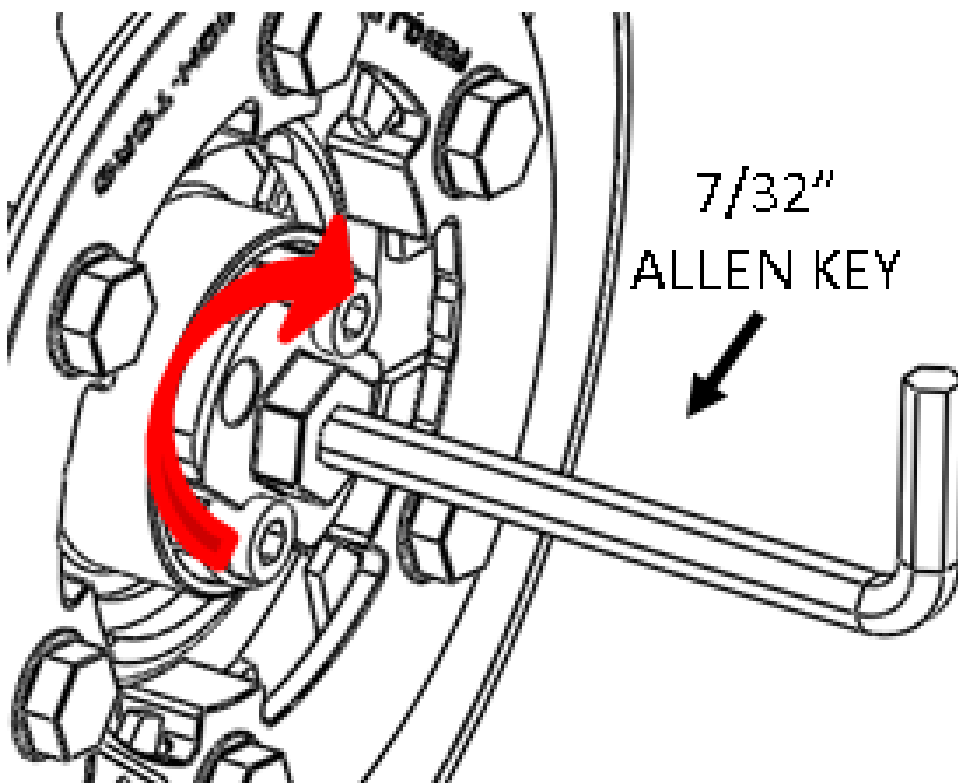
The installed gap is the separation in the clutch pack created by adjusting the Rekluse adjuster assembly. This gap is what allows the clutch to spin freely until the desired RPM is reached for engagement. The gap must be set correctly for optimal performance.

⚠ CAUTION

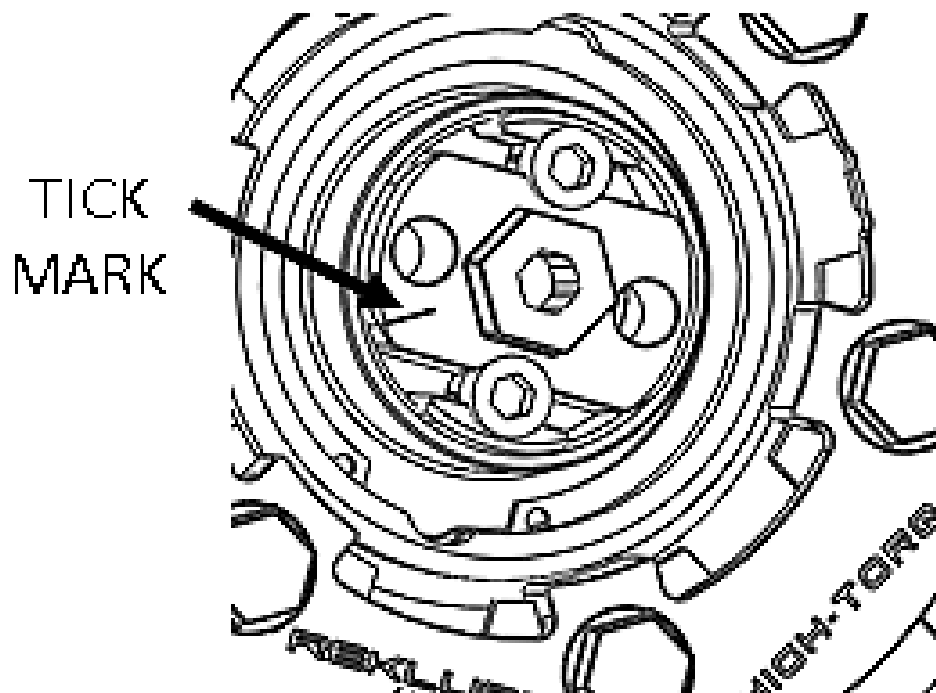
Do not ride your bike without adjusting the installed gap. You will not be able to disengage the clutch until you set the installed gap.

1. Using the long end of the 7/32" hex key, gently turn the adjuster screw **CLOCKWISE** until it stops under moderate pressure.

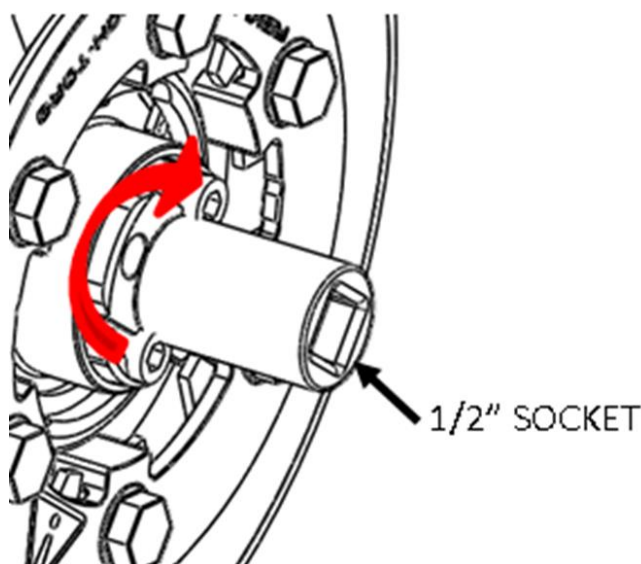
- You are feeling for the point at which it bottoms out and starts to lift the pressure plate (you will feel an abrupt increase in turning effort).
- This position is called your **starting point**.



2. At this starting point, note the location of the tick mark on the aluminum adjuster. *Marking the tick mark with a marker can help make it more visible during the adjustment.*



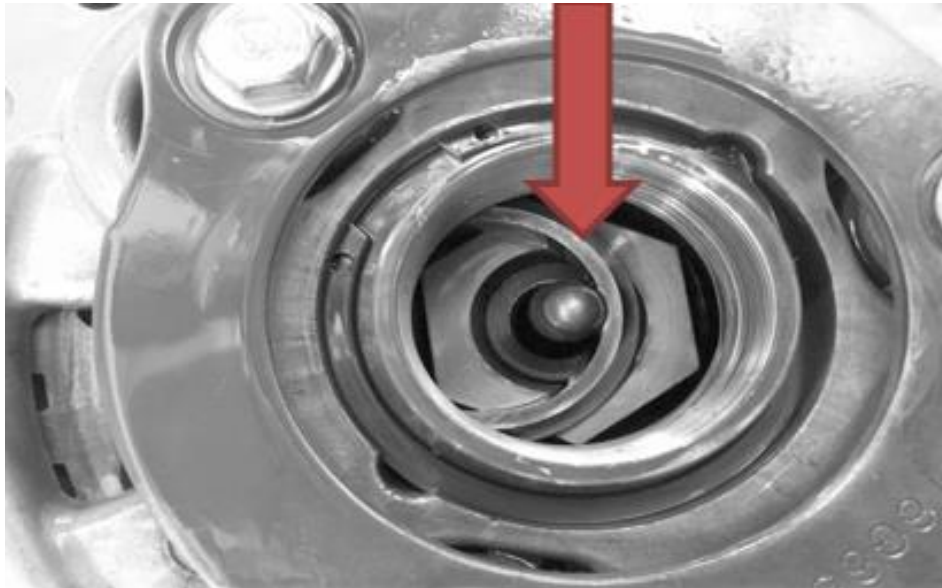
3. Using either a $\frac{1}{2}$ " socket or a $\frac{7}{32}$ " hex key, turn the adjuster **CLOCKWISE** $1\frac{3}{8}$ turns from the starting point.



Notes:

- *If the adjuster is not turning smoothly, then the adjuster collar may be unindexed from the adjuster assembly. Uninstall the adjuster assembly and reindex the adjuster collar. **See the following image for reference***

Example of an unindexed collar



- *After setting the installed gap, the aluminum center adjuster should be flush or near flush in the adjuster assembly.*
 - *If the adjuster is protruding out of the adjuster assembly the adjuster collar likely has unindexed while installing the pressure plate. **See the following images for reference***

Correct – adjuster flush in the adjuster assembly



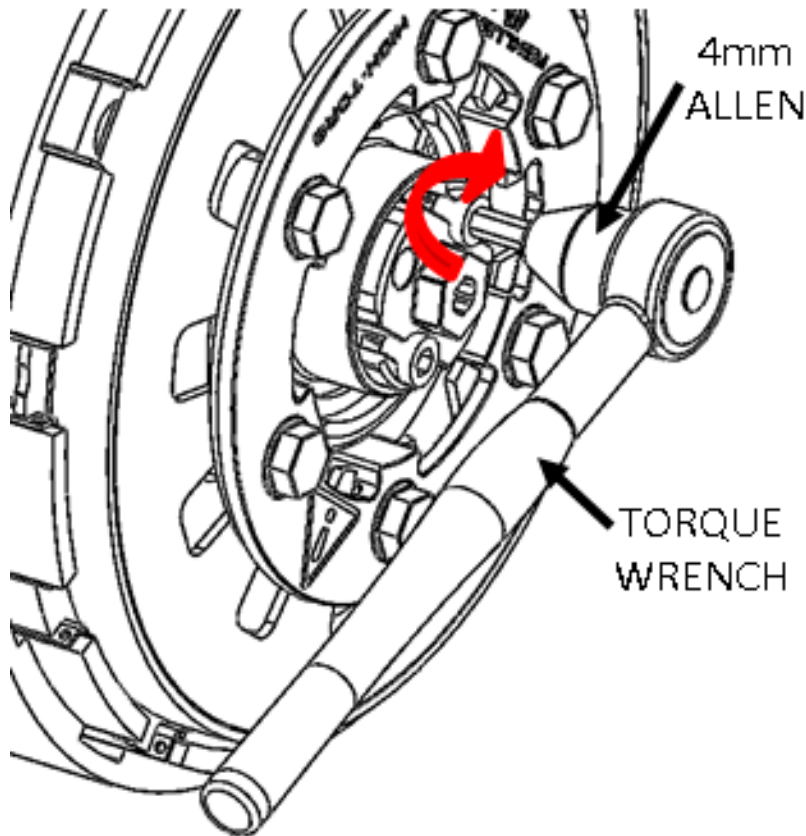
Incorrect – adjuster protruding out of adjuster assembly



(Collar unindexed out of the adjuster assembly – See page 15 - step 2)

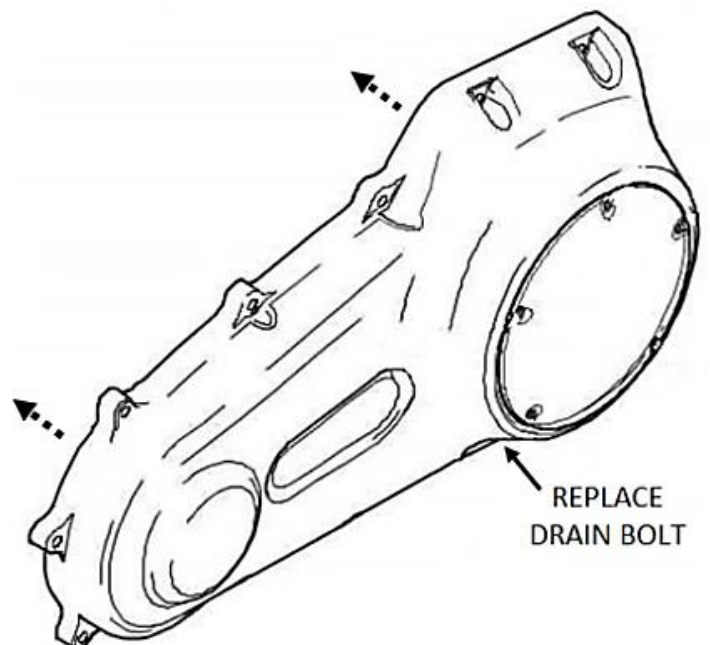
4. Use a 4 mm hex socket and torque wrench to lock the adjuster in place. Alternate tightening the two pipe plugs in small increments to **40 in-lb (4.5 N-m)**.

Note: When torqued correctly, the tops of the plugs should be nearly flush with the top of the aluminum adjuster piece. It is **NOT** necessary to apply a thread-locking compound to the pipe plugs.

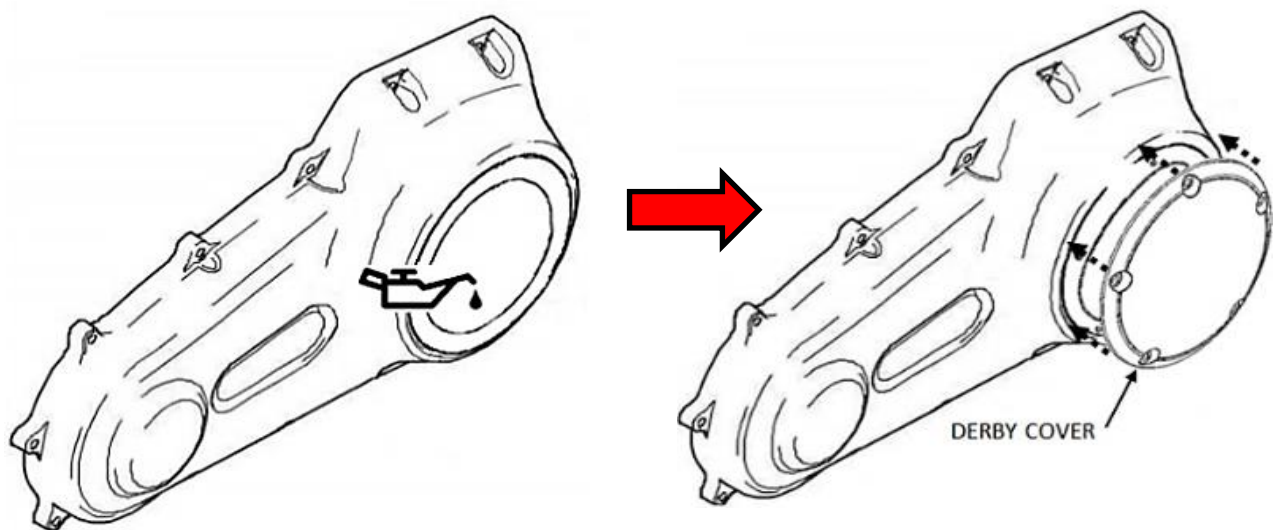


INSTALL THE PRIMARY COVER

1. Thoroughly clean the mating surfaces of the primary cover and the engine case.
2. Reinstall the primary gasket (or new gasket), then install the drain bolt.
3. Reinstall the primary cover, then torque the cover bolts to **84-108 in-lb (9.5-12.2 N-m)**. Torque the drain bolt to **36-60 in lb (4-6.8 N-m)**.



4. With the primary cover installed, use a T-27 Torx bit to remove the derby cover.
5. Using a funnel, add 1 quart of oil to the primary case through the derby cover cavity. Use the OE-recommended oil or any quality primary oil.
6. Reinstall the derby cover and torque bolts to **84-108 in-lb (9.5-12.2 N-m)**.



7. Check the hydraulic fluid level at the master cylinder reservoir, and add fluid if required. The system may need to be bled if the fluid level is below the intake port in the reservoir. Replace the cap.
8. Install the provided warning sticker on the backside of the clutch lever, such that it is visible to the rider.



CHECK FREE PLAY GAIN

It is very important that you understand how to verify the correct installed gap by checking Free Play Gain. The installed gap is what allows the auto function of the product to perform properly.

Correct Free Play Gain = Correct installed gap

Setup, break-in, and recheck of the installed gap are CRUCIAL. Failure to properly maintain your installed gap can result in premature wear or failure of your clutch. Use the following steps to verify the installed gap by checking Free Play Gain.

⚠ WARNING

Failure to check and verify Free Play Gain can cause failure or damage to this product. Setting the correct installed gap is critical for clutch performance.

Learn how to check Free Play Gain

If you are familiar with checking Free Play Gain, check for Free Play Gain then skip to the “Adjust the Installed Gap” section.

If Free Play Gain is new to you, follow the instructions below to help you learn this important step. You can also view the video entitled “How to Check Free Play Gain” on our website at <https://rekluse.com/support/videos>.

Checking Free Play Gain allows you to externally monitor the installed gap so you can know when to adjust if the installed gap is too large or too small.

The correct installed gap is verified by observing and feeling the increased free play movement in the clutch lever. This extra movement is called “Free Play Gain.”



Lever with "slack" removed

Lever position around 4,000 RPM

Free Play Gain

1/8"-1/4" (3 mm-6 mm) lever movement

- **If there is too much Free Play Gain**, the installed gap is too small.
 - The bike may drag and stall because it has difficulty disengaging the clutch. It may also be difficult to shift.
 - Too much Free Play Gain will not hurt the clutch, but it will negatively affect clutch performance.
- **With too little or no Free Play Gain**, the installed gap is too large.
 - This means when the EXP is fully expanded it does not lift the pressure plate. The clutch may slip and make the bike seem like it is losing power.

- The bike may not move forward even though the engine RPM increases as if the clutch lever is slightly pulled.
- Too little Free Play Gain will cause the clutch system to burn up.

Optimal Free Play Gain yields 1/8”-1/4” (3 mm-6 mm) of clutch lever movement, measured at the ball end of the lever. This measurement at the lever correlates to achieving the ideal installed gap.

Two Ways to Check for Free Play Gain

The following steps explain **2 ways** to check Free Play Gain. One way uses the rubber band Rekluse includes in the clutch kit, and one uses your hand. You can use either method to check for Free Play Gain.

Rekluse recommends that you begin with the rubber band method first to check for Free Play Gain and then learn the hand method. The rubber band will help you learn how to recognize Free Play Gain until you are comfortable with the hand method. Learning to check Free Play Gain by hand effectively and comfortably can make it easy to check Free Play Gain every time you ride.

The Rubber Band Method

Use the rubber band method for the initial setup. It can also be used before each ride until you feel comfortable checking the Free Play Gain using the hand method.

⚠ WARNING

BEFORE YOU BEGIN, verify that the bike is in **NEUTRAL** before checking Free Play Gain. Failure to do so may result in the bike lurching forward, and loss of control and/or injury may result.

A Rekluse auto-clutch can make your motorcycle appear to be in neutral when in gear, even when the engine is running and clutch lever is released.

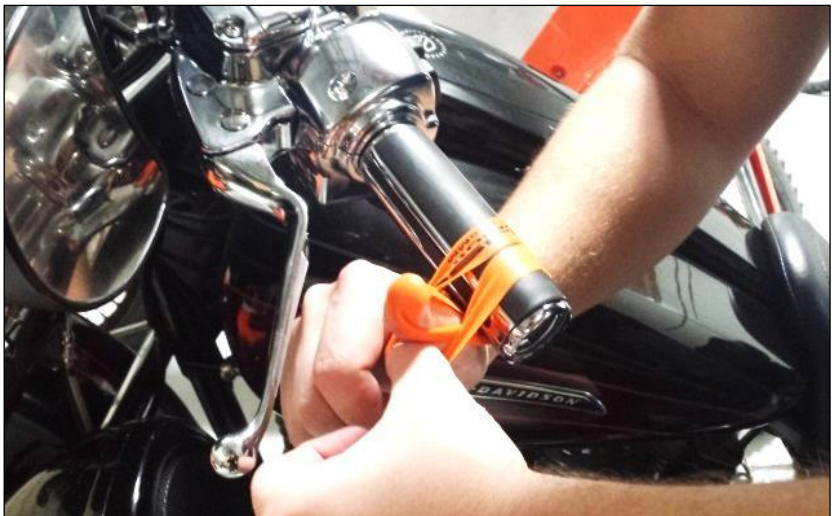
Motorcycles equipped with a Rekluse auto-clutch can move suddenly and unexpectedly and cause riders to lose control. To avoid death, serious injury, and/or property damage, always sit on the motorcycle to start it.

a) Before you begin, place the bike in **NEUTRAL**, start the engine, and let it warm up for 2-3 minutes to idle down and warm the engine oil.

b) Stretch the included rubber band between your thumbs, then place the top end of the rubber band on the outer end of the left handlebar grip.



c) While holding the top end of the rubber band against the handlebar, stretch the band downward, then loop it through itself.



d) Pull the band through the loop, then attach it to the outside end of the clutch lever. This will take up the initial free play (slack) and put the lever in a position to detect the Free Play Gain.

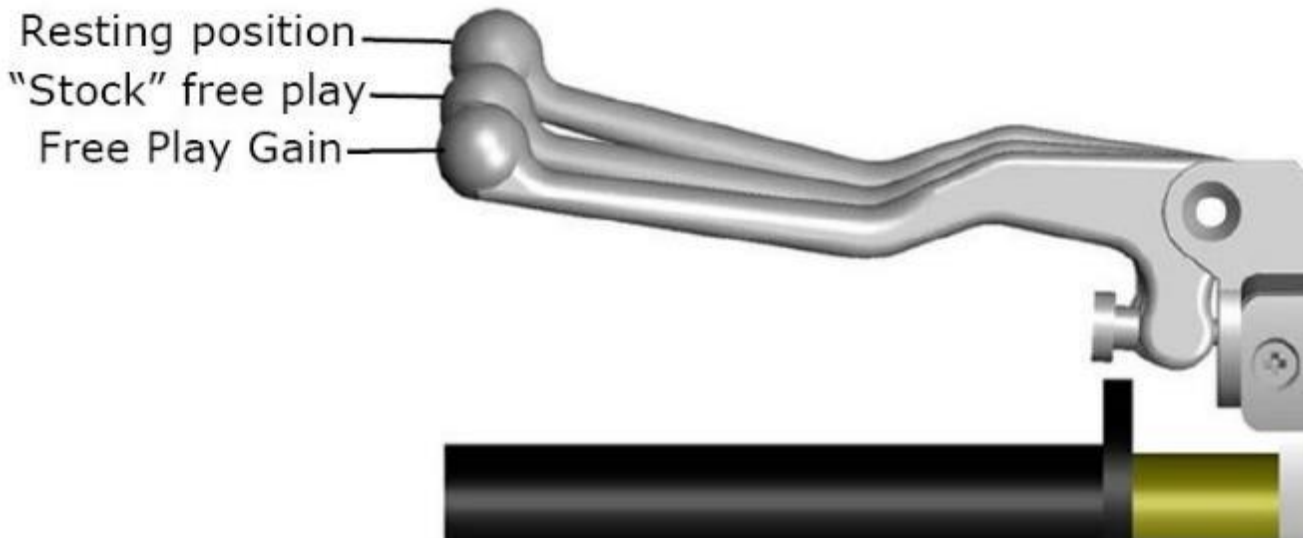


e) While still in **NEUTRAL**, quickly rev the engine between 3,000-5,000 RPM (1/4 to 1/2 throttle), then let it return to

idle. Notice the movement in the clutch lever when the engine is revved. This is your Free Play Gain.

Note: *It is very important the motor returns to idle before revving the engine again or Free Play Gain will not be correct.*

f) When the bike returns to idle, rest your hand across the



clutch lever. Rev the engine again to 3,000-5,000 RPM so you can observe the movement while feeling Free Play Gain with your hand.

The Hand Method

Use the hand method to check Free Play Gain before the start of every ride for optimum performance and longevity of your new clutch.

- a) Before you begin, place the bike in **NEUTRAL**, start the engine, and let it warm up for 2-3 minutes to idle down and warm up the engine oil.
- b) With the bike at idle, apply enough pressure to the clutch lever to take up the initial free play (slack) in the clutch lever.
- c) While still in **NEUTRAL**, continue to apply light pressure and quickly rev the engine between 3,000-5,000 RPM (1/4 to 1/2 throttle), then let it return to idle. Notice the movement in the

clutch lever when the engine is revved. This is your Free Play Gain.

- d) When the bike returns to idle, rev the engine between 3,000-5,000 RPM a second time to verify the Free Play Gain again

ADJUST THE INSTALLED GAP

After checking for Free Play Gain, you may need to adjust the installed gap. If Free Play Gain is optimal, continue to “BREAK IN THE NEW CLUTCH.” If Free Play Gain is not optimal, the installed gap needs to be adjusted.

The installed gap should be fine-tuned in small increments and then recheck Free Play Gain. Refer to the table below to set the properly installed gap based on your Free Play Gain.

Symptom	Reason	Solution
<ul style="list-style-type: none">• Too much Free Play Gain: The clutch lever moves too far• Clutch has excessive drag or stalls• It is difficult to fully override the clutch with the lever	The installed gap is too small	Turn the adjuster clockwise to increase the Installed Gap. Recheck Free Play Gain.
<ul style="list-style-type: none">• Too little Free Play Gain: The clutch lever only moves slightly or does not move at all• Clutch slips• The bike seems to have lost power	The installed gap is too large	Turn the adjuster counterclockwise to reduce the Installed Gap. It may be helpful to re-find the starting point. Recheck Free Play Gain.

BREAK IN THE NEW CLUTCH

Once you install your new clutch, it is important to break it in. A series of roll-on starts are used to break in the clutch. Follow these procedures for breaking in your clutch and any time new friction disks, EXP bases, Teflon pads, or wedges are installed.

▲ WARNING

Failure to follow the break-in procedure and oil screen inspection process could cause motor oil delivery failure, which can result in motor failure, serious injury, or death.

Break-in Procedure	Number of times
<p>1. Warm up the bike for 2-3 minutes. With the bike in NEUTRAL and your hand off of the clutch lever, rev the engine 10 times, being sure to let it return to idle between each rev cycle.</p>	<p>① N ② ③ ④ ⑤</p>
<p>2. With the engine still running, pull in the clutch lever, then shift the bike into 1st gear. Slowly release the clutch lever. The bike should stay running and in place, or have a slight amount of forward creep.</p> <p>3. With the bike idling in first gear, slowly apply the throttle to begin moving.</p> <p>4. Without using the clutch lever, accelerate moderately to approximately 3,500 RPM to fully lock up the clutch and come to a complete stop. Repeat 15 times.</p>	<p>① N ② ③ ④ ⑤ 15 roll-on starts</p>

Note: *If the engine wants to stall or the creep is excessive, the idle may be too high or the installed gap may be too small. Make necessary adjustments before proceeding.*

5. Place the bike in **NEUTRAL** and recheck Free Play Gain. Continue to adjust the installed gap until the clutch lever is 1/8"-1/4" (3 mm-6 mm).



Recheck Free Play Gain and adjust the installed gap

Note: *Your clutch pack will expand with heat, so the final adjustment to Free Play Gain should be made when the bike is warm. Remember not to ride without sufficient Free Play Gain.*

CAUTION

Do not perform 2nd and 3rd gear starts with this product. Always keep the motorcycle in first gear when taking off from a stop. Taking off from a higher gear can cause premature clutch wear and damage to the product.

DO NOT DYNO TEST YOUR MOTORCYCLE BEFORE BREAK-IN! Always break in the product before performing dyno testing. Read the included dynamometer sheet for more information.

EXP TUNING OPTIONS

Adjusting the engine idle speed to match your engagement setting is important and greatly affects the overall feel of how the EXP disk engages.

To prevent freewheeling and maximize engine braking, set the idle so there is a slight amount of drag while the bike is idling in gear and warmed up. The idle should not be so high as to move the bike forward in gear with the throttle closed. However, with a small opening of the throttle, the bike should move forward.

You can tune the engagement RPM of the EXP disk by changing the spring configuration. The EXP disk comes set with the recommended “**Medium**” setting from Rekluse, based on an idle of RPM = 850 - 1050. If your idle is higher than 1050 RPM, it may be best to install the “High” spring setting. A low idle may benefit from a low spring setting.

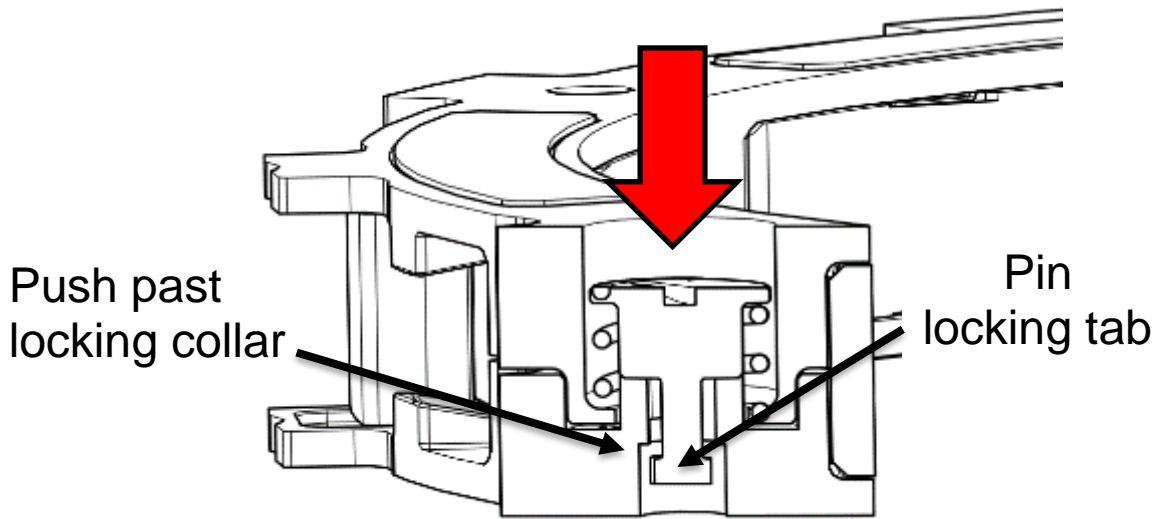
See the following chart for settings. Use the following steps to change the springs. It is **NOT necessary** to disassemble the EXP halves to change springs!

Engines with Stage 3+ modifications or modified cylinder heads/cams are recommended to be tuned to the **High** or **Extra High** setting.

Idle RPM	Engagement Spring Combination	Engagement setting
< 850 RPM	3 Green, 3 Gold	Low
850 - 1050 RPM	6 Green	Medium
1050 - 1150 RPM	3 Green, 3 White	High
> 1150 RPM	6 White	Extra-High

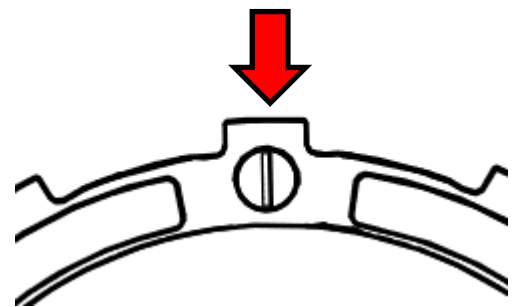
Changing the springs

1. Using a flat-blade screwdriver, push the $\frac{1}{4}$ turn pin in far enough for the locking tab to push out of the locking collar.
2. With the pin still pushed past the locking collar, turn 90° to remove the pin and spring.



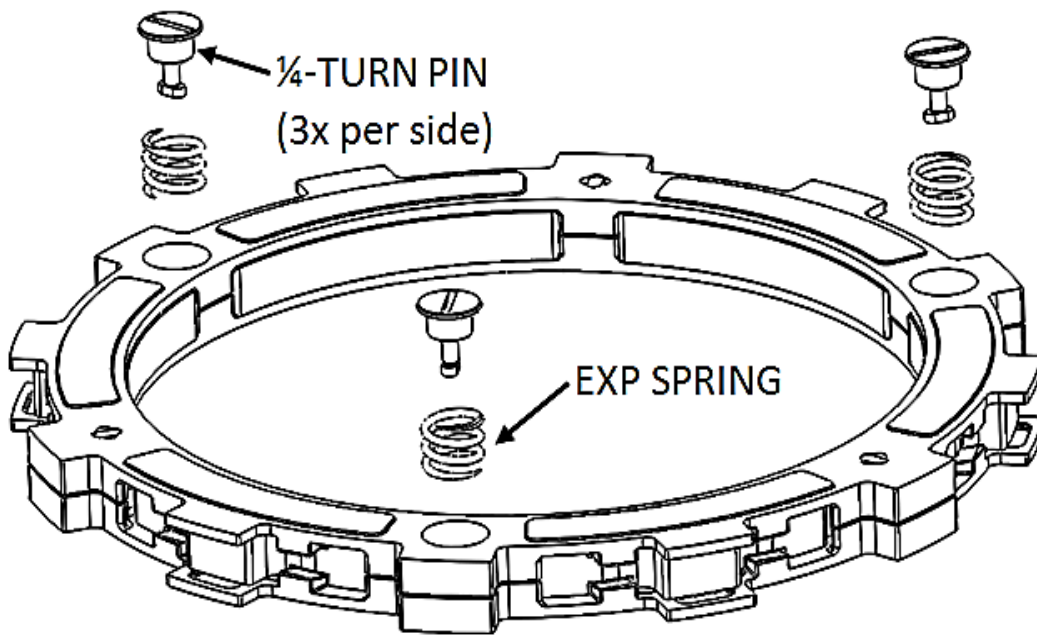
3. Remove the remaining 2 pins and springs from the same side of the EXP base.
4. Drop a new spring into the spring slot on the base, then add the $\frac{1}{4}$ turn pin.

NOTE: *Lining up the slot in the pin with the tab in the EXP will align the pin in the proper position for locking the pin.*



5. Push the turn pin in far enough to clear the locking collar, then turn 90° and release the pin. The pin should sit almost flush with the EXP base.

6. Flip the EXP friction disk over, and repeat on the other side



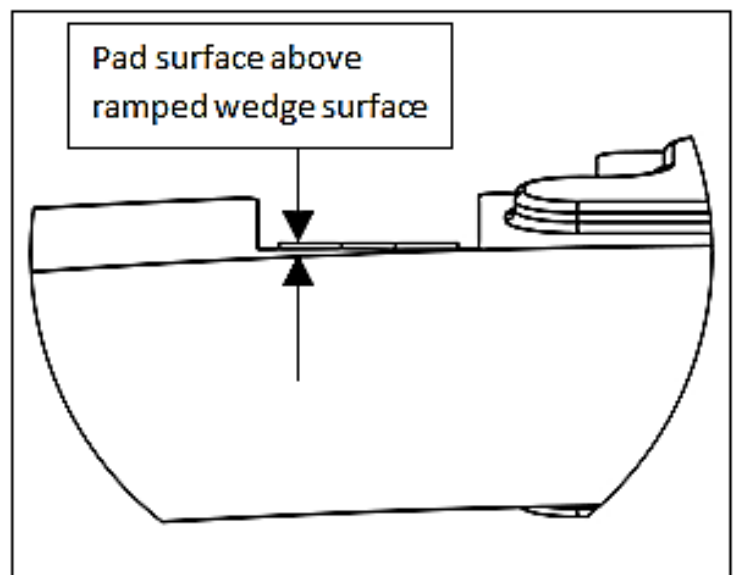
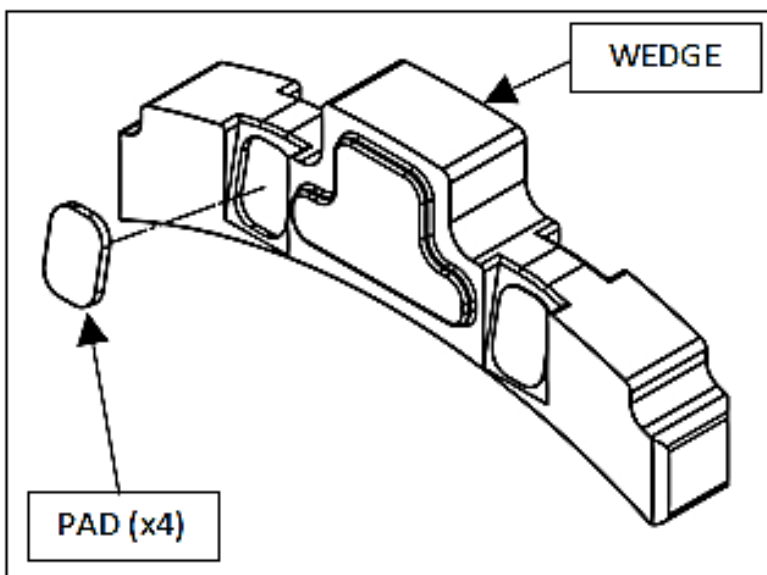
depending on engagement preference.

7. If you need to disassemble the EXP disk, you can watch the video on our website under Tech Tips at www.rekluse.com/support/videos.

Note: To maintain even pressure, when using two different color spring sets, install one set of 3 on one side of the EXP and the remaining set of 3 on the other side.

CAUTION

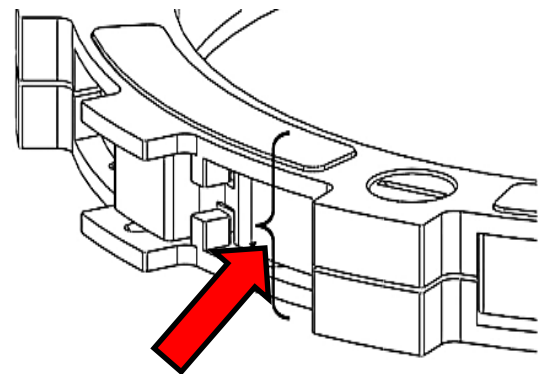
If you disassemble the EXP, the Teflon pads may fall out or be stuck to the ramp surfaces of the EXP bases. Take care to ensure all pads are correctly placed into wedge pockets using gentle pressure to avoid damage to the pad surfaces before reassembling the EXP. Properly seated pads will be secured in place once the EXP is reassembled. Operating the clutch without the pads in place will cause part damage or failure.



MAINTENANCE

To keep your clutch performing at its best, perform regular maintenance on your bike and clutch.

- Inspect all of your clutch parts for signs of wear or excessive heat, and replace components as necessary. This includes your basket sleeves and/or dampers. Clutch wear is dependent on the rider's use.
- If you frequently adjust your cable to fix Free Play Gain, drag, or performance issues, the clutch pack may need to be replaced.
- Measuring the clutch pack and/or the EXP disk can help determine if the components need replacing.
 - Friction disk minimum allowable thickness = **0.065"**
(1.65 mm)
 - Thick Friction disk minimum allowable thickness = **.145"**
(3.68 mm)
 - EXP disk minimum allowable thickness = **.586" (14.9 mm)**
- Repeat the break-in procedure anytime you replace the friction disks.
- Always soak EXP disk, wedges, and friction disks in oil for at least 5 minutes before installing.
- Replace friction disks if they measure below specifications or if the disks are glazed and/or burnt.
- Replace the drive plates if they show signs of excessive heat.



Measure EXP
for allowable

Disk inspection examples

When inspecting the clutch pack, the following pictures can be used as a reference. **These are best viewed in color by viewing this install document on www.rekluse.com/support**

Drive Plates – If the clutch pack is getting high amounts of heat, purple, blue, or black color can be seen on the drive plate teeth. See the pictures below. Not all drive plates look the same and may look different than pictured.



Normal Heat

High Heat
(Blue)

Excessive Heat
(Black)

Friction Disks – Due to the dark color of the friction material, the friction disks will appear almost black as soon as they are put in oil. During the inspection, look for glazing of the friction material. Glazing will appear shiny and feel like glass, even after the oil is cleaned from the friction disk. Not all friction disks look the same and may look different than pictured.



Normal Friction



Glazed Friction

TROUBLESHOOTING

Clutch Drag:

- Make sure the bike has reached operating temperature. Drag may occur when the engine is cold
- Check that freeplay gain is set properly. Incorrect freeplay gain may cause drag.
- Check idle speed. If idle speed is too high, drag may occur. Refer to the EXP adjustment chart for further tuning.
- Put in new Rekluse recommended oil. Old or improper oil can cause performance issues.
- Check the clutch pack for signs of excessive heat or warpage.

Clutch Slip:

- Inspect the clutch for signs of excessive heat.
- Check that freeplay gain is set properly. Incorrect freeplay gain can cause slip.
- If clutch slip persists, heavier clutch springs are recommended.

LEVER SAFETY STRAPS

Your kit includes 2 Velcro-type straps to be used to secure both the clutch and front brake levers when the bike is parked.

These straps are intended to reduce the risk of injury or damage that may occur from the bike rolling or launching unexpectedly with or without a rider. Use the lever safety straps every time you park or leave the bike. **Refer to the Safety Information sheet for more information.**

1. Pull the lever tight against the handlebar.
2. Wrap the Velcro safety strap around the lever and handlebar, pull it tight, then fasten it.



Clutch Lever Strap: to prevent unwanted launching.



Brake Lever Strap: for use as a parking brake.

NEED ADDITIONAL HELP?

Website

www.rekluse.com/support

Phone

(208) 426-0659

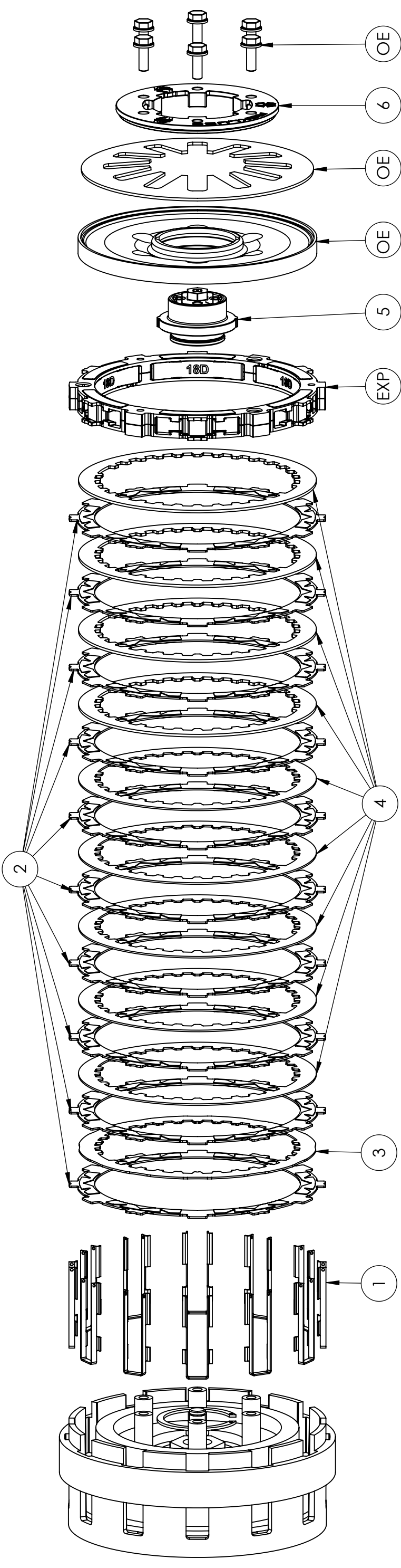
Monday thru Friday: 8 am – 5 pm Mountain Time

Email

Customerservice@rekluse.com



SETUP SHEET 198-6202



TUNING OPTIONS

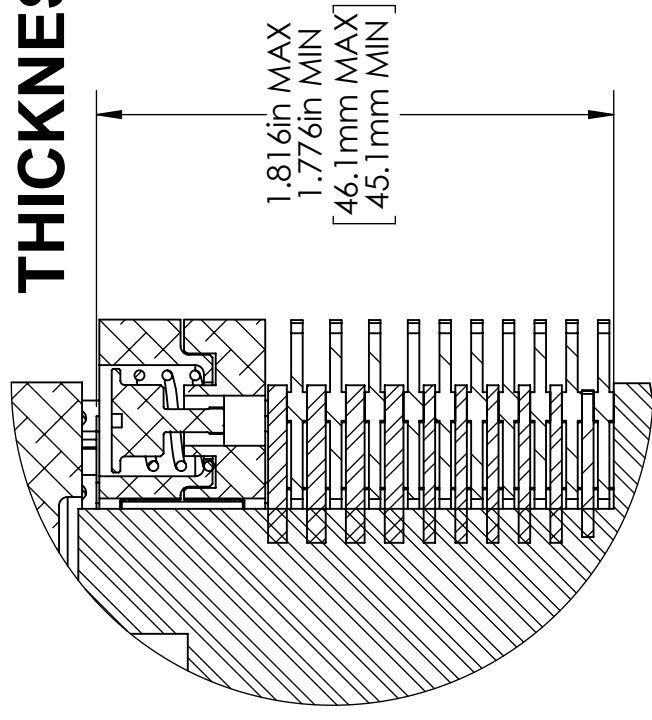
ENGAGEMENT RPM	EXP SPRINGS
LOW	3 GREEN & 3 GOLD
MEDIUM *	6 GREEN
HIGH	3 GREEN & 3 WHITE

* MEDIUM SETTING IS PREINSTALLED IN THE EXP DISC

SERVICE LIMITS

COMPONENT	STANDARD	SERVICE LIMIT
TORQDRIVE FRICTION	.068-.072in 1.73-1.83mm	.065in 1.65mm
EXP	.596-.616in 15.1-15.6mm	.586in 14.9mm

CLUTCH PACK THICKNESS



COMPONENTS

ITEM NO.	DESCRIPTION	QTY.
1	BASKET SLEEVES	12
2	TORQDRIVE FRICTION	10
3	JUDDER PLATE (WAVY EDGE)	1
4	DRIVE PLATE	9
5	THROW-OUT ADJUSTER	1
6	SPRING HOLD DOWN RING	1
EXP	EXP DISK	1
OE	OE COMPONENTS	VAR.