



# **INSTALLATION & USER'S GUIDE**

TorqDrive<sup>®</sup> Clutch Pack

Doc ID: 191-2801A  
Revision: 101722

# **TABLE OF CONTENTS**

OVERVIEW .....	2
INSTALLATION TIPS .....	2
TOOLS NEEDED.....	3
INCLUDED PARTS .....	4
DISASSEMBLE THE CLUTCH .....	4
CLUTCH PACK INSTALLATION.....	6
Notes for clutch pack installation .....	6
Install Clutch Pack.....	9
BREAK-IN.....	12
TROUBLESHOOTING.....	12
Clutch Drag .....	12
Clutch Slip .....	12
MAINTENANCE.....	13
Disk inspection examples .....	14
NEED ADDITIONAL HELP?.....	15

## **OVERVIEW**

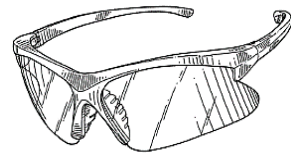
This guide shows you how to replace your OE (Original Equipment) or “stock” clutch pack with your new Rekluse TorqDrive<sup>®</sup> clutch pack. This clutch pack is designed specifically for your bike. The following parts are replaced:

- OE drive plates
- OE friction disks
- Pressure plate springs

## **INSTALLATION TIPS**






- Read the separate included Safety Information document before operating the vehicle with the product installed.
- Read this entire document before performing any steps.

- If you install this product for a customer or another person, instruct them to read the **Safety Information** document and the **Installation and User Guide** before operating the bike with the product.



- Protect eyes and skin – wear safety glasses and work gloves.
- Lay the motorcycle on its left side when replacing the clutch. This makes working on the clutch easier and eliminates the need to drain the oil. Catch any fuel that may drain from the bike.
- Use the torque values listed in the instructions. Otherwise, use the torque specifications found in your OE service manual.
- For optimal clutch performance Rekluse recommends using fresh, clean oil that **meets JASO-MA** oil rating requirements.
- **This clutch pack is not legal to race with in the AMA Limited or Stock class.**

## **TOOLS NEEDED**

	 8 mm	 10 mm	
Fluid Catch Container	8 mm Socket	10 mm Socket	Torque Wrench
			
Pick			

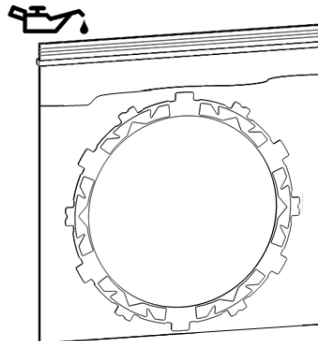
# **INCLUDED PARTS**

The parts included in the kit depend on the bike model. See the **Setup Sheet at the back of this manual** for a list of included parts and illustration.

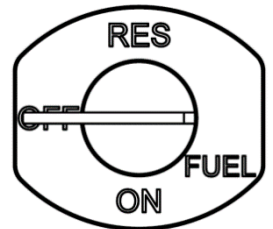
You can also visit our website at [www.rekluse.com/support](http://www.rekluse.com/support) for a full parts fiche illustration and part numbers.

## **DISASSEMBLE THE CLUTCH**

1. Soak the Rekluse friction disks in new oil for at least 5 minutes. Make sure the friction disks are coated on both sides.



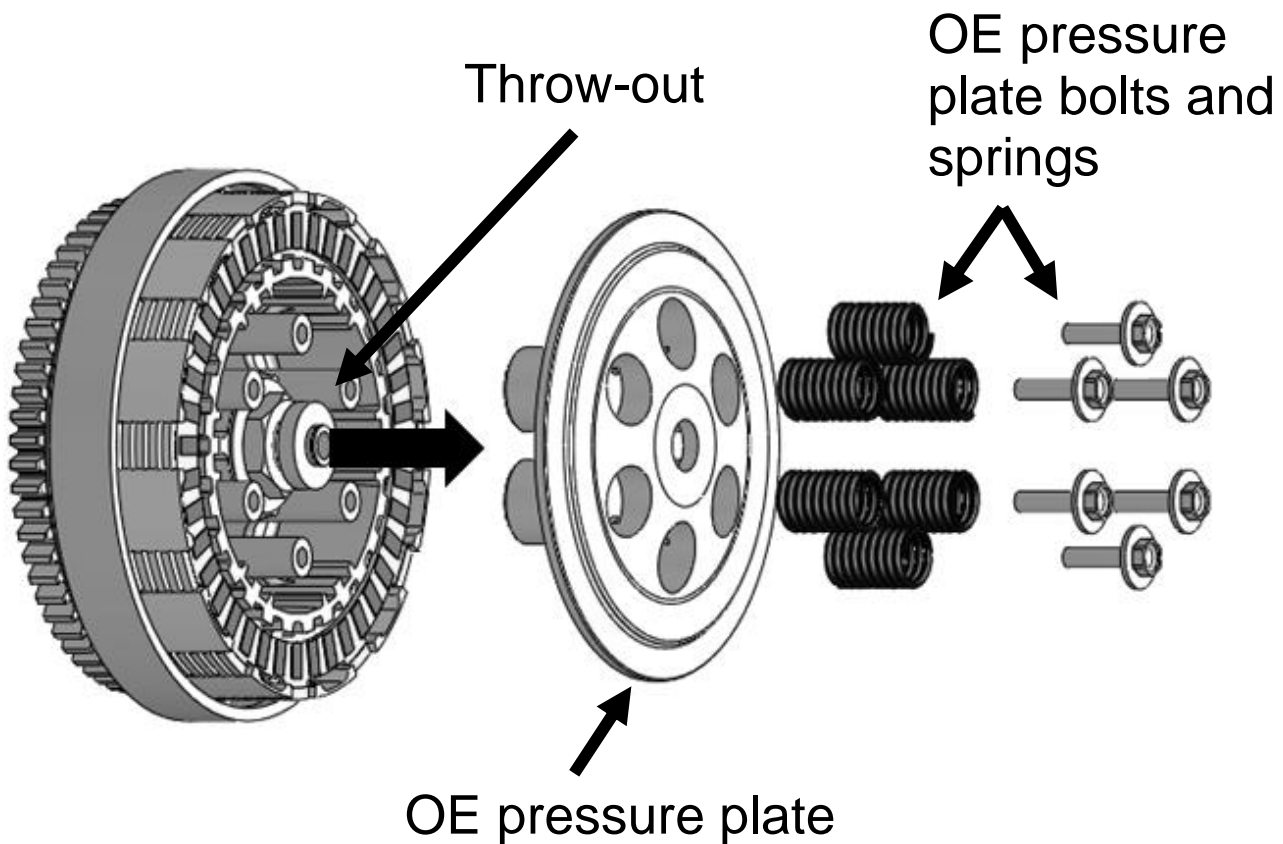
2. If applicable, turn the fuel petcock to “OFF.”



3. Lay the bike on its left side. Catch any fluids that might drain into a suitable container.

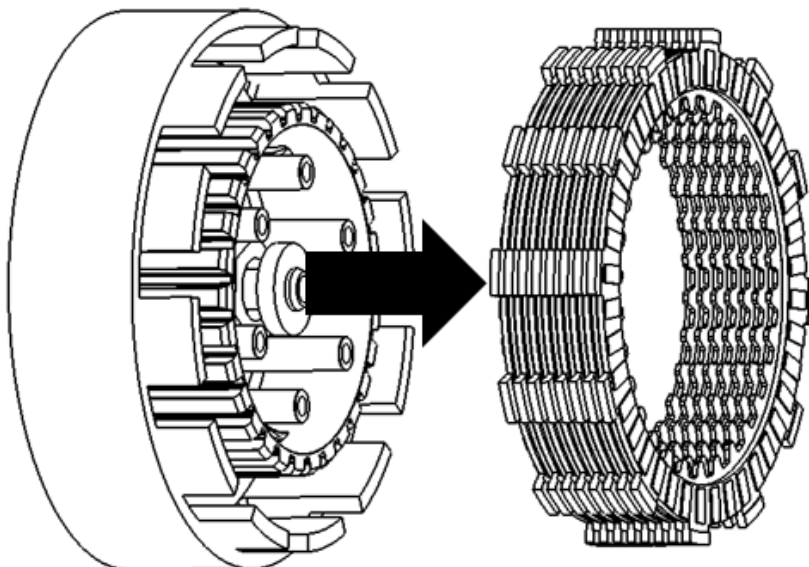


4. Remove the OE clutch cover. Set aside. It will be reused.
5. Use a 10 mm socket to remove the OE pressure plate bolts and springs. Set the bolts aside. They will be reused.
6. Remove the OE pressure plate.

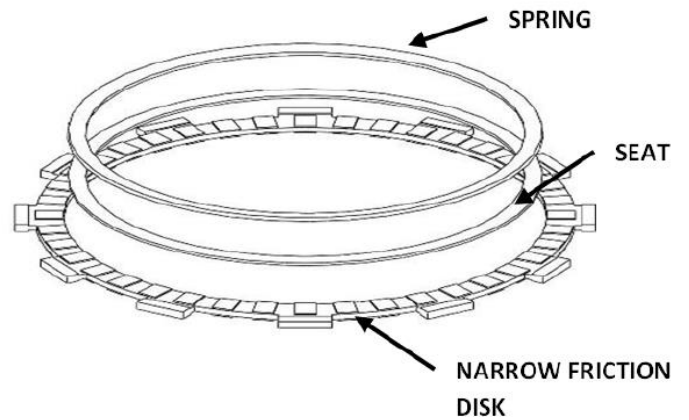


**Note:** *Throw-out washers can stick to the back of the pressure plate. Be sure to reinstall any throw-out washers back onto the throw-out.*

7. Remove the clutch pack.



**Note:** Some models have a clutch judder (boss) spring located in the bottom of the OE friction pack. This consists of a spring, seat and narrow friction. If your bike is equipped with these parts, remove them and set them aside.



## **CLUTCH PACK INSTALLATION**

### **Notes for clutch pack installation**

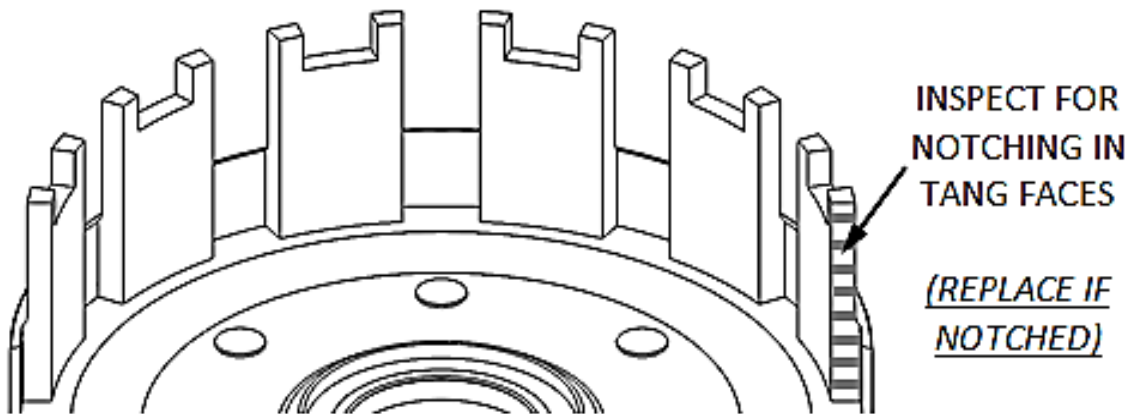
- Some friction disks are marked with a small colored dot. This mark is used for processing and can be ignored.
- Some OE basket have “half slots” at the top of the basket tangs. Rekluse products require the entire clutch pack be installed into the MAIN (deeper) basket slots. Do not use the “half slots.” See the following picture for reference.



- *Inspect the clutch basket for damper and/or spring play. Inspect the clutch basket for notching. Do not install sleeves or use product with a notched basket. Notched basket tang faces can cause the sleeves to break. Do not use baskets that have been filed, machined, or modified on the tangs. Replace basket if necessary.*

**⚠ WARNING**

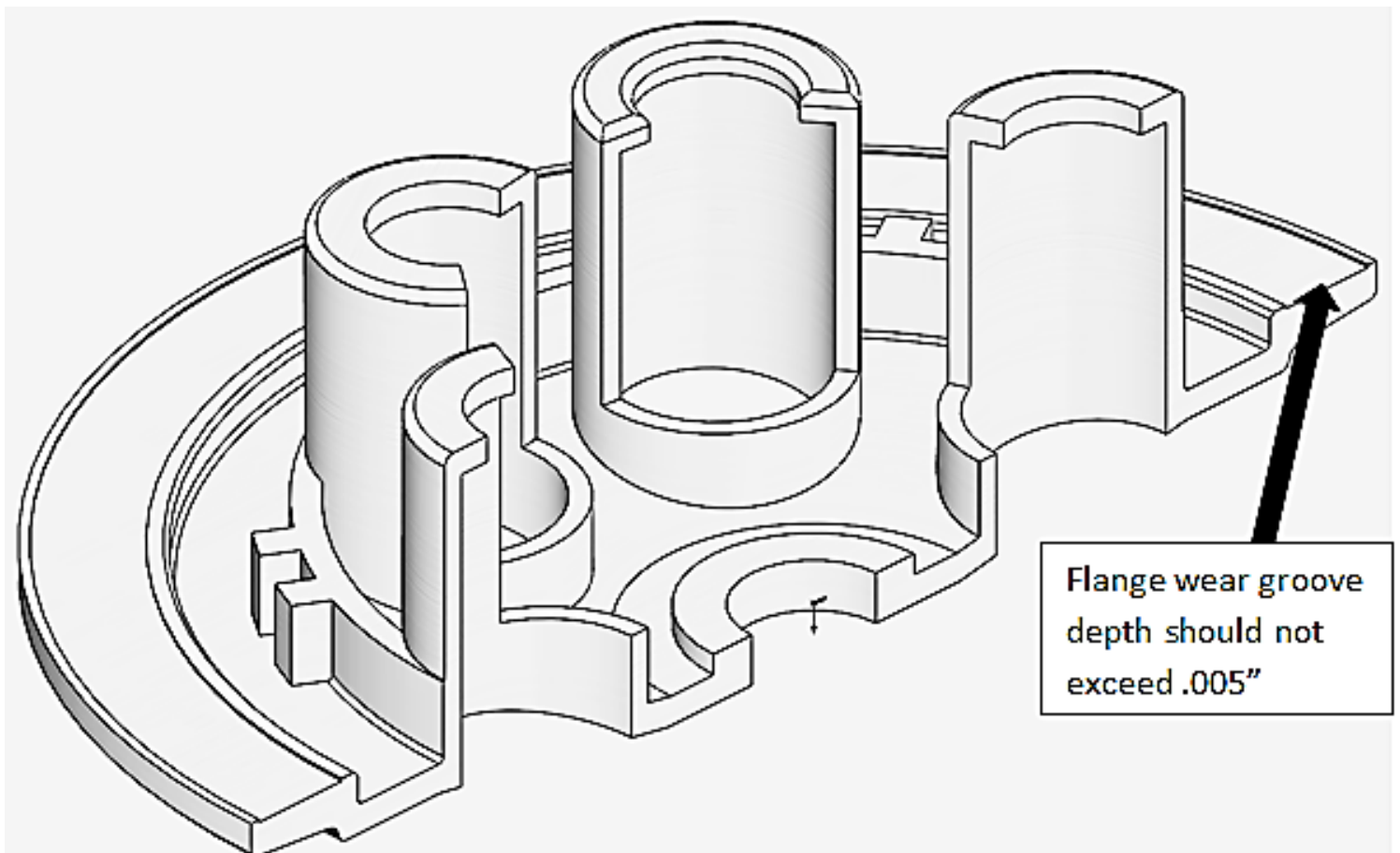
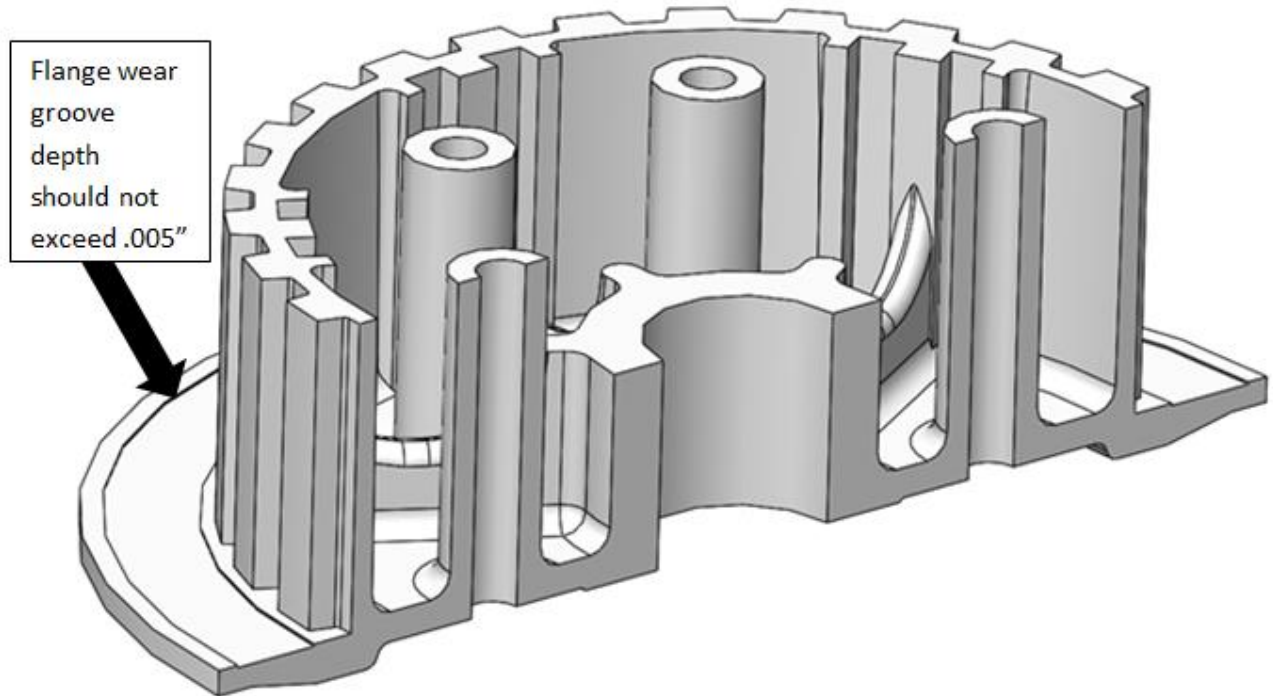
**Failure to inspect the basket and replace if necessary could result in death, serious injury, and/or property damage.**



**Note:** *If the basket is notched or worn, Rekluse recommends replacing it with a Rekluse Billet Clutch Basket (available for most models).*



- *Inspect your OE center hub and pressure plate flanges for excess wear. If wear is visible use a drop gauge to verify that the wear across the flange does not exceed .005" (.12mm).*



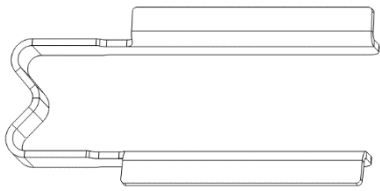


# Install Clutch Pack

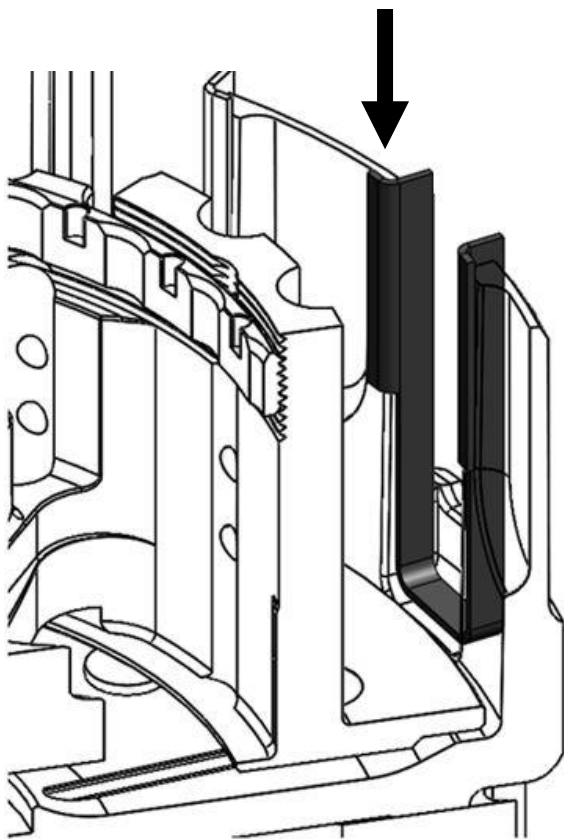
1. Install all of the Rekluse basket sleeves into the basket slots. Make sure the bottom of the sleeve is facing down, and the sleeve tabs sit against the inside of the basket. See following pictures for reference.

**Note:** For **Honda TRX450** and **Suzuki RM-Z 450/RM-X 450** applications with **stock basket**, use “w” sleeves included in kit. For **Honda TRX450** and **Suzuki RM-Z 450/RM-X 450** application with **Rekluse Basket**, use standard sleeves included in kit

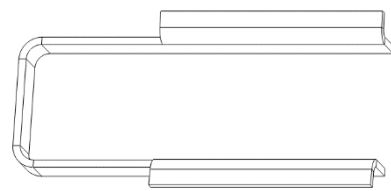
“W” Sleeve



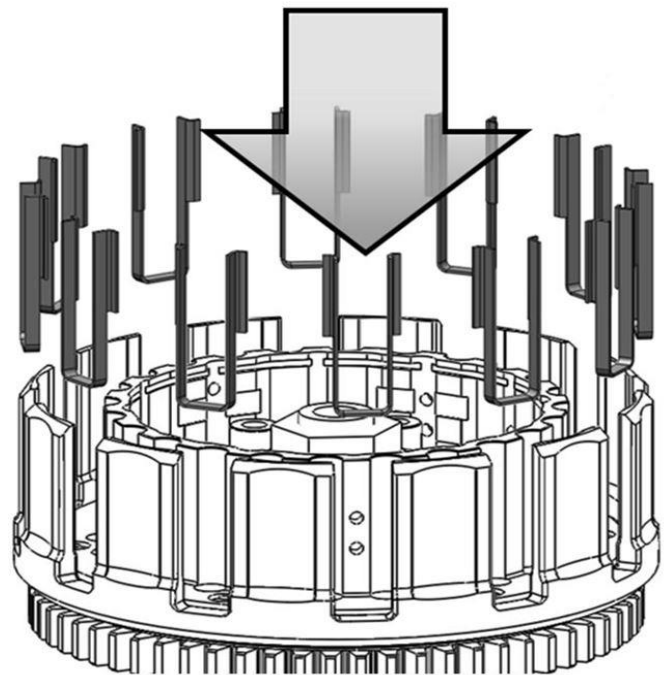
Sleeve tabs sit inside the basket



Standard Sleeve



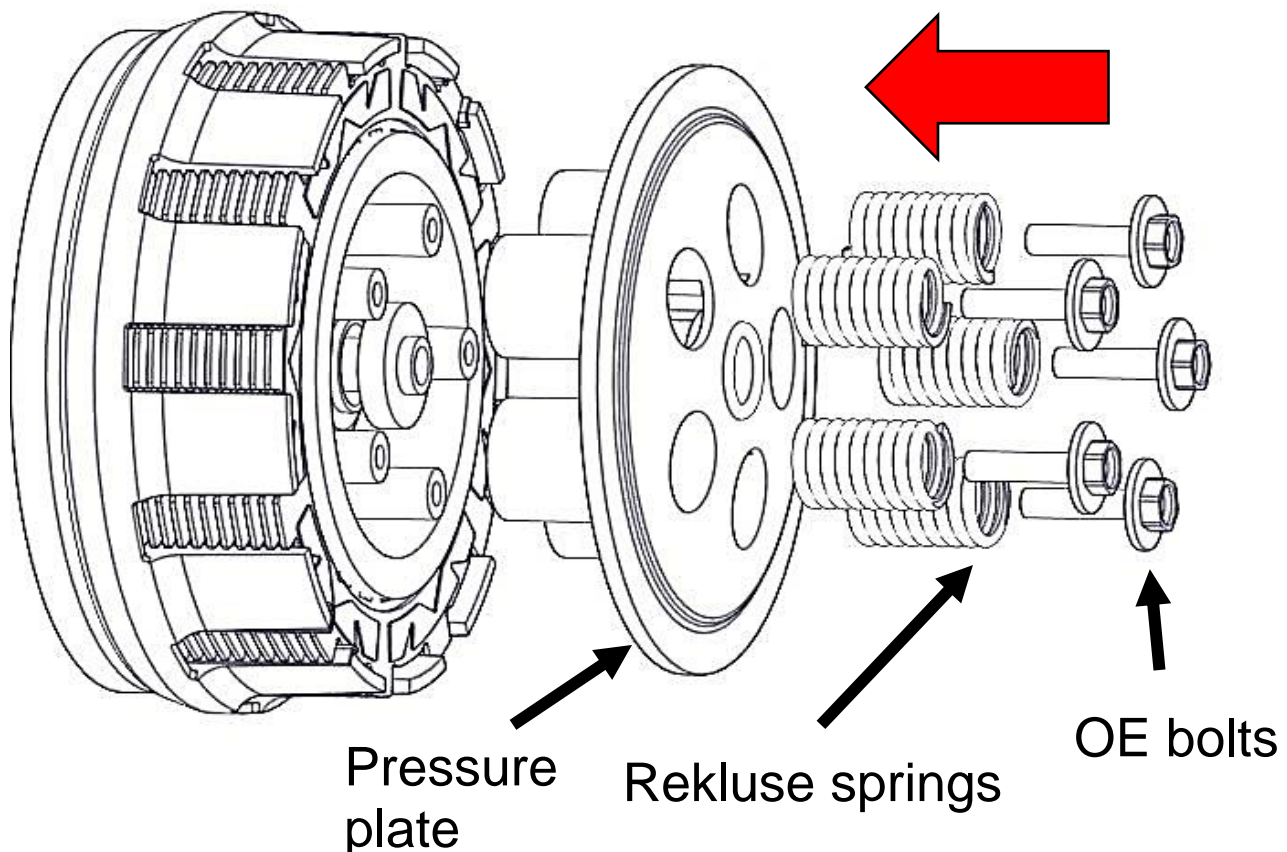
Install all the basket sleeves



**Note:** When seated in the basket, the sleeve tops may sit slightly above or below the top of the basket.

2. If the **Setup Sheet located at the back of the manual** shows that your bike model reuses the judder spring, reinstall only the judder spring, cupped side up.
3. Install the Rekluse clutch pack. The clutch pack varies depending on the bike model. See the **Setup Sheet located at the back of the manual for the proper clutch pack configuration**.
4. Reinstall the pressure plate, then install the Rekluse pressure plate springs and bolts. If no bolts are supplied, simply reuse your OEM bolts.

**Note:** If the clutch kit includes 2 different colors of springs, be sure to alternate the springs. This will ensure even pressure on the clutch.



**Note:** For Yamaha YZ250F (2019+), YZ250FX (2020+), & WR250F (2020+) when installing the pressure plate align the indent in the pressure plate with the indent in the center hub.



## ⚠ WARNING

The Rekluse TorqDrive® clutch can increase the torque transferred from the engine to the drivetrain. Do not use higher force pressure plate springs than those included in the kit. **Doing so can cause accelerated wear and fatigue to components that can lead to part failure, engine damage, bike or vehicle damage, injury, and/or loss of life.**

5. Torque the pressure plate bolts in small increments in a star pattern to OE specifications.
6. Install the supplied clutch cover spacing gasket if included in your kit. If none is supplied, simply reuse your OEM sealing gasket. Reinstall the clutch cover, then reinstall the cover bolts.
7. Lightly tightening the cover bolts in a star pattern. Torque the bolts in small increments in a star pattern before tightening the bolts to **89 in-lb (10 N-m) per OE specifications.**
8. Adjust the stock lever free play to OE specification or **10-20 mm (.4 -.8 in).**

**Note:** **Cable Actuated Clutches Only:** Adjust lever free play using the in-line cable adjuster and the perch adjuster.



# **BREAK-IN**

- Break-in will occur over the first 1-2 hours of use, depending on the rider. During break-in more clutch drag may occur than normal.
- It is recommended to do an oil change after 1-2 hours of riding to drain any excess clutch debris that occurred from break-in.

**Note: 4 strokes only:** It is normal for some clutch debris to be produced during break in. Following break-in, remove and inspect the OE oil filter. Clean or replace it if necessary. Remove and inspect any additional oil screens for clutch debris and clean or replace if necessary.

# **TROUBLESHOOTING**

## **Clutch Drag:**

- Cold Drag Only – If drag occurs only while the bike is cold, oil is the most likely cause. Be sure to warm up the bike before riding/racing. Use of new or lighter weight oil can help to minimize cold drag.
- Hot and Cold Drag –Check for any warped steel drive plates or frictions in the clutch pack, or other signs of wear caused by extreme heat.

## **Clutch Slip:**

- If clutch slip occurs, inspect the clutch for signs of wear or heat.
- Check clutch lever free play.

# MAINTENANCE

Rekluse clutches are built using high quality materials but do wear based on the rider's use, type of terrain, and natural wear and tear. Clutch longevity and performance is greatly increased with clean oil and other bike factors that reduce engine heat.

- Check clutch lever free play.
- Inspect all of your clutch parts at regular maintenance intervals for signs wear or excessive heat, and replace components as necessary. Clutch wear is dependent on the riders use.
- Inspect and replace basket sleeves if they appear to be notched from friction disks.
- Keep up with regular oil changes as per the bike manufacturer's recommendations. Clutch performance and longevity depend on clean oil.
- For optimal clutch performance Rekluse recommends using fresh, clean oil that **meets JASO-MA** oil rating requirements.
- Repeat the break-in procedure anytime you replace the friction disks. Always soak friction disks in new oil for at least 5 minutes before installing.

## Disk inspection examples

When inspecting the clutch pack, the following pictures can be used as a reference. **These are best viewed in color by viewing this install document at [www.rekluse.com/support](http://www.rekluse.com/support).**

**Drive Plates** – If the clutch pack is getting high amounts of heat, purple, blue, or black color can be seen on the drive plate teeth. See pictures below. Not all drive plates look the same and may look different than pictured.



Normal Heat

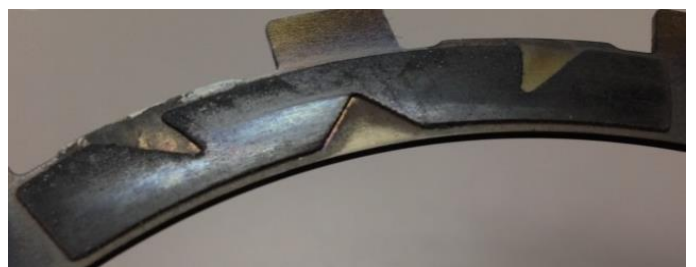
High Heat  
(Blue)

Excessive Heat  
(Black)

**Friction Disks** – Due to the dark color of the friction material, the friction disks will appear almost black as soon as they are put in oil. During inspection, look for glazing of the friction material. Glazing will appear shiny and feel like glass, even after oil is cleaned from the friction disk. Not all friction disks look the same and may look different than pictured.



Normal  
Friction



Glazed  
Friction

NEED ADDITIONAL HELP?

## **Website**

[www.rekluse.com/support](http://www.rekluse.com/support)

## **Frequently asked questions**

[www.rekluse.com/faq](http://www.rekluse.com/faq)

## **Support Videos**

[www.rekluse.com/support/videos](http://www.rekluse.com/support/videos)

## **Phone**

(208) 426-0659

## **Technical Support**

Contact Technical Support for questions related to product installation, tuning, and performance.

### **Hours:**

Monday thru Friday: 8:00 a.m. - 5:00 p.m.

Mountain Time zone

Email: [tech@rekluse.com](mailto:tech@rekluse.com)

## **Customer Service**

Contact Customer Service for additional product information, orders, and returns.

### **Hours:**

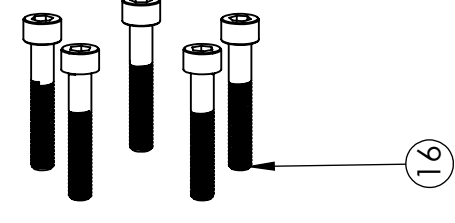
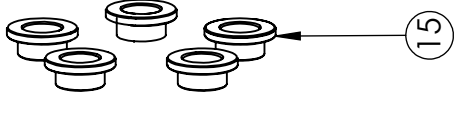
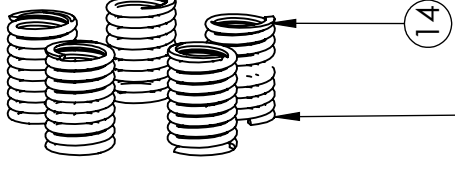
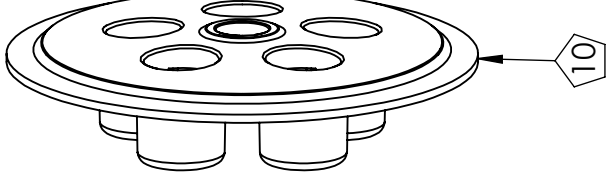
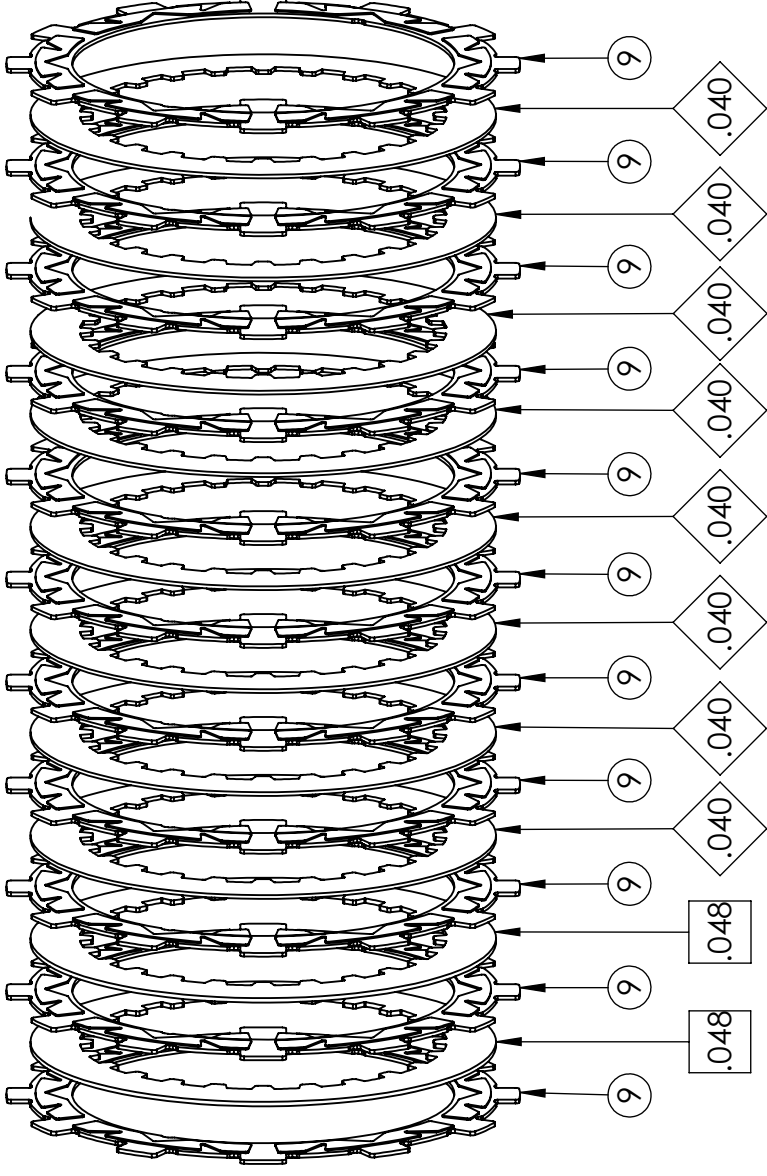
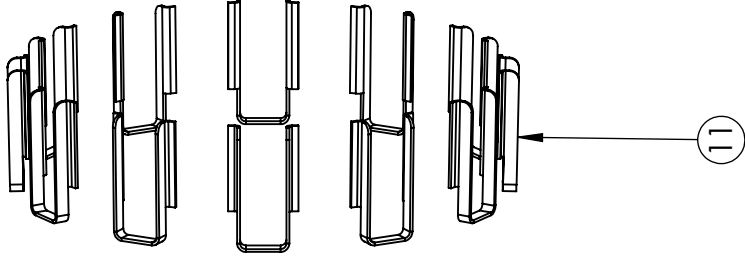
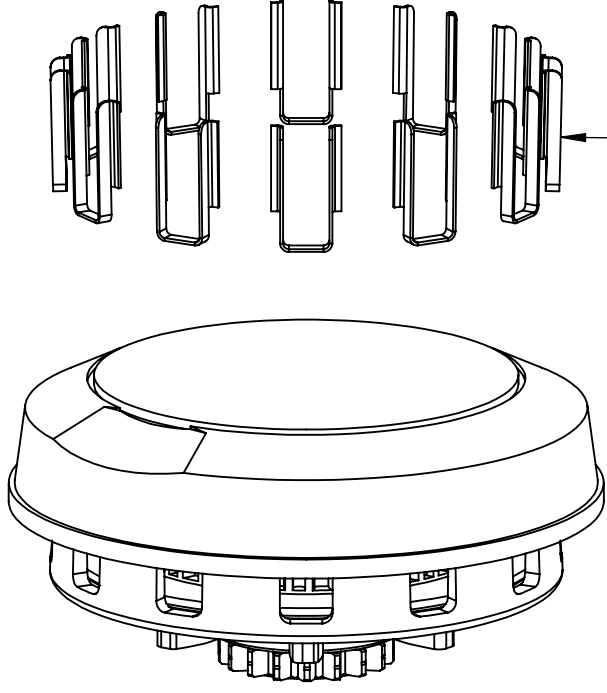
Monday thru Friday: 8:00 a.m. - 5:00 p.m.

Mountain Time zone

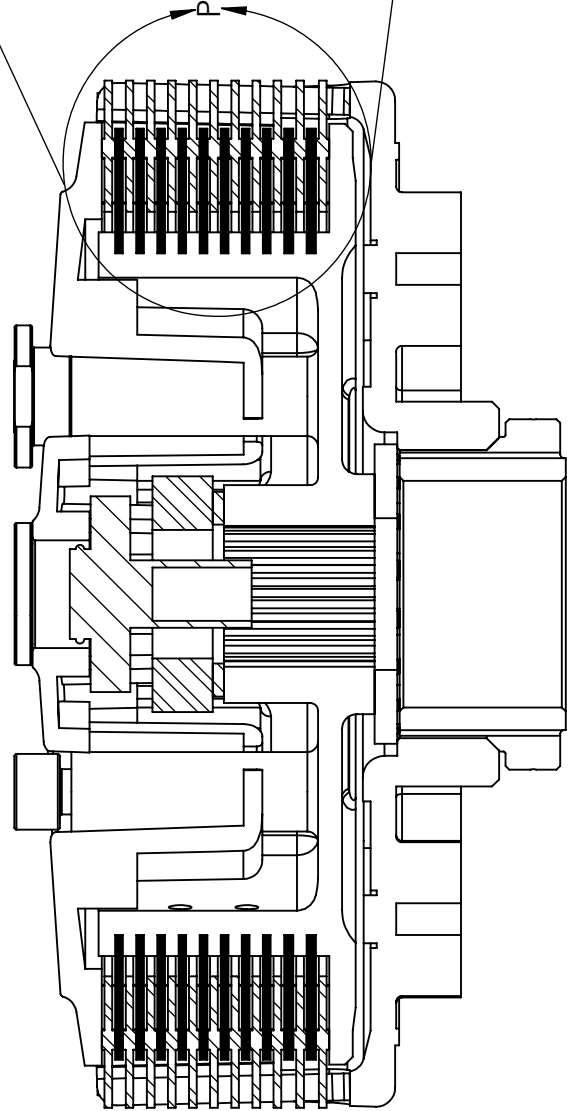
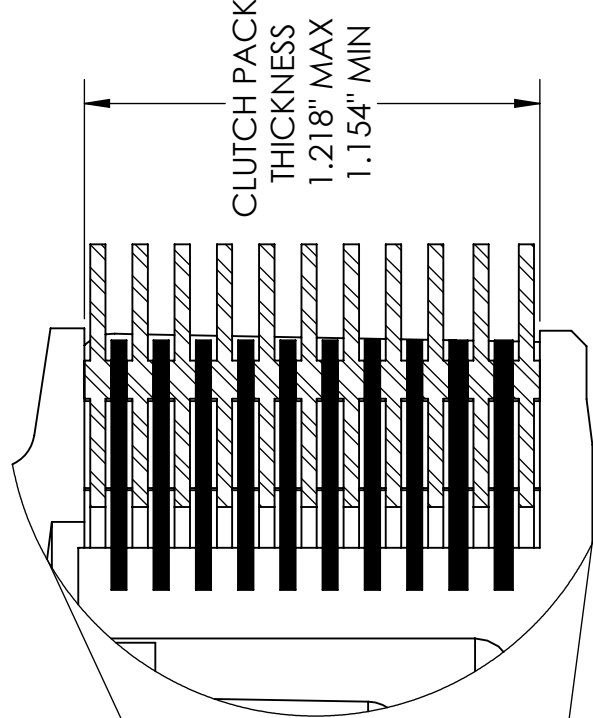
Email: [customerservice@rekluse.com](mailto:customerservice@rekluse.com)



# SETUP SHEET 198-2813037



**NOTE:**  
 For KTM 125 and stock  
 pre-2016 150 - use **WHITE** springs  
 For KTM 200 and modified or  
 2016+ 150 - use **BLUE** springs



DETAIL P  
 SCALE 2 : 1

ITEM NO.	PART NUMBER	QTY.
.048	REKLUSE DRIVE PLATE 0.048"	2
.040	REKLUSE DRIVE PLATE 0.040"	8
9	TORQ DRIVE FRICTION DISC	11
10	STOCK PRESSURE PLATE	1
11	REKLUSE BASKET SLEEVES	12
14	REKLUSE SPRINGS	5
15	REKLUSE SCREW SLEEVES	5
16	REKLUSE SCREWS	5