



# **INSTALLATION & USER'S GUIDE**

RadiusCX Clutch  
For KTM/Husqvarna DS Clutches

Doc ID: 191-7913A

Revision: 092723

# **TABLE OF CONTENTS**

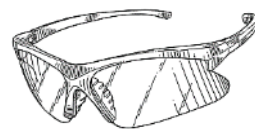
OVERVIEW .....	3
INSTALLATION TIPS .....	3
Tuning Note .....	4
TOOLS NEEDED .....	4
INCLUDED PARTS.....	4
DISASSEMBLE THE CLUTCH.....	5
CLUTCH PACK INSTALLATION.....	8
Notes for Clutch Pack Installation:.....	8
PRESSURE PLATE INSTALLATION .....	13
SLAVE CYLINDER INSTALLATION .....	17
Step 1: Bleed the new slave cylinder.....	17
Step 2: Replace OE slave cylinder .....	20
BLEED THE CLUTCH LINE .....	26
SET THE INSTALLED GAP .....	29
Step 1: Find the starting point.....	30
Step 2: Learn how to check Free Play Gain .....	31
Two Ways to Check for Free Play Gain.....	32
The Rubber Band Method .....	33
The Hand Method.....	35
Step 3: Break-in the new clutch .....	35
Step 4: Adjust the installed gap and Recheck Free Play Gain...	38
FREE PLAY GAIN ADJUSTMENTS.....	39
MAINTENANCE .....	40
Disk inspection examples .....	42
TROUBLESHOOTING .....	43
Performance issues.....	43
Clutch noise.....	43
EXP TUNING OPTIONS .....	45
Configuration Chart .....	45
Changing the springs.....	46
BUMP-STARTING.....	48
NEED ADDITIONAL HELP?.....	49

# **OVERVIEW**

This kit replaces many of the OE (Original Equipment) clutch parts while reusing some of the OE clutch parts. These parts are designed specifically for your motorcycle to ensure optimal performance. The following is a summary of what is replaced.

- The OE center clutch hub, pressure plate, clutch cover, and clutch pack are replaced with high-quality billet components.
- All OE steel drive plates will be replaced with Rekluse TEC drive plates.
- All OE friction disks will be replaced with Rekluse TorqDrive® disks.

# **INSTALLATION TIPS**



- Read the safety information sheet included with your kit.
- Protect eyes and skin – wear safety glasses and thin disposable work gloves.
- Read this entire document before performing any steps.
- Lay the motorcycle on its left side when replacing the clutch. This makes the clutch work easier and eliminates the need to drain the oil.
- Use an air or electric impact wrench to remove the center clutch nut. If one is not available, you can place the bike in top gear and hold the rear brake while loosening the center clutch nut with a socket and breaker bar.
- Channel-lock pliers work best to bend the tabs of the washer up over the center clutch nut.

- For optimal clutch performance Rekluse recommends using fresh, clean oil that **meets JASO-MA** oil rating requirements. Rekluse offers Factory Formulated Oil™ developed specifically for Rekluse products. Rekluse Factory Formulated Oil is a perfect complement to any OEM or aftermarket wet clutch. Visit [www.rekluse.com](http://www.rekluse.com) to learn more.

## **Tuning Note:** (especially for 2-stroke owners):

- Once installed, if you desire your clutch to engage more aggressively, one option is to purchase the heavier Belleville spring from KTM (KTM calls it the “280” spring).
- Replacing this spring makes the clutch engagement more aggressive. However, this will increase the pull on the clutch lever.
- The part number is KTM Part #: 78932005000

## **TOOLS NEEDED**

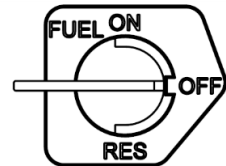
- 4 mm hex key
- 5 mm hex key
- 8 mm socket
- 27 mm socket
- Wrench set
- Torque wrench
- Fluid catch container
- Channel-lock pliers
- T-25 Torx bit (provided)

## **INCLUDED PARTS**

Refer to the included Parts Fiche or visit [www.rekluse.com/support](http://www.rekluse.com/support) for a full parts illustration and part numbers.

# **DISASSEMBLE THE CLUTCH**

1. Turn the fuel petcock to “OFF” if applicable.



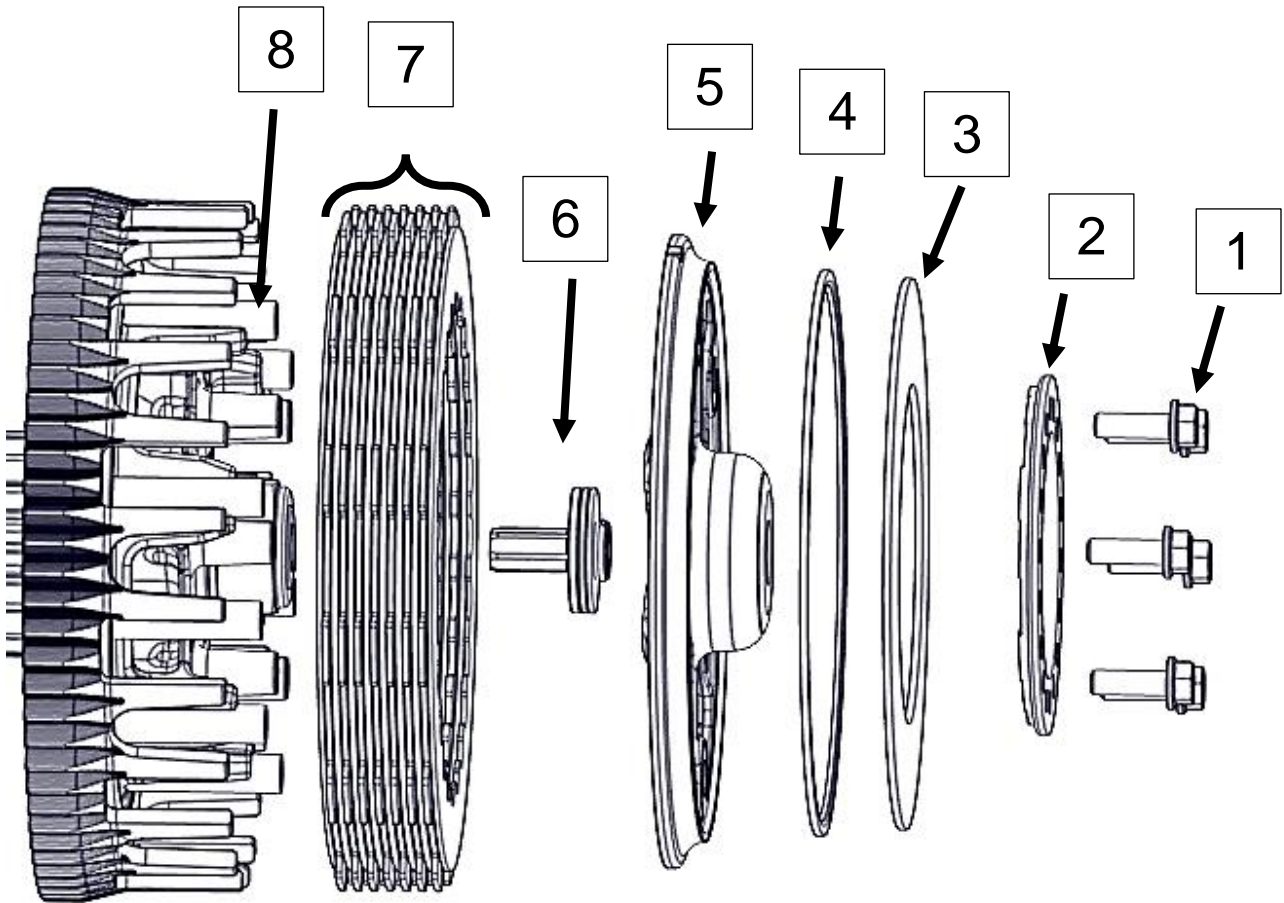
2. Lay the bike on its left side. Catch any fuel that might drain in a suitable container.



3. Use an 8 mm socket to remove the clutch cover. If your bike has an oil plug, loosen the plug before removing the cover.



4. Remove the following OE parts. When removing the Bellville spring, make sure to note the orientation of the spring. See following picture for reference.

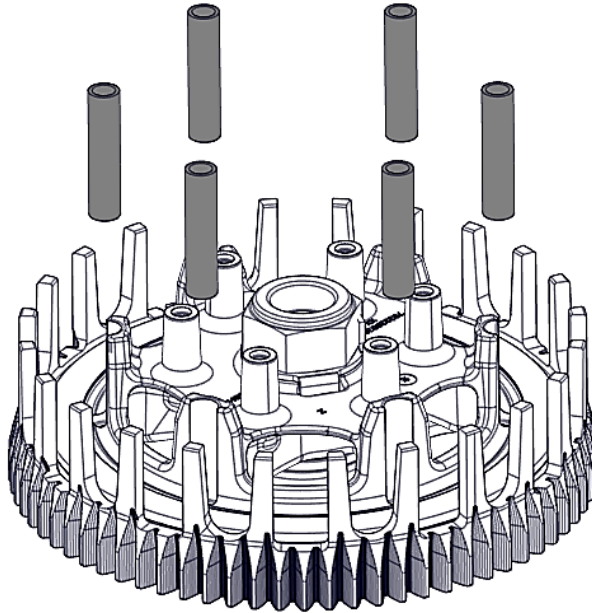


1	6 pressure plate screws
2	Spring ring
3	Belleville spring
4	Slider ring
5	Pressure plate
6	Throw-out bearing and washer
7	Clutch pack
8	6 Drive pins

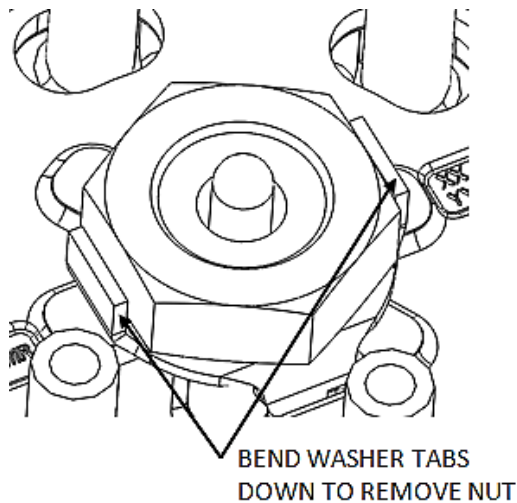


**⚠ CAUTION**

***Be careful that the drive pins do not fall into the engine while disassembling.***

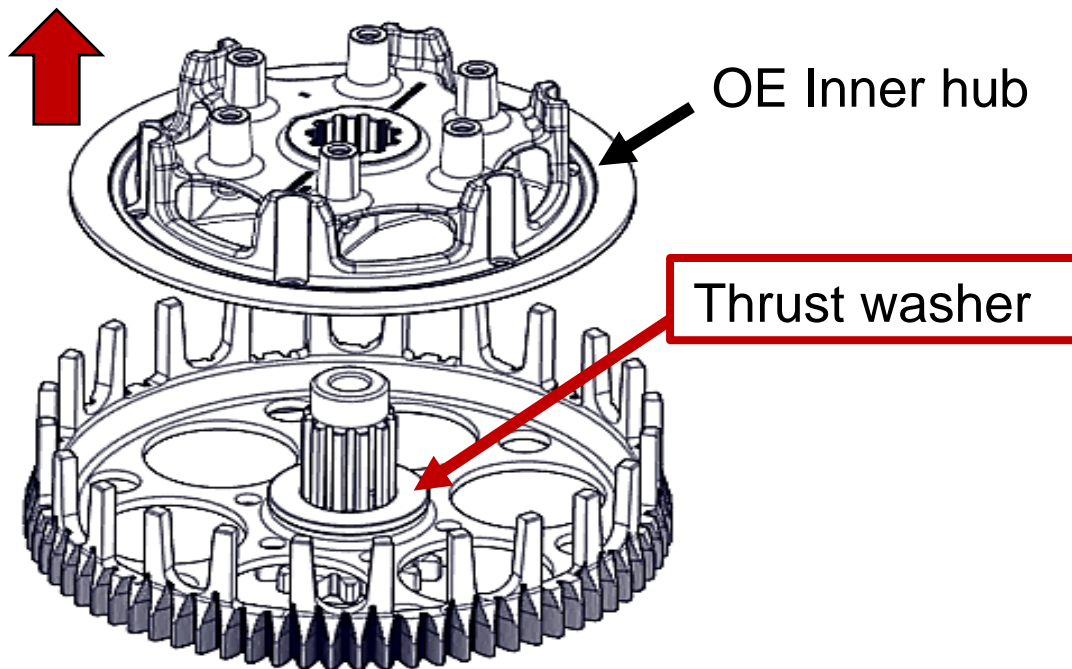


5. If the bike uses a lock tab washer, use a hammer and large screwdriver to bend down the tabs of the washer tab



6. Remove the center clutch nut with an impact wrench or breaker bar, and a 27 mm socket.
7. Remove the OE center hub washer.
8. Remove the OE center hub from the clutch basket while leaving the thrust washer on the main shaft.

**NOTE:** Check that the thrust washer is still on the main shaft and not stuck to the bottom of the center hub assembly. Missing the thrust washer will cause clutch performance issues.



## **CLUTCH PACK INSTALLATION**

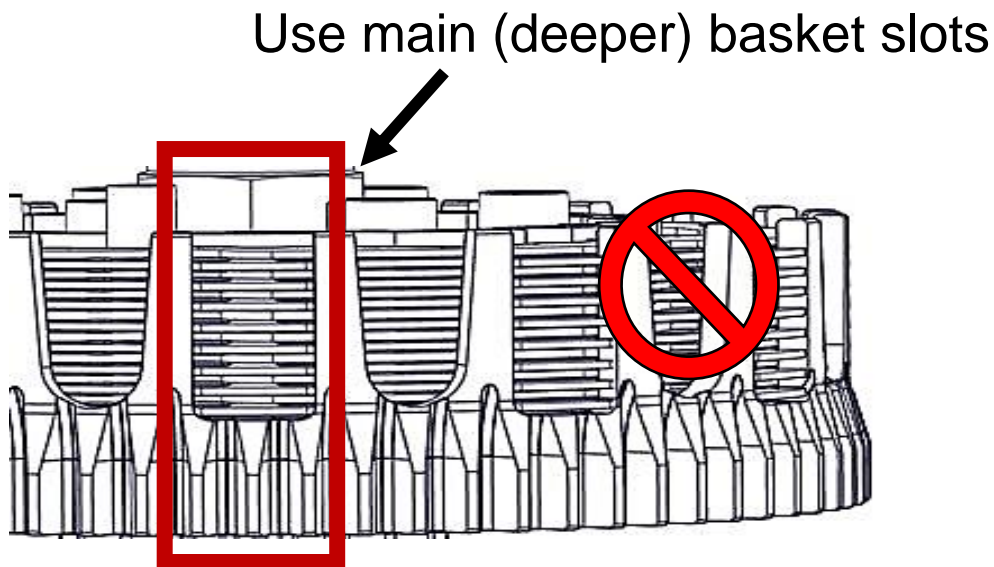
The clutch pull effort has different settings and depends on the thickness of the clutch pack. You will need to measure the clutch pack before you begin if you wish to optimize the clutch pull effort vs. clutch performance. Please refer to the **Setup Sheet located at the back of the manual** for clutch pack specifications and information.

### **Notes for Clutch Pack Installation:**

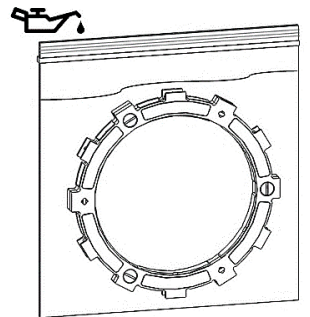
- Some friction disks are marked with a small colored dot. This mark is used for processing and can be ignored.



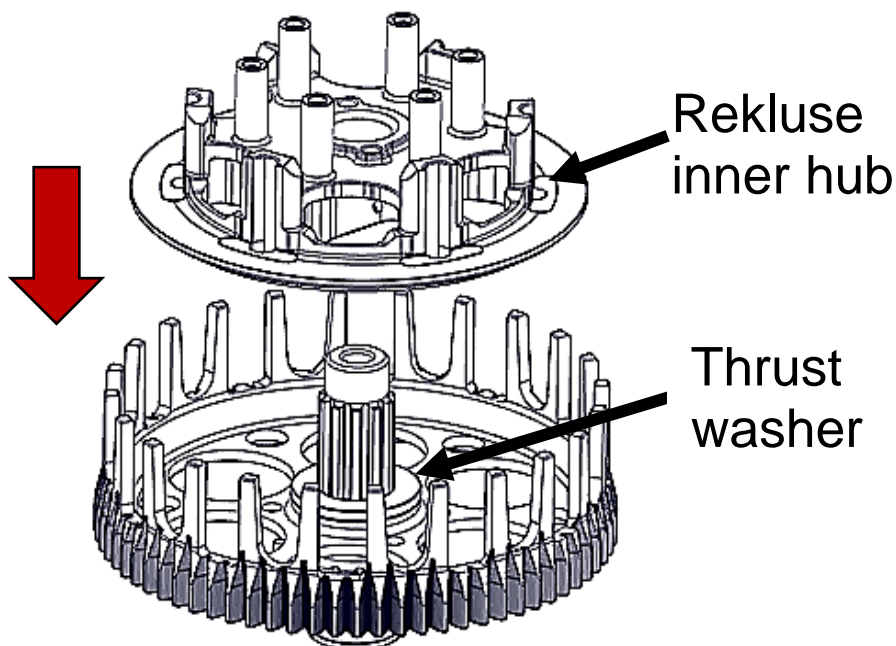
- Some OE basket have “half slots” at the top of the basket tangs. Rekluse products require the entire clutch pack be installed into the MAIN (deeper) basket slots. Installing the pack in the “half slots” will cause performance issues. See the following picture for reference.



1. Soak the friction disks and EXP disk in new oil for at least 5 minutes. Make sure the EXP and friction disks are coated on both sides.



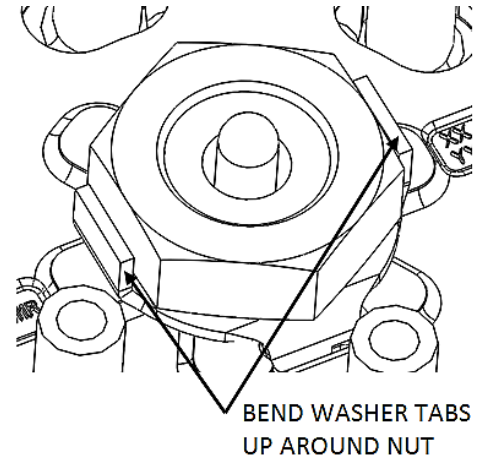
2. Install the new Rekluse center hub into the clutch basket. *Make sure the thrust washer is still in place.*



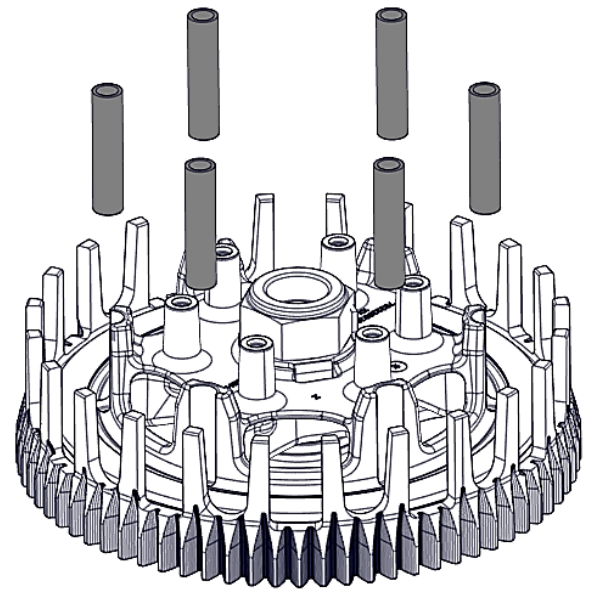
3. If your kit includes a lock tab washer, use this. If it does not, reuse the OE washer.

4. Using the 27 mm socket and torque wrench, torque the center clutch nut to **50 ft-lb (68 N-m)**.

5. Using the channel-lock pliers, bend up **both** tabs of the tab washer around the nut.

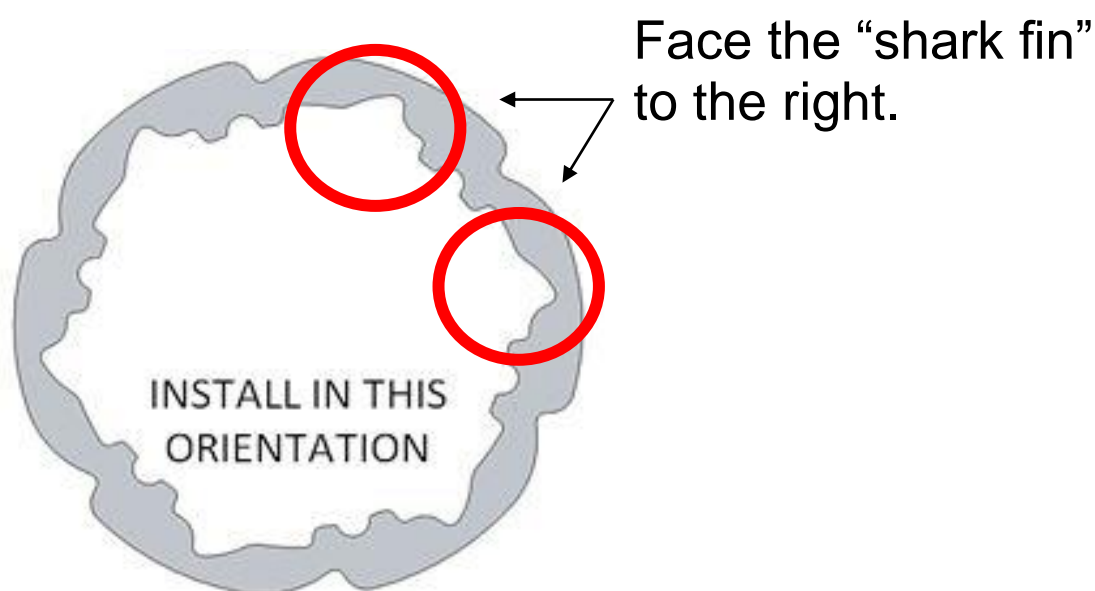


6. Seat the 6 OE drive pins into the Rekluse inner hub.

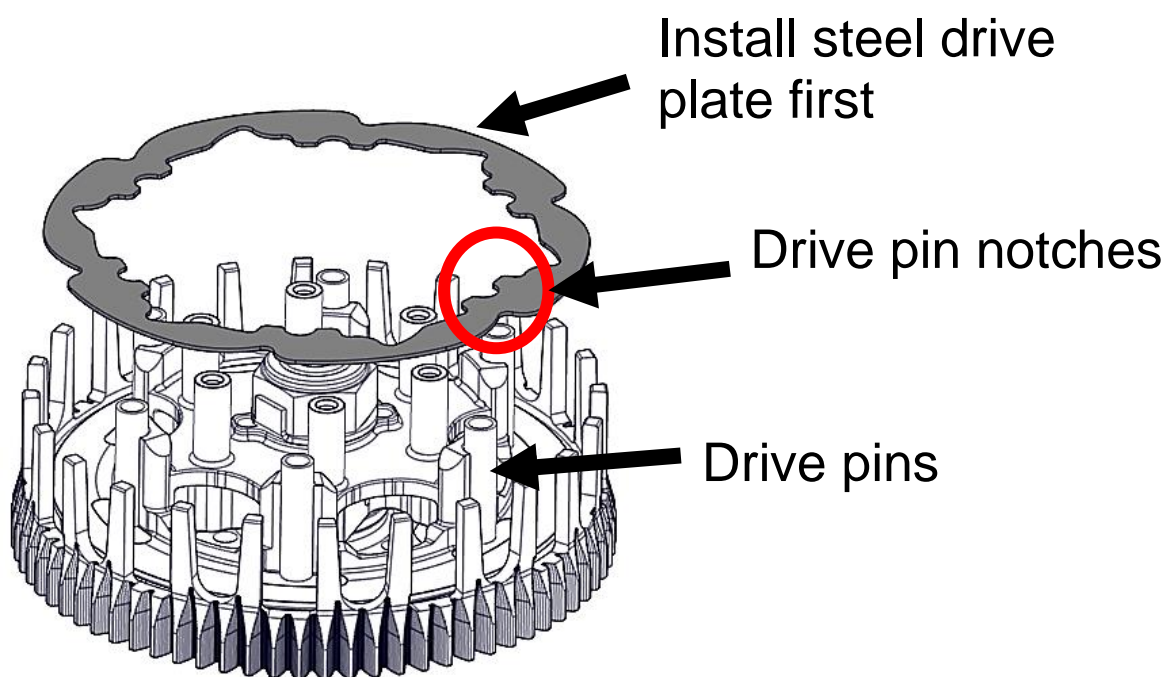


7. Hold a TEC drive plate so that the “shark fin” notches face toward the right. **All the drive plates will follow this orientation.**

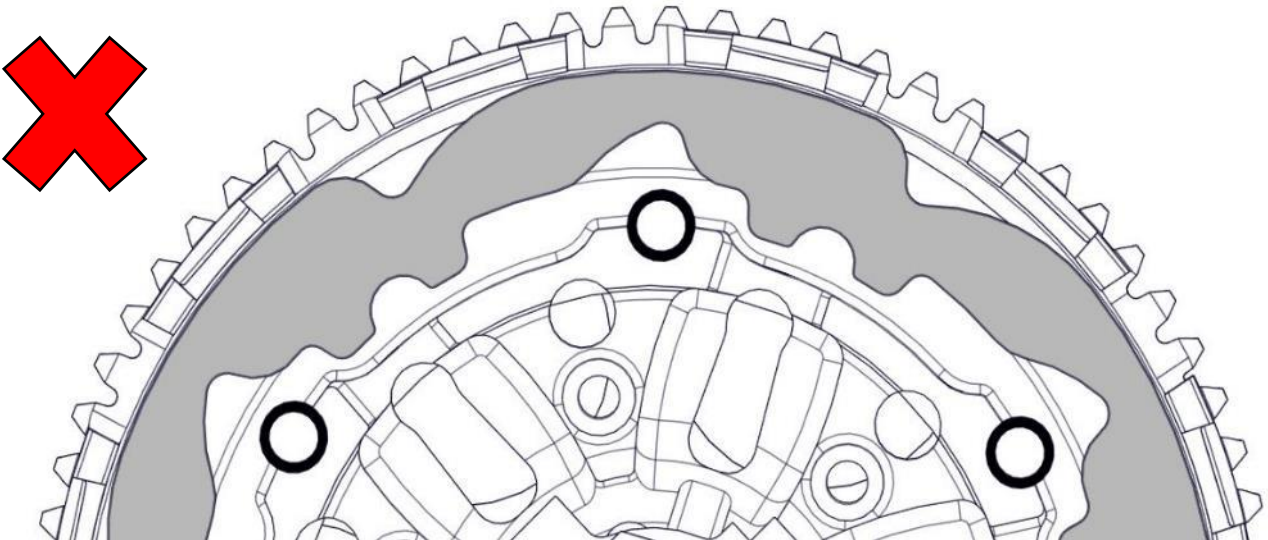
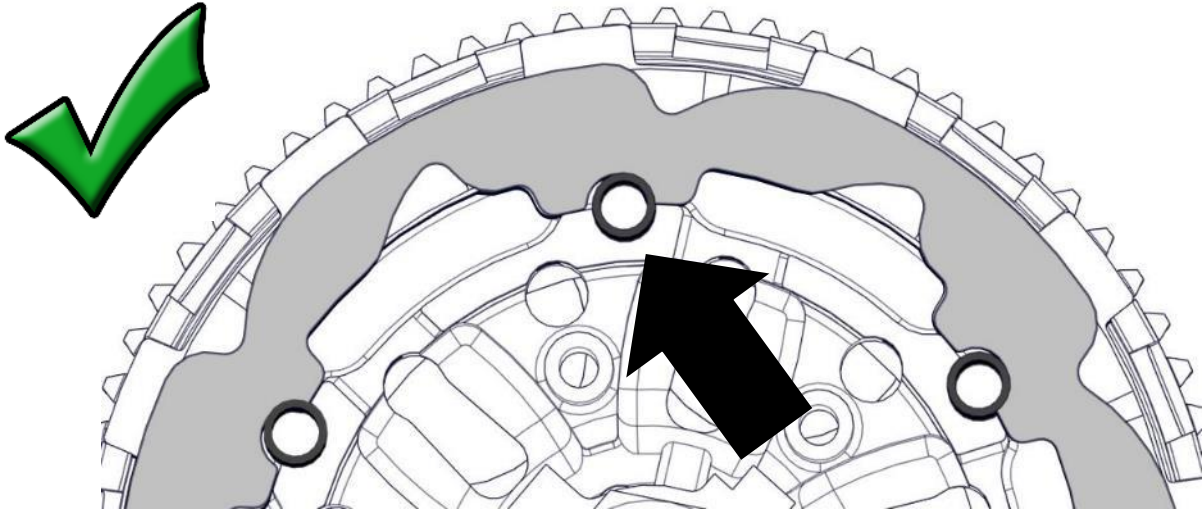
**Note:** Proper orientation of the drive plates is critical for optimal clutch performance. If you install them backwards, the clutch will still function but will lack proper modulation performance.



8. Align the drive pin notches in the steel drive plate with the drive pins on the hub, then install the drive plate into the basket. Be sure that the drive pins are seated in the notches and not in the bigger sections.



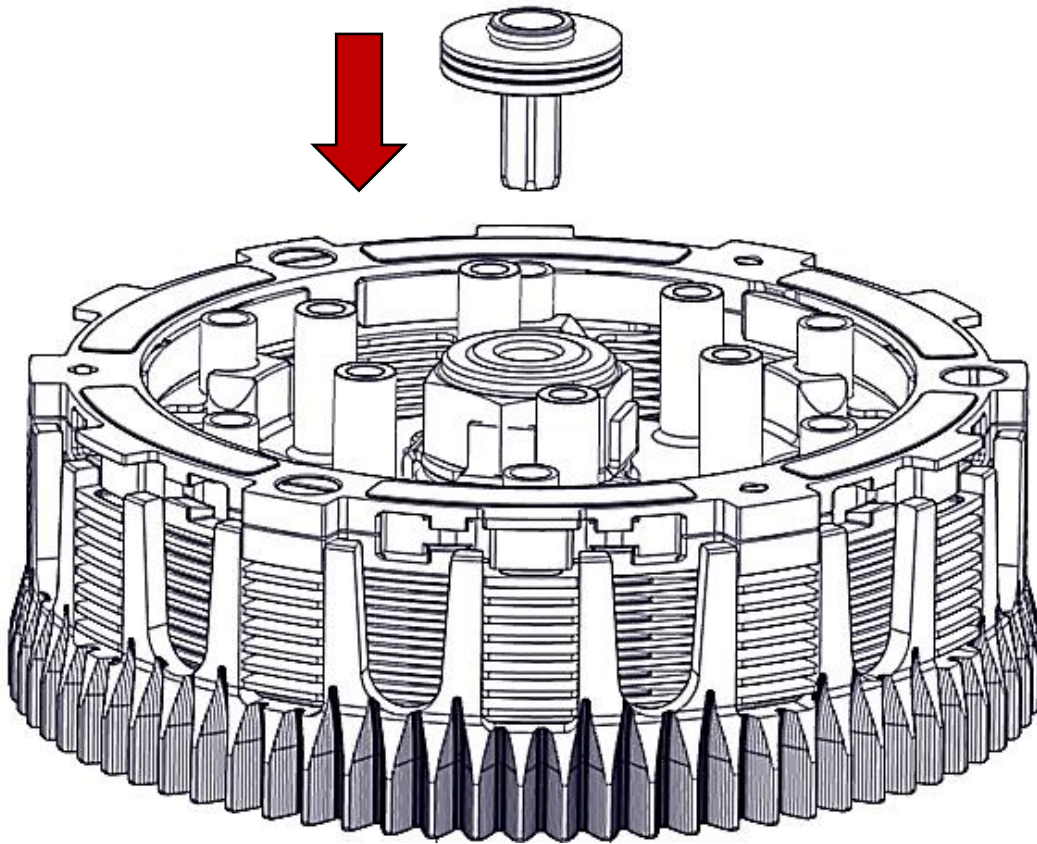
**Note:** ALL the steel drive plates must be aligned in the drive pins notches or damage may occur. The plates will not move when installed correctly.



9. On top of the steel drive plate, install a Rekluse friction disk.
10. Continue alternating the steel drive plates with the friction disks for the entire Rekluse clutch pack. Refer to the **Setup Sheet** included with the clutch kit for installation order and clutch pack specifications.
11. Install the EXP disk on top of the last steel drive plate. *Make sure the EXP disk is seated in the main basket slots along with the clutch pack.*

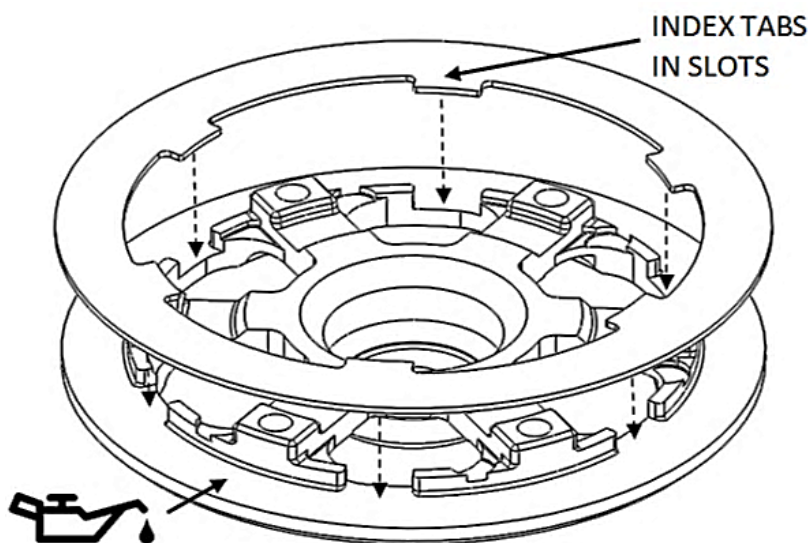


12. Reinstall the OE throw-out.



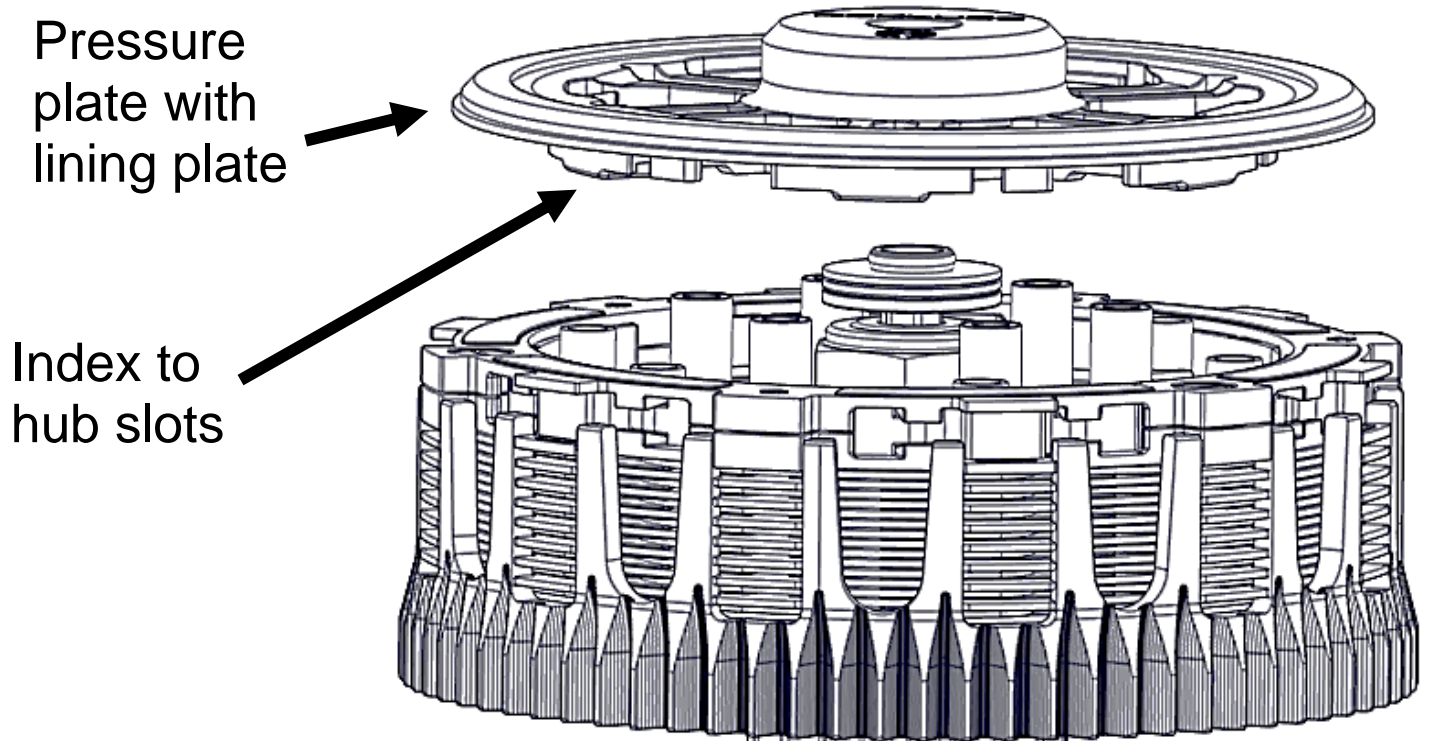
## **PRESSURE PLATE INSTALLATION**

1. Add a light film of oil between the lining plate and pressure plate. This will help the plates stick together for ease of installation.
2. Install the supplied lining plate onto the new Rekluse pressure plate by lining up the index tabs into the slots.

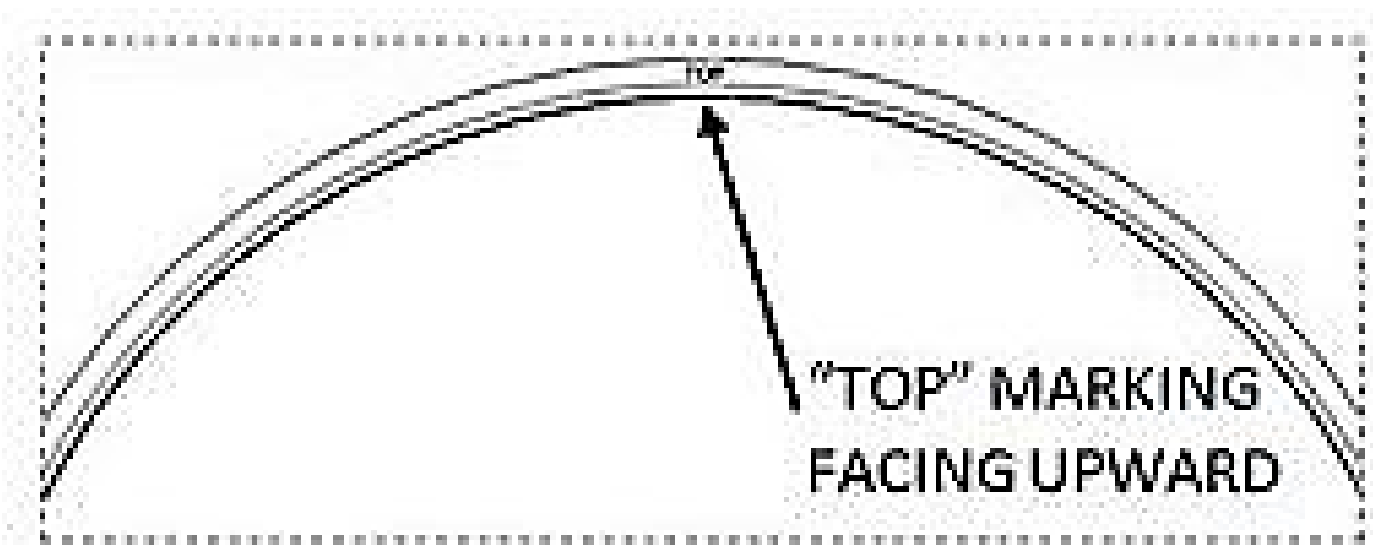


3. Install the pressure plate subassembly by lining up the index tabs on the pressure plate with the slots in the hub.

**NOTE:** When the pressure plate is seated correctly, the threaded standoffs will come through the openings of the pressure plate.



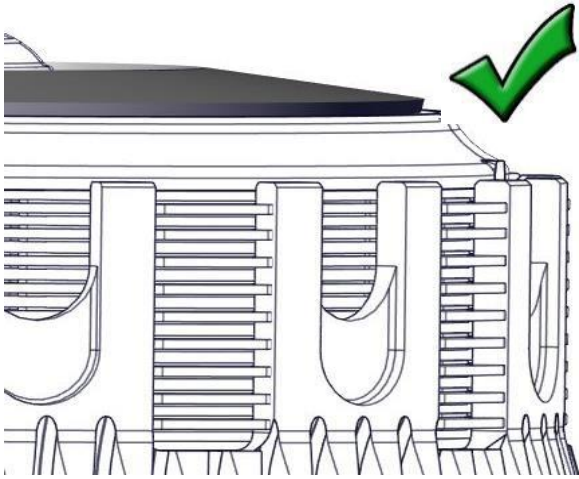
4. Place the OE slider ring on the pressure plate with the "top" marking facing up. (The top side is rounded and the bottom edge is sharp.)



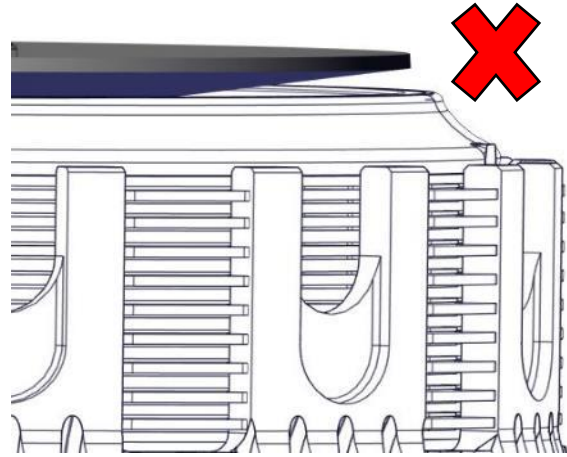


5. Place the OE Belleville spring onto the slider ring, with the rounded dome side facing up.

**NOTE:** *The outer edge of the Belleville spring will make contact with the slider ring. If it does not, the Belleville spring is upside down.*



**Correct** – The Belleville spring sits flat against the slider ring.



**Incorrect** – The Belleville spring is upside down.

6. Install the OE pressure ring, flat side up.

**NOTE:** *There are 3 possible settings on the OE pressure ring that will be reused with the Rekluse Clutch system. These settings will be listed as I, II, III or X, Y, Z depending on model. To select the correct setting, you must refer to the setup sheet for optimized performance. The thickness measurement of the Rekluse clutch pack will determine the setting to be used on the OE pressure ring.*

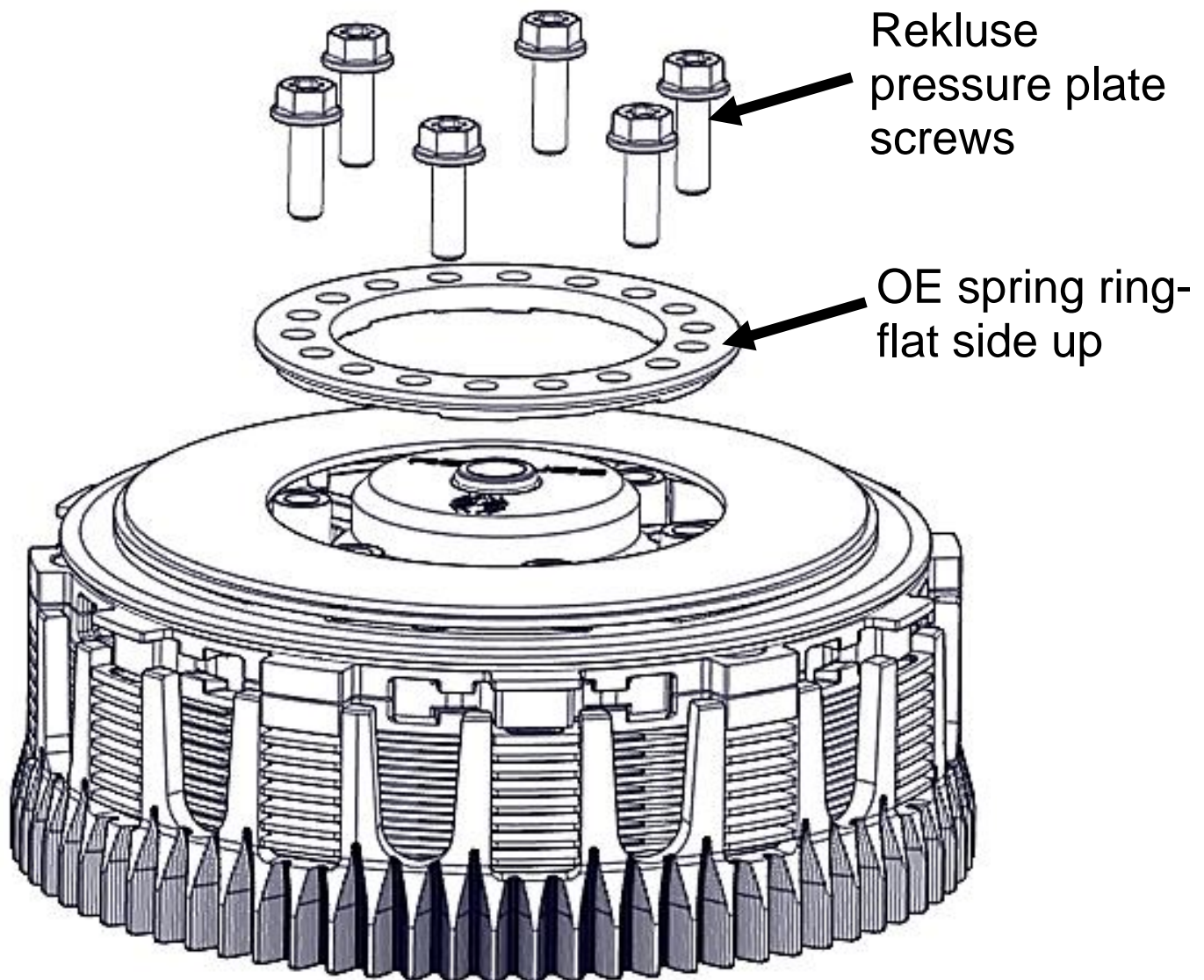
**Clutch damage can occur if you do not use the correct OE pressure ring setting as stated in the Rekluse set-up sheet.**

7. Install the Rekluse pressure plate screws.

**⚠ CAUTION**

***Do not reuse the OE screws, or clutch cover interference will occur!***

8. Loosely tighten the screws, then use the T-25 Torx bit and torque wrench to tighten the screws in a star pattern to **55 in-lb (6 N-m)**.



9. Remove the OE cover gasket from the OE clutch cover and install it onto the new Rekluse clutch cover.

10. Install the Rekluse clutch cover, then lightly tightening the cover bolts in a star pattern. Tighten bolts in small increments before torqueing the cover bolts to OE specifications.

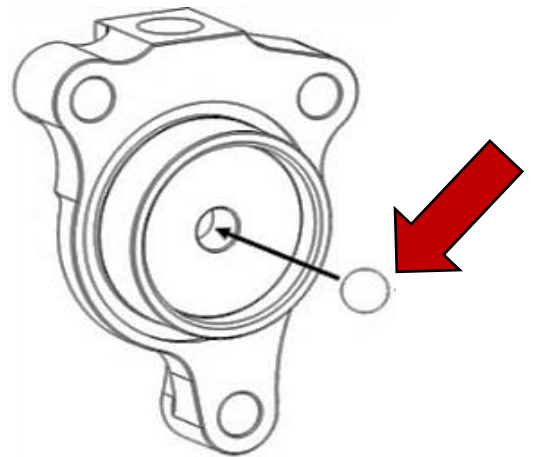
**NOTE:** If your bike has an oil plug, transfer the OE oil plug to the new Rekluse clutch cover.

## **SLAVE CYLINDER INSTALLATION**

Installing the new Rekluse slave cylinder takes several steps. Please read the entire section before beginning the process to ensure you have the right equipment and clutch fluid needed for the replacement. Rekluse recommends wearing gloves and safety glasses for the install.

### **⚠ CAUTION**

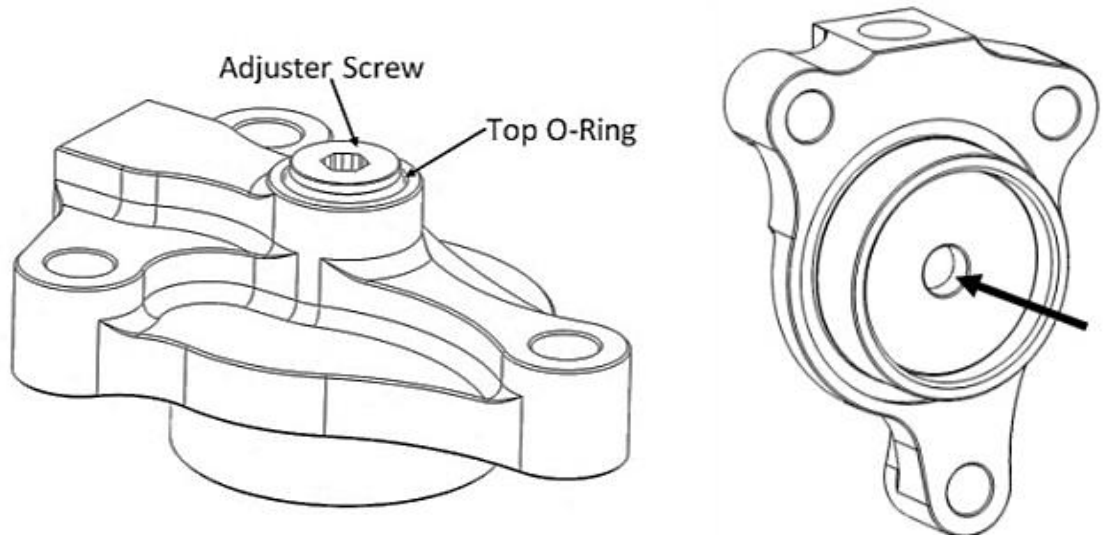
*During the bleed and assembly, note that there is a small ball bearing installed in the slave piston with a small amount of grease. When installing the Rekluse slave cylinder, make sure the ball is in place and has not come loose.*



### **Step 1: Bleed the new slave cylinder**

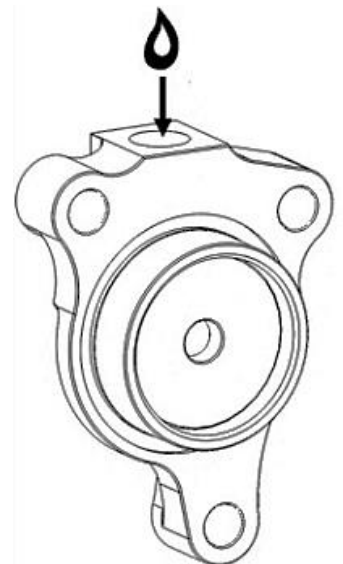
This step prepares the new slave cylinder for installation. Bleed the cylinder on a workbench or an area away from the bike.

1. Using a 4 mm hex key, turn the adjuster screw counterclockwise so that the top O-ring is visible under the adjuster screw.



2. Use your thumbs to compress the piston until it bottoms out, then release it.

3. Pour the recommended clutch fluid into the slave cylinder port.

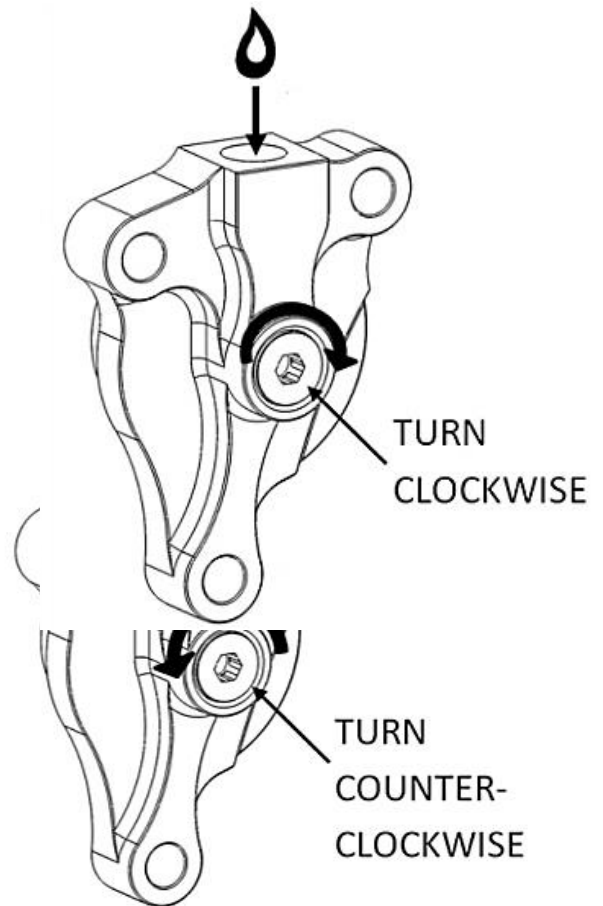


**⚠ CAUTION**

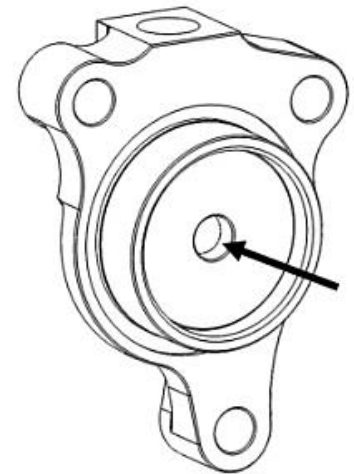
***Be sure to use the correct clutch fluid. Check the cap of the clutch master cylinder to determine which clutch fluid to use. Failure to use the correct fluid will result in seal damage and/or failure.***



4. Use a 4 mm hex key to turn the adjuster screw clockwise until it bottoms out and the O-ring is no longer visible. Keep the fluid topped off as you go.
5. Use the wrench to turn the adjuster screw counterclockwise back to the initial position, with the top O-ring visible. Keep the fluid topped off as you go.



6. Use your thumbs to compress the piston again until it bottoms out while looking for air bubbles.



**CAUTION**

***When compressing the piston, fluid can shoot out from the slave cylinder port. Be sure to wear eye protection.***

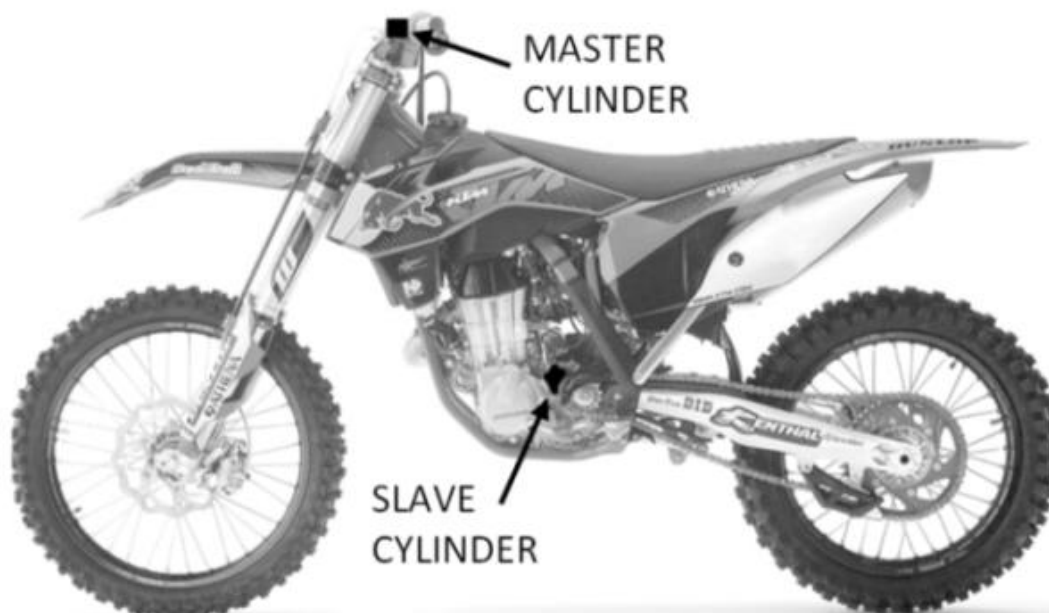
7. Repeat steps 3 - 6 until there are no air bubbles coming out in the fluid when the piston is compressed.
8. When the bleeding is complete, turn the adjuster screw counterclockwise so that the top O-ring is visible.

9. Compress the piston until it bottoms out, and top off with fluid.
10. Check that the ball bearing is still in place. Stand the Rekluse slave cylinder in an upright position (so the fluid does not spill) until it is needed in the next step.

## Step 2: Replace OE slave cylinder

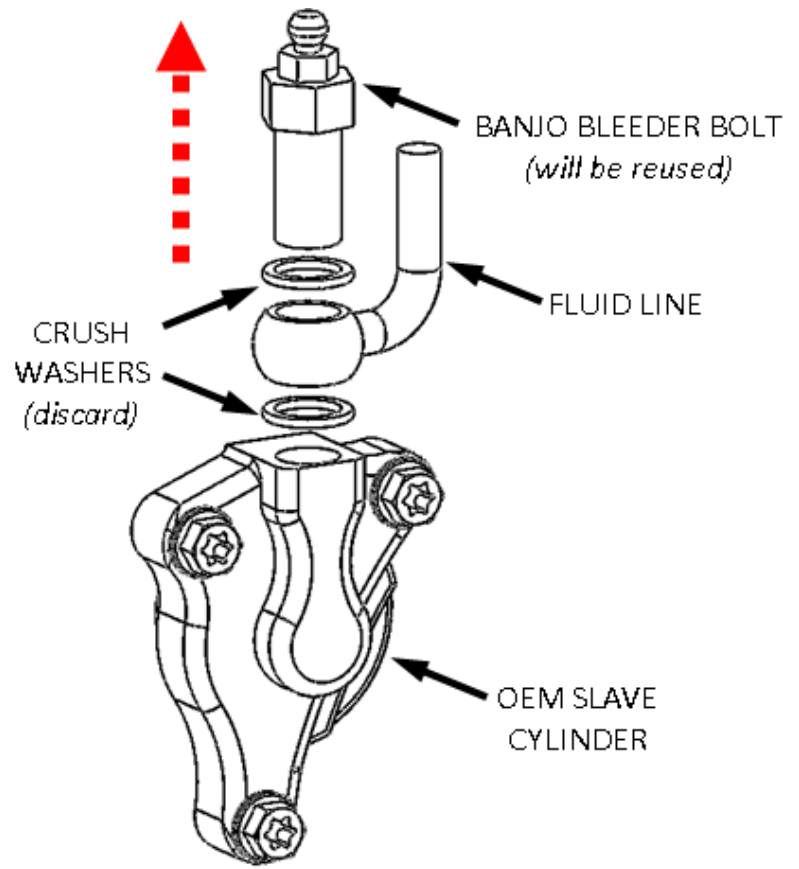
In this step, the OE slave cylinder is replaced with the Rekluse slave cylinder. Work quickly when performing the following steps. This method retains the fluid inside the line, and makes the final bleeding step easier.

1. Stand the bike up and lean it on its kickstand, or place it on a suitable bike stand.





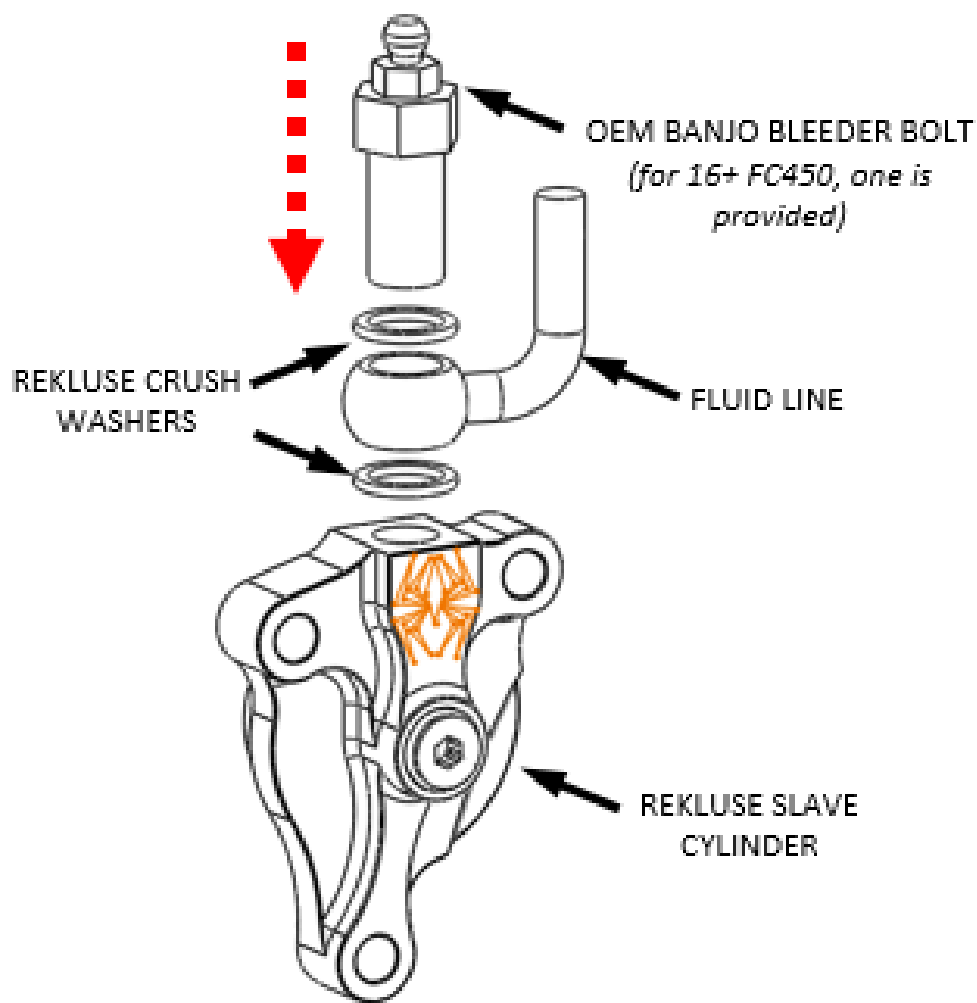
2. On the left side of the bike, while leaving the OE slave cylinder intact on the engine, use a wrench to remove the banjo bleeder bolt from the OE Slave cylinder.



3. Separate the OE slave cylinder from the clutch fluid line.

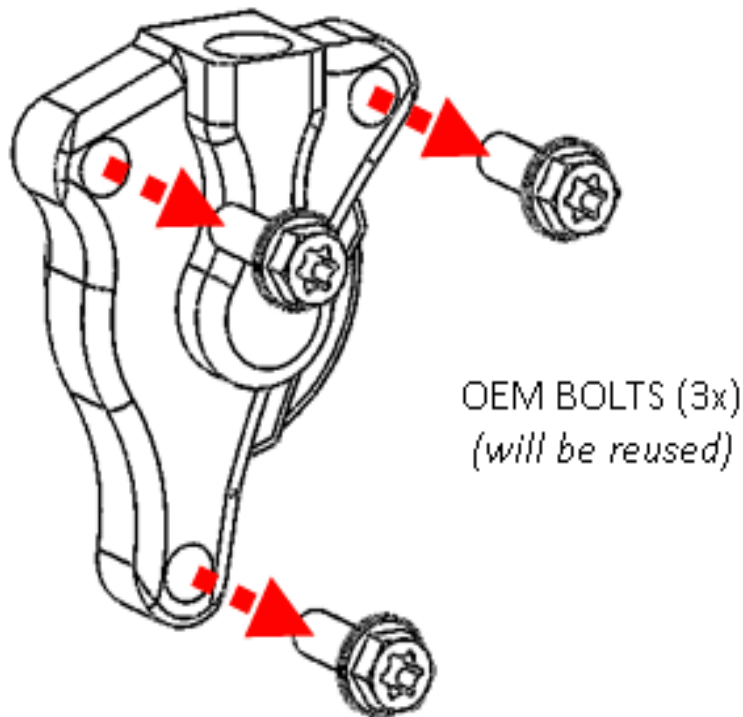
4. Remove and discard the 2 OE crush washers.

5. Attach the clutch fluid line to the Rekluse slave cylinder using the OE banjo bleeder bolt and the 2 crush washers from Rekluse. Make sure the clutch fluid line is between the 2 crush washers.



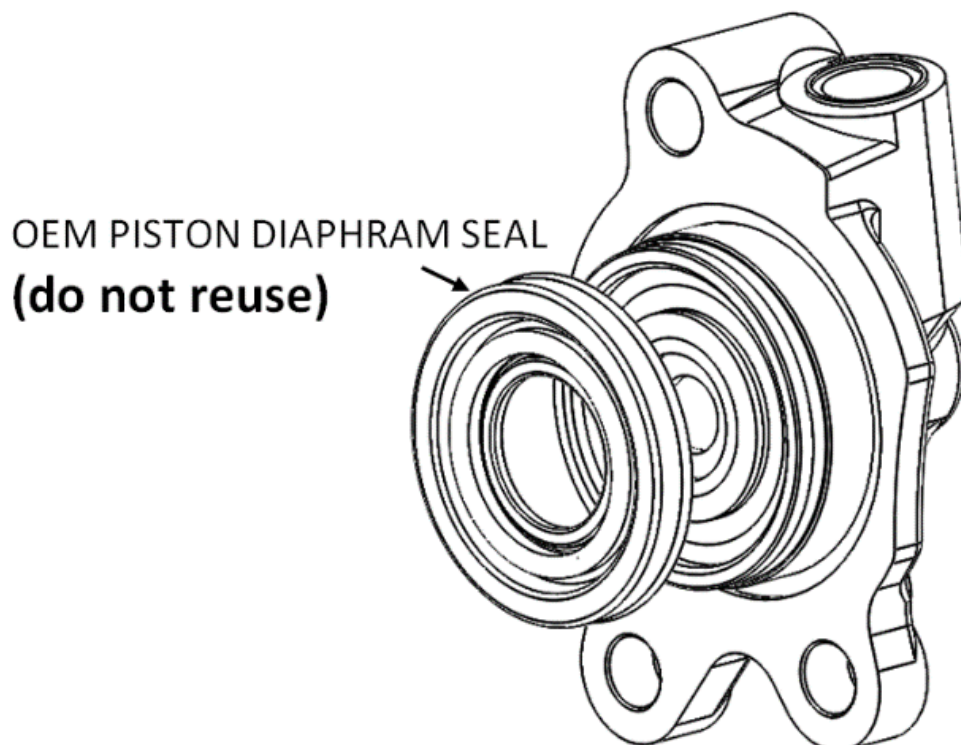
6. Tighten the banjo bolt with your hand until snug. (You will torque it to spec once installed on the bike.)

7. With the clutch fluid line attached to the Rekluse slave cylinder, remove the OE slave cylinder from the engine. Keep the OE bolts for reuse.



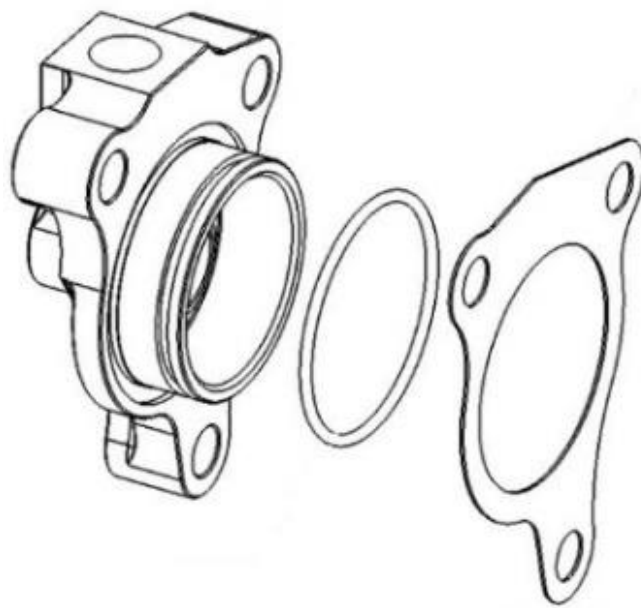
8. Mount the Rekluse slave cylinder to the engine using the OE bolts.

**NOTE:** Some models have a piston diaphragm seal. DO NOT reuse them if OE equipped. The Rekluse slave cylinder does not require a diaphragm seal.

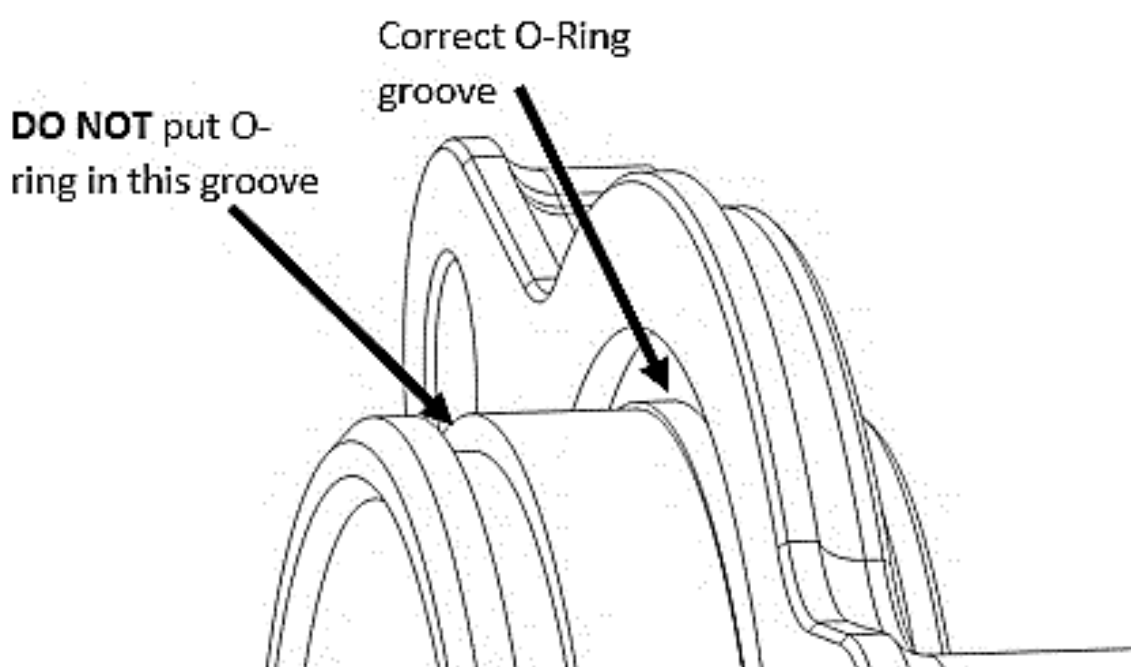


**NOTE:** The Rekluse slave cylinder comes preassembled in the kit. If the parts are separated, assemble them in the following order: Rekluse slave cylinder, O-ring (the one supplied or OE), then the supplied paper gasket. Not all slave cylinders come with a gasket. If not supplied, use the OE gasket.

**NOTE:** If you need to install the case sealing O-ring seal



(OE or Rekluse supplied), make sure it is seated against the slave cylinder flange.



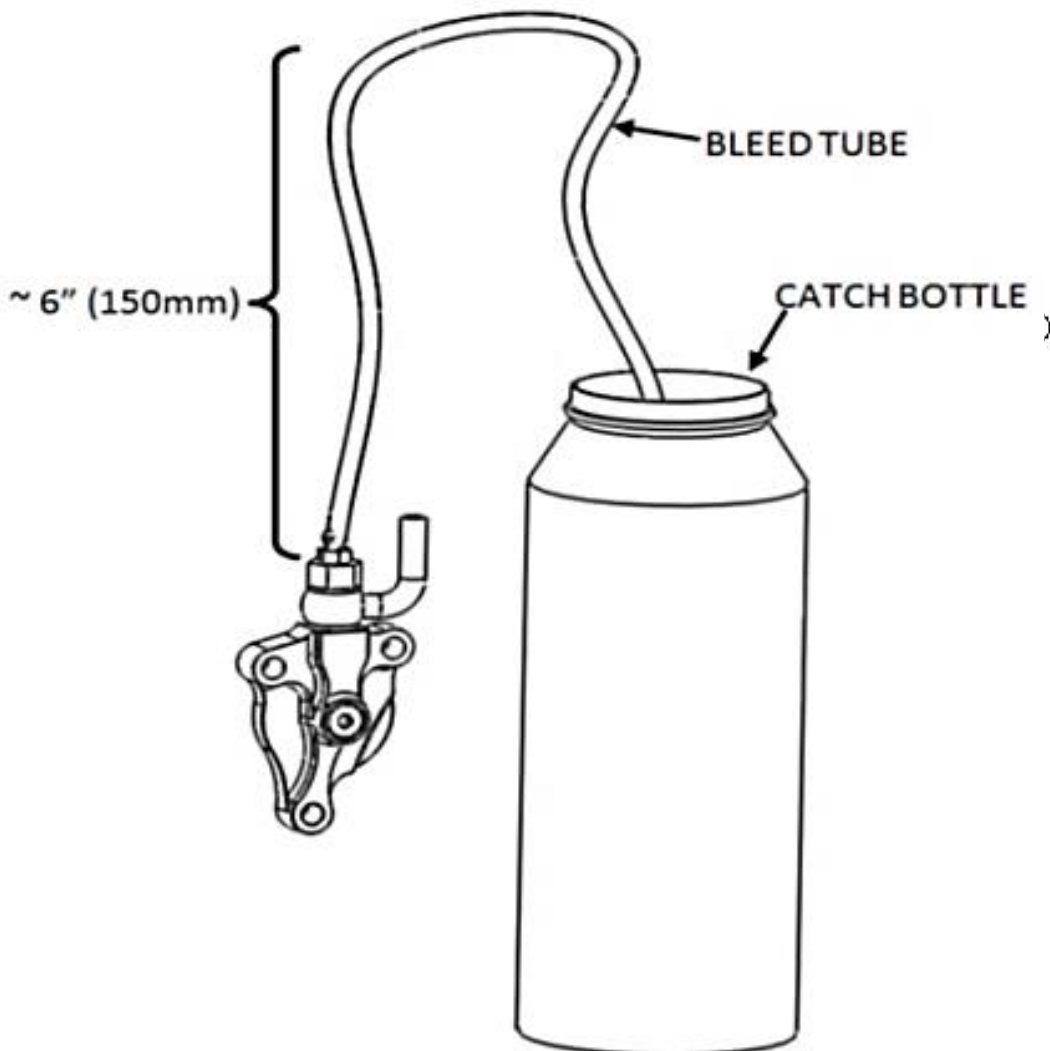
9. Torque the banjo bolt to OE specification.

**Optional:** If you purchased the Rekluse Slave Guard accessory, install it now using the specific instructions included with the slave guard kit.



# **BLEED THE CLUTCH LINE**

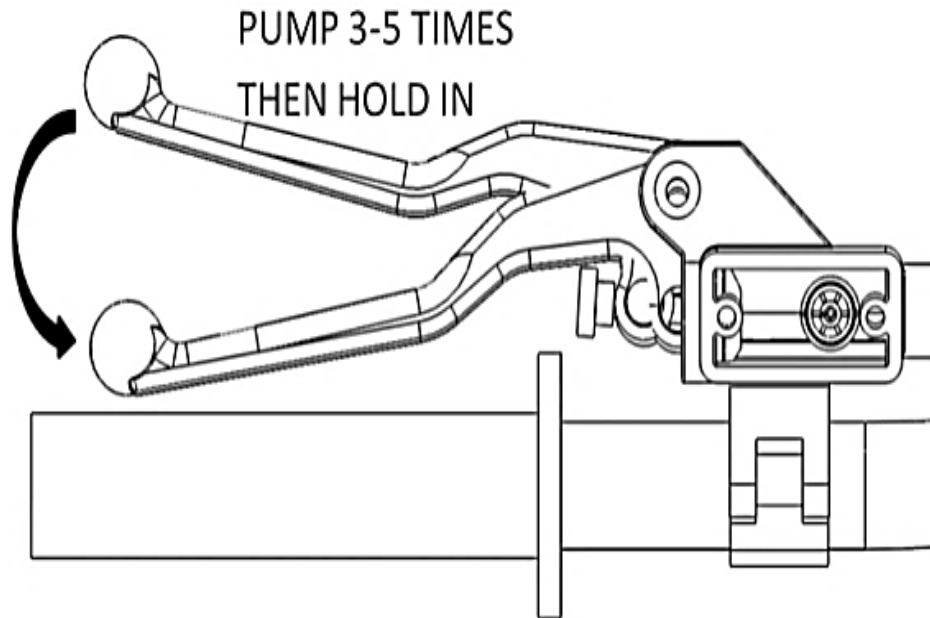
1. Attach one end of the supplied bleed tube to the banjo bolt port, then loop the opposite end into a suitable catch bottle.



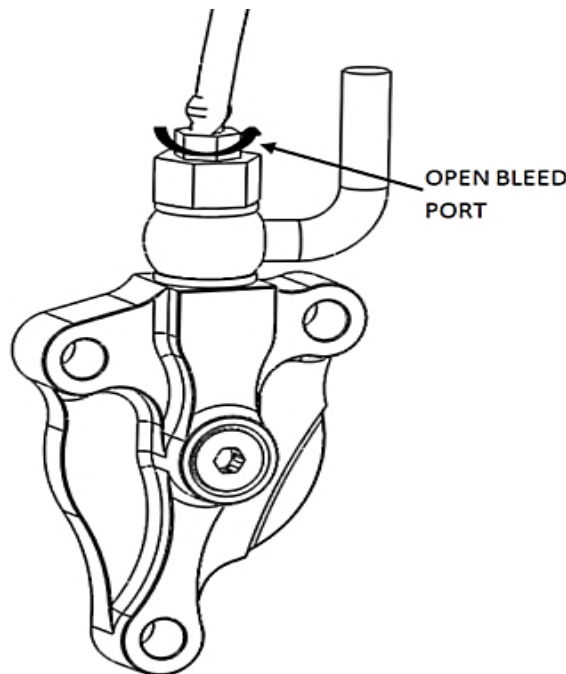
2. On the handlebar, remove the cap and bladder from the clutch master cylinder. Adjust the reservoir so it is level with the ground.
3. Top off the master cylinder with the recommended clutch fluid until it is 75% full.



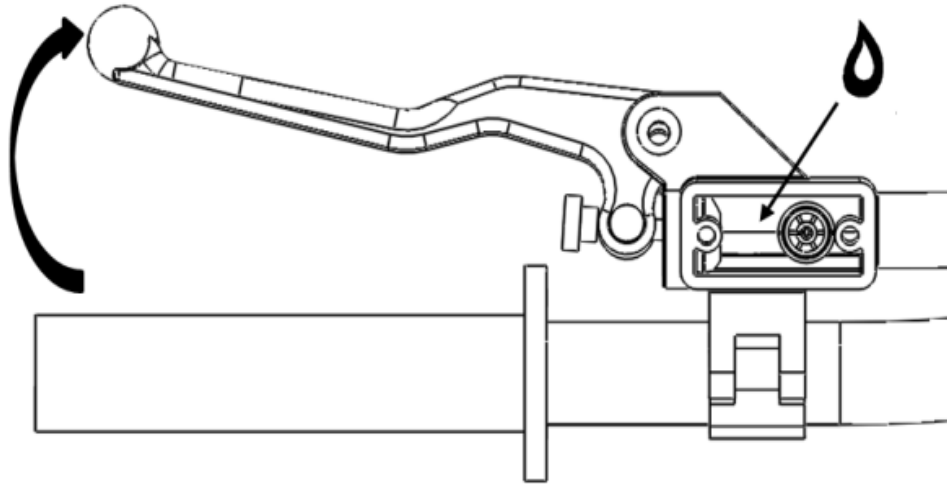
- Pump the clutch lever 3 to 5 times, then hold it against the handlebar/grip.



- While still holding the clutch lever in, use a wrench to open the bleed port. Air and fluid should flow from the bleed tube.



- Before releasing the clutch lever, tighten the bleed port when the pressure is released from the bleed tube.
- Slowly release the clutch lever and check the fluid level in the clutch master cylinder. Top off if necessary.



8. Repeat steps 4 - 7 until air no longer comes out of the bleed tube and the clutch feels normal.
9. Check that the clutch master cylinder is 75% full, then replace the cap and bladder.
10. Remove the bleed tube from the bleed bolt and remove the bottle.

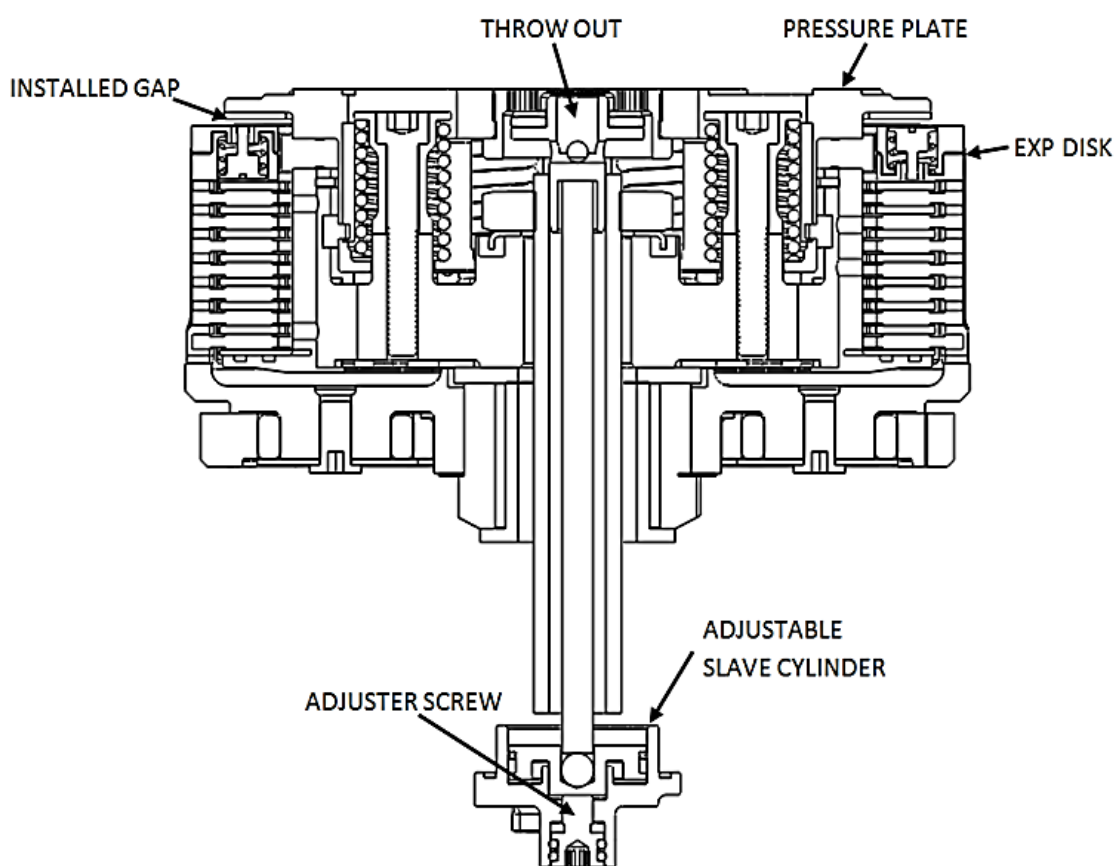
# **SET THE INSTALLED GAP**

It is very important that you understand how to set the installed gap in your new clutch, and be able to verify the installed gap by checking Free Play Gain.

Setup, break-in, and rechecking the installed gap is **CRUCIAL**. Failure to properly maintain your installed gap can result in premature wear or failure of your clutch.

The “installed gap” is the free space in the clutch pack when the EXP disk is disengaged (collapsed).

The installed gap is what allows the auto function of the product to perform properly. Use the following steps to set the installed gap and check the Free Play Gain.

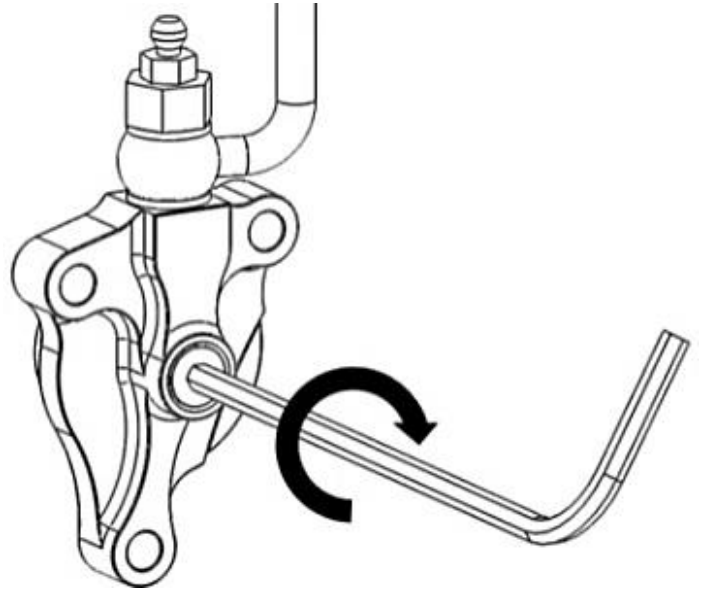
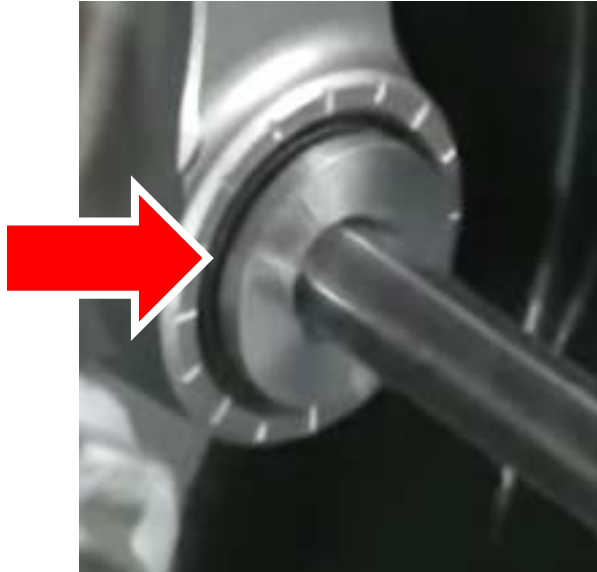


## **⚠ WARNING**

**Failure to check and verify Free Play Gain can cause failure or damage to this product. Setting the correct installed gap is critical for clutch performance.**

## Step 1: Find the starting point

- a) With the bike standing up, locate the adjuster screw in the center of the adjustable slave cylinder.
- b) With the O-ring showing, use a 4 mm hex key to turn the adjuster screw clockwise until it stops under light pressure. This is your “starting point.”



**NOTE:** *The resistance you feel is where the throw-out begins to lift the pressure plate. Finding the right starting point may take a few tries, but you will feel a noticeable change in turning effort once you reach that point. Stop when you feel the pressure increase. The “starting point” will change as the clutch pack wears over time.*

- c) Once you have found the starting point, note the position of the hex key using the tick marks on the slave cylinder housing and the small etch mark located on the screw. You will begin here to adjust the installed gap.



Use the tick marks on the cylinder and the etch mark on the screw to remember the starting point for adjusting the

- d) Use a 4 mm hex key to turn the adjuster screw clockwise 1 full turn + 2 tick marks from your starting point. **This may NOT be your final setting**, but it is a beginning adjustment for finding the correct setting.
- e) Continue with Step 2 to check for Free Play Gain.

### **⚠ CAUTION**

***Do not ride your bike without the adjusting the installed gap. You will not be able to disengage the clutch until you set the installed gap.***

## **Step 2: Learn how to check Free Play Gain**

The proper installed gap is verified by checking Free Play Gain.

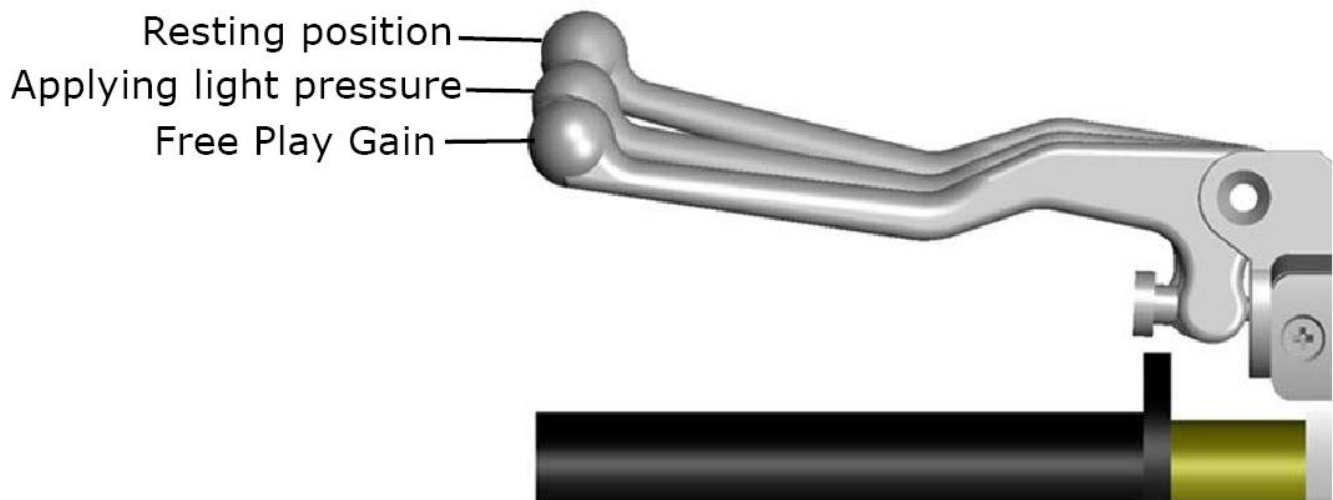
**Correct Free Play Gain = Correct installed gap**

If you are familiar with checking Free Play Gain, check for Free Play Gain then skip to the “Adjust the Installed Gap” section.

If Free Play Gain is new to you, follow the instructions below to help you learn this important step. You can also view the video entitled “How to Check Free Play Gain” on our website at [www.rekluse.com/support/videos](http://www.rekluse.com/support/videos).



**Optimal Free Play Gain yields 1/8"-1/4" (3 mm-6 mm) of clutch lever movement, measured at the ball end of the lever. This measurement at the lever correlates to achieving the ideal installed gap.**



## **Two Ways to Check for Free Play Gain**

There are two ways to check for Free Play Gain. One way uses the rubber band Rekluse includes in the clutch kit, and one uses your hand. You can use either method to check for Free Play Gain.

Rekluse recommends that you begin with the rubber band method first to check for Free Play Gain and then learn the hand method.

## The Rubber Band Method

Use the rubber band method for the initial set up. It can also be used before each ride until you feel comfortable checking the Free Play Gain using the hand method.

### **⚠ WARNING**

**BEFORE YOU BEGIN, verify that the bike is in NEUTRAL before checking Free Play Gain. Failure to do so may result in the bike lurching forward, and loss of control and/or injury may result.**

**A Rekluse auto-clutch can make your motorcycle appear to be in neutral when in gear, even when the engine is running and clutch lever released.**

**Motorcycles equipped with a Rekluse auto-clutch can move suddenly and unexpectedly and cause riders to lose control. To avoid death, serious injury, and/or property damage, always sit on the motorcycle to start it.**

- a) Before you begin, place the bike in **NEUTRAL**, start the engine and let it warm up for 2-3 minutes to idle down and warm the engine oil.
- b) Stretch the included rubber band between your thumbs, and then place the top end of the rubber band on the outer end of the left handlebar grip.



c) While holding the top end of the rubber band against the handlebar, stretch the band downward, and then loop it through itself.



d) Pull the band through the loop, and then attach it to the outside end of the clutch lever.

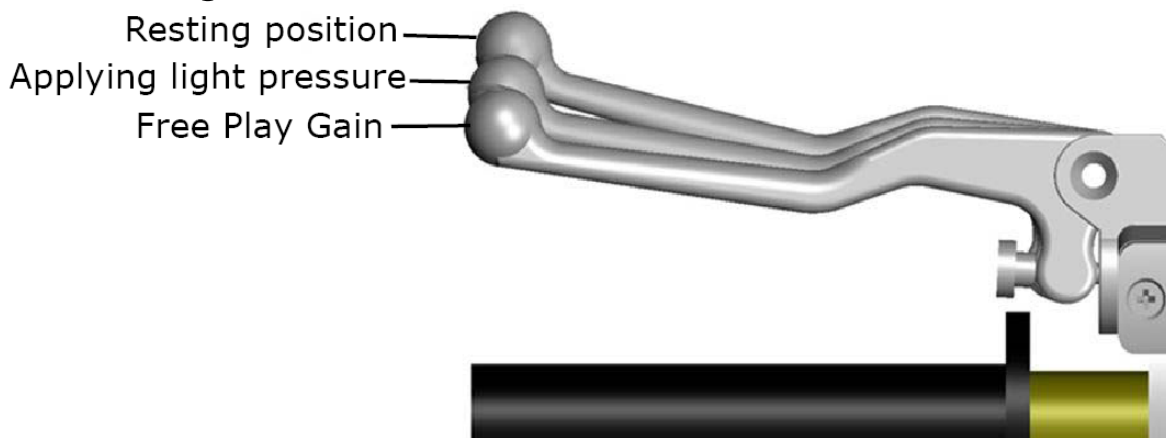
e) While still in **NEUTRAL**, quickly rev the engine between 5,000-7,000 RPM ( $1/2$  to  $3/4$  throttle), then let it return to idle. Notice the movement in the clutch lever when the engine is revved. This is your Free Play Gain.

**Note:** *It is very important the motor returns to idle before revving the engine again or Free Play Gain will not be correct.*

f) When the bike returns to idle, rest your hand across the clutch lever. Rev the engine again to 5,000-7,000 RPM so you can observe the movement while feeling for Free Play Gain with your hand.

# The Hand Method

- a) Before you begin, place the bike in **NEUTRAL**, start the engine and let it warm up for 2-3 minutes to idle down and warm up the engine oil.
- b) With the bike at idle, use one finger to apply pressure at the end of the clutch lever.
- c) While still in **NEUTRAL**, continue to apply light pressure and quickly rev the engine between 5,000-7,000 RPM (1/2 to 3/4 throttle), then let it return to idle. Notice the movement in the clutch lever when the engine is revved. This is your Free Play Gain.
- d) When the bike returns to idle, rev the engine between 5,000-7,000 RPM a second time to verify the Free Play Gain again.


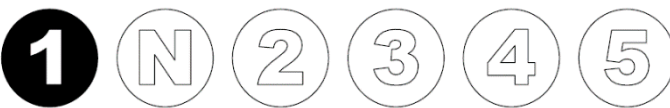


## Step 3: Break-in the new clutch



Once you install your new clutch, it is important to break it in. A series of roll-on starts are used to break in the clutch. Follow these procedures for breaking in your clutch and any time new friction disks, EXP bases, Teflon pads, or wedges are installed.

**⚠ WARNING**

**Failure to follow the break-in procedure and oil screen inspection process could cause motor oil delivery failure which can result in motor failure, serious injury, or death.**

<b>Break-in Procedure</b>	<b>Number of times</b>
<p><b>Rev Cycles:</b></p> <p>1. Place the bike in <b>NEUTRAL</b>.</p> <p>2. With your hand <b>off</b> the clutch lever, rev the engine 10 times, being sure to let it <b>return to idle</b> between each rev cycle.</p> <p></p>	<p>10 rev cycles</p>
<p>3. With the engine still running, pull in the clutch lever, then click the bike into 1<sup>st</sup> gear. Slowly release the clutch lever. The bike should stay in place or have a slight amount of forward creep.</p> <p></p> <p>4. With the bike idling in first gear, slowly apply throttle to begin moving.</p> <p>5. Without using the clutch lever, accelerate moderately to approximately 5,000 RPM to fully</p>	<p>10 roll-on starts</p>



<p>lock up the clutch and come to a complete stop. Repeat 10 times.</p> <p><b>NOTE:</b> <i>If the engine wants to stall or the creep is excessive, the idle may be too high or the installed gap may be too small. Make necessary adjustments before proceeding.</i></p>	
<p>6. Without using the clutch lever, start in 2<sup>nd</sup> gear, then accelerate moderately to approximately 5,000 RPM and come to a complete stop. Repeat 10 times.</p> <p style="text-align: center;">  </p>	<p>10 roll-on starts</p>
<p>7. Place the bike in <b>NEUTRAL</b> and recheck Free Play Gain.</p> <p>8. Continue to step 4 to adjust the installed gap until the Free Play Gain of the clutch lever is 1/8"-1/4" (3 mm-6 mm).</p> <p style="text-align: center;">  </p> <p><b>NOTE:</b> <i>Your clutch pack will expand with heat, so final adjustment to Free Play Gain should be made when the bike is warm. Remember not to ride without sufficient Free Play Gain.</i></p>	<p>Recheck Free Play Gain and adjust the installed gap</p>

## **⚠ CAUTION**

***Do not perform 3rd gear starts with this product. Starting in 3rd gear will burn up the clutch and decrease the performance of this product in a short amount of time.***

## **Step 4: Adjust the installed gap and Recheck Free Play Gain**

Once you have learned how to check Free Play Gain, you need to finish adjusting the installed gap, then recheck the Free Play Gain until the clutch lever moves only 1/8" (3 mm). The gap is adjusted by turning the slave cylinder screw.

- a) With the bike running and in **NEUTRAL**, locate the adjuster screw in the center of the adjustable slave cylinder.
- b) Use a 4 mm hex key to turn the adjuster screw clockwise 1 tick mark from the last setting, then recheck Free Play Gain.



Tick marks are located on the slave cylinder, and an etch mark is on the screw. If you need to re-position the hex key, you can use these marks for reference.

- c) Continue to adjust the slave cylinder 1 tick mark at a time until optimal Free Play Gain is achieved.
- d) Refer to the following pictures and chart in the next section for additional adjustment information.

- e) The Free Play Gain will change as the clutch pack wears over time.
- f) Checking the Free Play Gain is easy and indicates when the install gap needs adjusting.

## **FREE PLAY GAIN ADJUSTMENTS**

Make each adjustment in small increments - one tick mark at a time. After each adjustment, recheck Free Play Gain until you achieve the optimal 1/8"-1/4" (3 mm-6 mm) of clutch lever movement.



Symptom	Reason	Solution
<ul style="list-style-type: none"> <li>• Clutch lever moves in too far (too much Free Play Gain)</li> <li>• Clutch has excessive drag or stalls</li> <li>• It is difficult to fully override the clutch with the lever</li> </ul>	<p>Installed gap is too small</p>	<p>Turn the adjuster screw <b>clockwise</b> 1-2 marks to increase the installed gap and decrease Free Play Gain. Recheck Free Play Gain.</p>

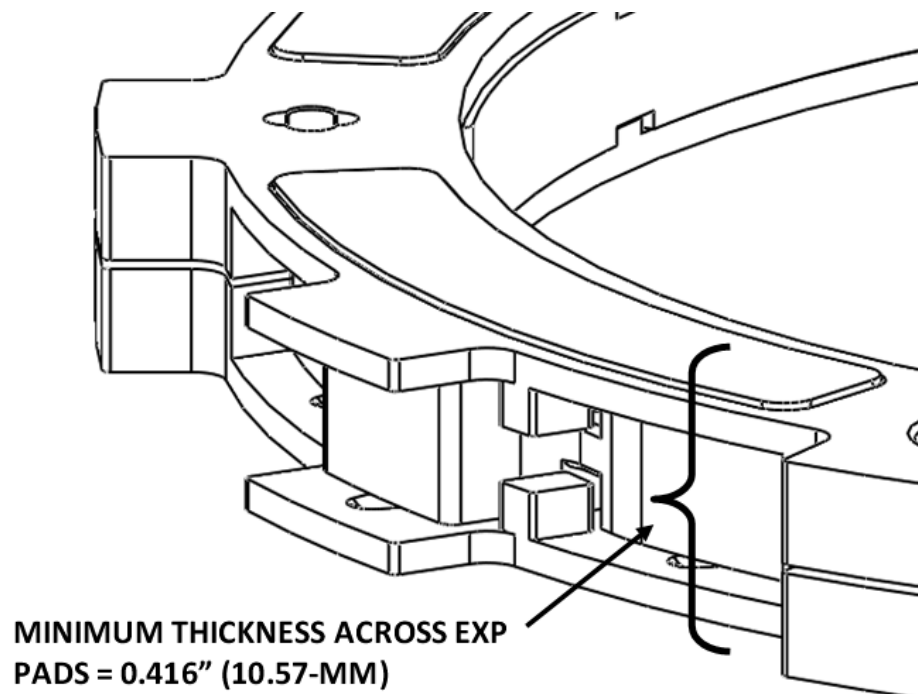
<ul style="list-style-type: none"> <li>• Clutch lever only moves slightly or does not move at all (too little Free Play Gain)</li> <li>• Clutch slips</li> <li>• Bike seems to lose power</li> </ul>	<p>Installed gap is too large</p>	<p>Turn the adjuster screw <b>counterclockwise</b> 1-2 marks to reduce the installed gap and increase Free Play Gain. Recheck Free Play Gain.</p>
--	-----------------------------------	---

## **MAINTENANCE**

To keep your clutch performing at its best, perform regular maintenance on your bike and clutch.

- Keep up with regular oil changes as per the bike manufacturer's recommendations. Clutch performance and longevity depend on oil quality.
- Inspect all of your clutch parts for signs of wear or excessive heat, and replace components as necessary. Clutch wear is dependent on the riders use.
- The OE spring ring can be optimized based on the wear and height of the clutch pack. See the attached Setup Sheet for the spring ring optimization table to adjust the spring ring.

- Measuring the clutch pack and/or the EXP disk can help determine if the components need replacing. See the **Setup Sheet at the back of the manual** for the specific clutch pack measurements.



- Inspect the dampers, and replace them if you feel any movement between the two hubs. Refer to the section on inspecting the dampers for more information.
- Maintain adequate Free Play Gain. Check before every ride and adjust if necessary.
- Repeat the break-in procedure anytime you replace the EXP bases, Teflon pads, EXP wedges, or frictions disks. Always soak friction disks or EXP bases in oil for at least 5 minutes before installing.
- Replace friction disks if they measure below specifications listed on the attached Setup Sheet or if the disks are glazed and/or burnt.
- Replace the drive plates if they show signs of excessive heat.



## Disk inspection examples

When inspecting the clutch pack, the following pictures can be used as a reference. **These are best viewed in color by viewing this install document from [www.rekluse.com/support](http://www.rekluse.com/support).**

**Drive Plates** – If the clutch pack is getting high amounts of heat, purple, blue, or black color can be seen on the drive plate teeth. See pictures below. Not all drive plates look the same and may look different than pictured.



Normal Heat

High Heat  
(Blue)

Excessive Heat  
(Black)

**Friction Disks** – Due to the dark color of the friction material, the friction disks will appear almost black as soon as they are put in oil. During inspection, look for glazing of the friction material. Glazing will appear shiny and feel like glass, even after oil is cleaned from the friction disk. Not all



Normal  
Friction



Glazed  
Friction

friction disks look the same and may look different than pictured.

## **TROUBLESHOOTING**

### **Performance issues**

If you find yourself adjusting the slave cylinder to fix Free Play Gain or drag, the clutch disks might be worn. Excessive heat or clutch slip can cause premature clutch failure as well. Once extreme temperatures are reached, irreversible damage will occur.

- Inspect all of your clutch parts for signs of wear or excessive heat, and replace components as necessary. Clutch wear is dependent on the riders use.
- Measuring the clutch pack and/or the EXP disk can help determine if the components need replacing. See the attached Setup Sheet for the specific clutch pack measurements.

### **Clutch noise**

Although it is harmless, some bike models may have “squeal” or “chatter” coming from the clutch at low RPM as it engages. Clutch squeal is caused by the clutch components vibrating as the clutch engages and can become more audible as the clutch gets hot. Adjusting the installed gap will NOT affect clutch squeal or chatter.

For bike models that have clutch squeal or chatter here are some recommendations to reduce or eliminate it:

- For optimal clutch performance Rekluse recommends using fresh, clean oil that **meets JASO-MA** oil rating

requirements. Dirty or old oil can make the clutch more likely to squeal or chatter.

# EXP TUNING OPTIONS

Adjusting the engine idle speed to match your engagement setting is important and greatly affects the overall feel of how the EXP disk engages.


To prevent freewheeling and maximize engine braking, set the idle so there is a slight amount of drag while the bike is idling in gear and warmed up. The idle should not be so high as to move the bike forward in gear with the throttle closed. However, with a small opening of the throttle the bike should move forward.

You can tune the engagement RPM of the EXP disk by changing the spring configuration. The EXP disk comes set with the recommended “**Medium**” setting from Rekluse. Use the following steps to change the springs. It is **NOT necessary** to disassemble the EXP halves to change springs!

## Configuration Chart

EXP Springs Settings	
6 Silver	
3 Silver &	3 Red
6 Red	
3 Red &	3 Blue
6 Blue	
3 Blue &	3 Gold
6 Gold	
3 Gold &	3 Green
6 Green	
3 Green &	3 White

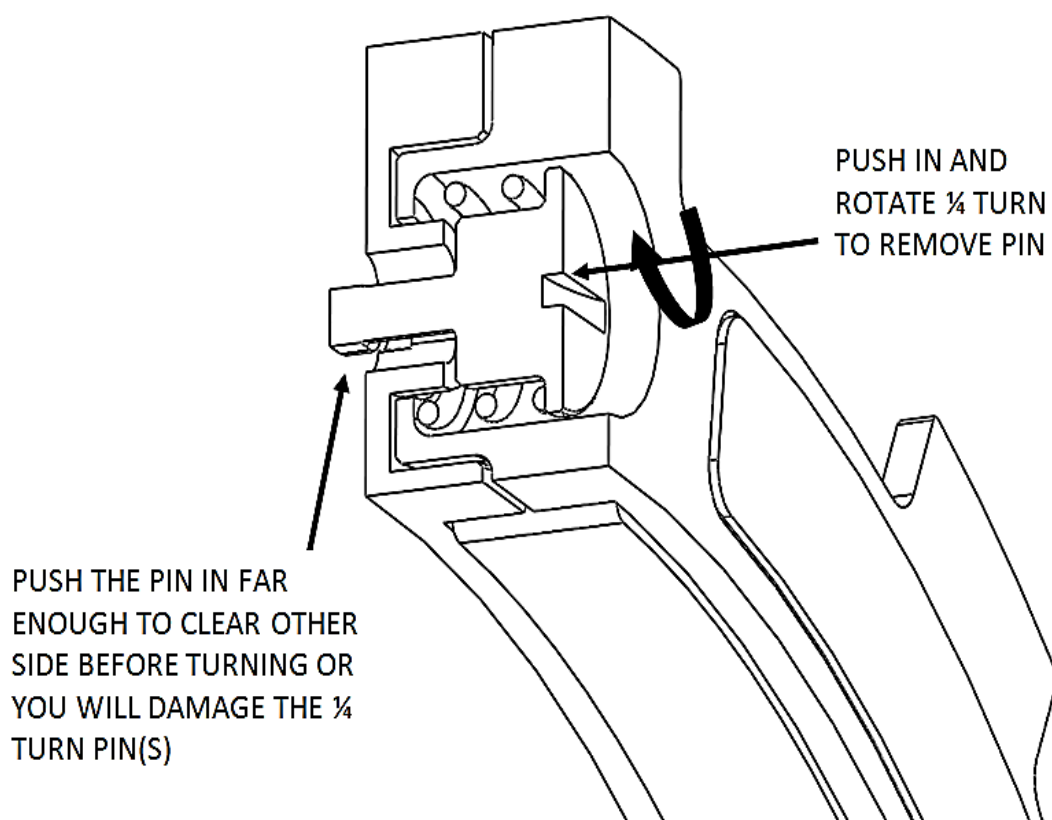
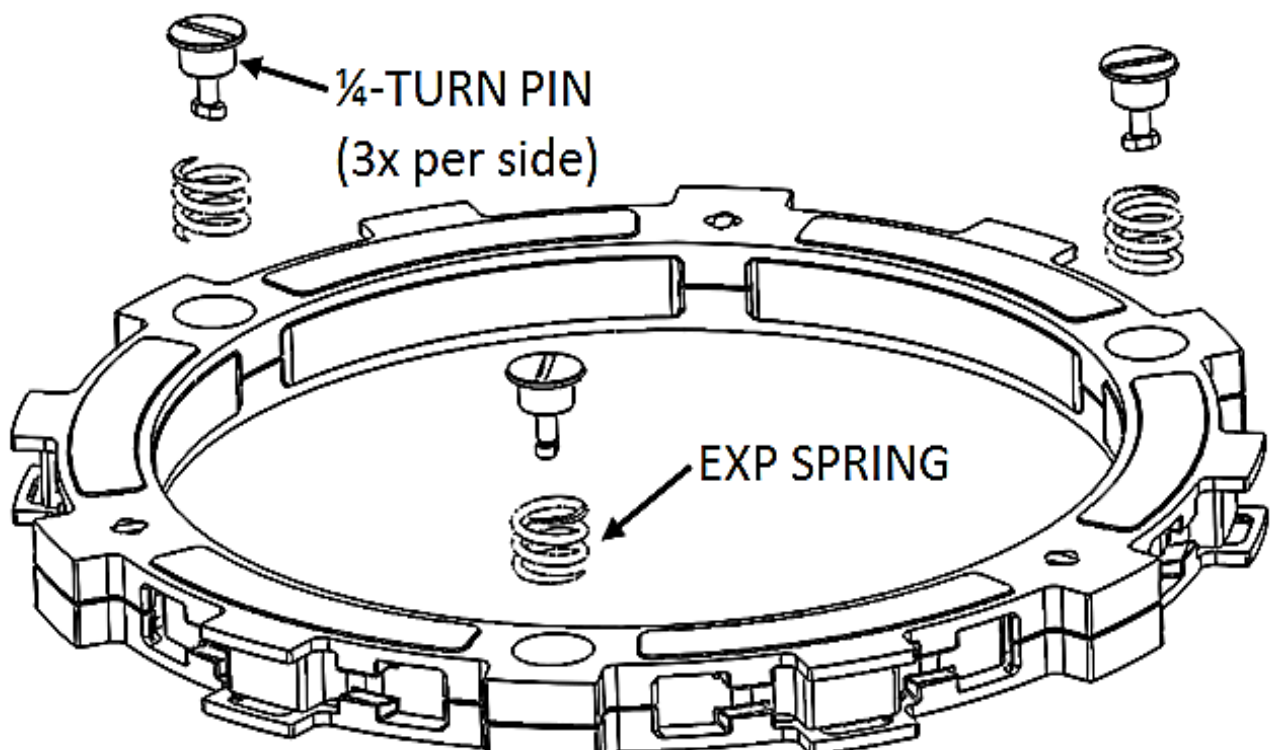
LOW SETTING



HIGH SETTING

## Changing the springs

1. Using a flat-blade screwdriver, push the  $\frac{1}{4}$  turn pin in far enough to clear the opposite side of the EXP to unlock the pin.
2. With the pin still pushed past the base, turn  $90^\circ$  to remove the pin and spring.
3. Remove the remaining 2 pins and springs from the same side of the EXP base.



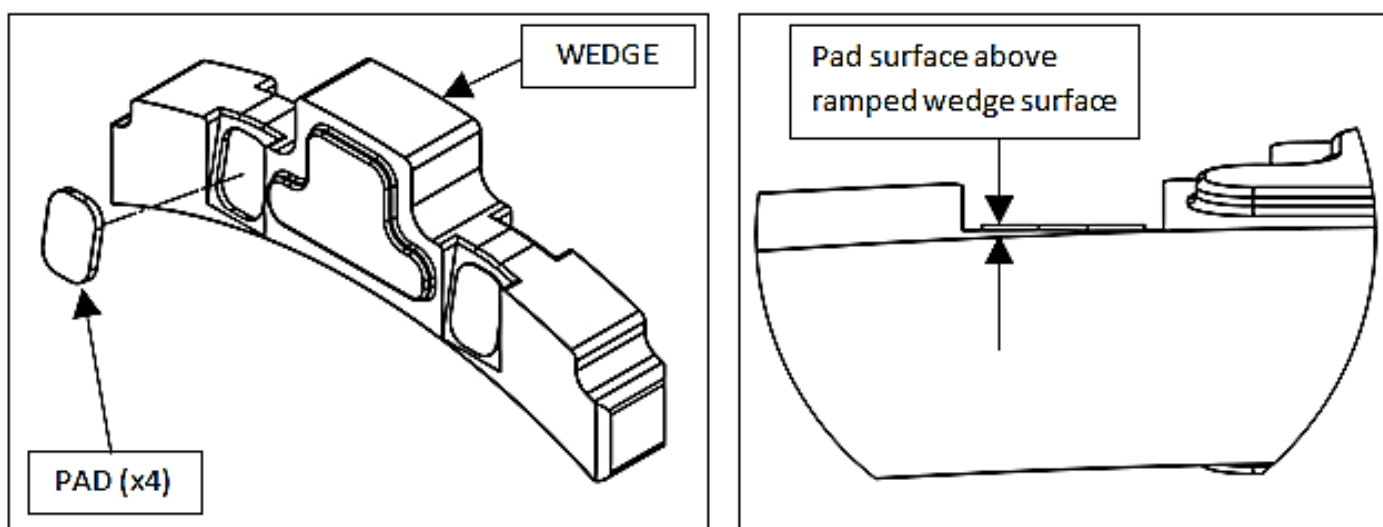


4. Drop a new spring into the spring slot on the base, then add the ¼ turn pin.
5. Push the turn pin in far enough to clear the base, then turn 90° and release the pin. The pin should sit almost flush with the EXP base.
6. Flip the EXP friction disk over, and repeat on the other side depending on engagement preference.
7. If you need to disassemble the EXP disk, you can watch the video on our website under Tech Tips at [www.rekluse.com/support/videos/atv-mc-support-videos](http://www.rekluse.com/support/videos/atv-mc-support-videos).

**NOTE:** *To maintain even pressure, when using two different color spring sets, install one set of 3 on one side of the EXP and the remaining set of 3 on the other side.*

 **CAUTION**

***If you disassemble the EXP, the Teflon pads may fall out or be stuck to the ramp surfaces of the EXP bases. Take care to ensure all pads are correctly placed into wedge pockets using gentle pressure to avoid damage to the pad surfaces before reassembling the EXP. Properly seated pads will be secured in place once the EXP is reassembled. Operating the clutch without the pads in place will cause part damage or failure.***



## **BUMP-STARTING**

If your bike needs to be bump-started due to a dead battery or any other reason, follow the steps below to quickly bump-start your bike.

1. Turn the adjustable slave cylinder counterclockwise to collapse the gap until no resistance is felt.
2. Bump start the bike. The clutch will function like a manual clutch at this point, but the clutch will not be fully over-ridable at high RPMs.
3. Once the bike is started, readjust the installed gap.

# **NEED ADDITIONAL HELP?**

## **Website**

[www.rekluse.com/support](http://www.rekluse.com/support)

## **Phone**

(208) 426-0659

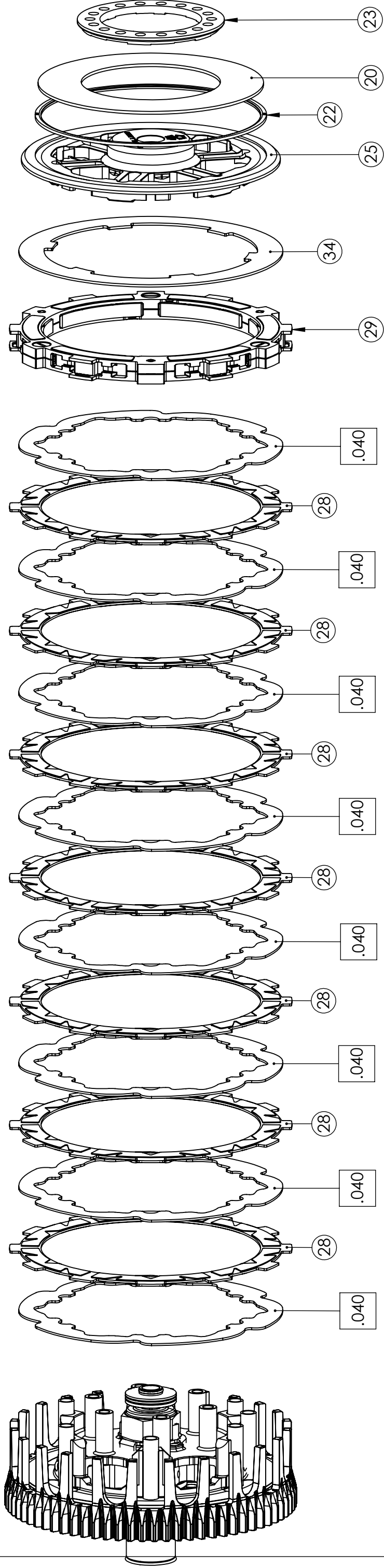
## **Technical Support**

Monday thru Friday: 8:00 a.m. - 5:00 p.m.

Mountain Time zone

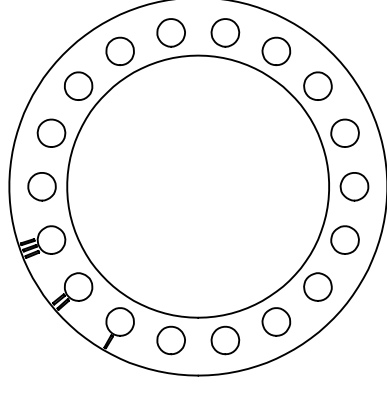
Email: [customerservice@rekluse.com](mailto:customerservice@rekluse.com)

# SETUP SHEET 198-7913181

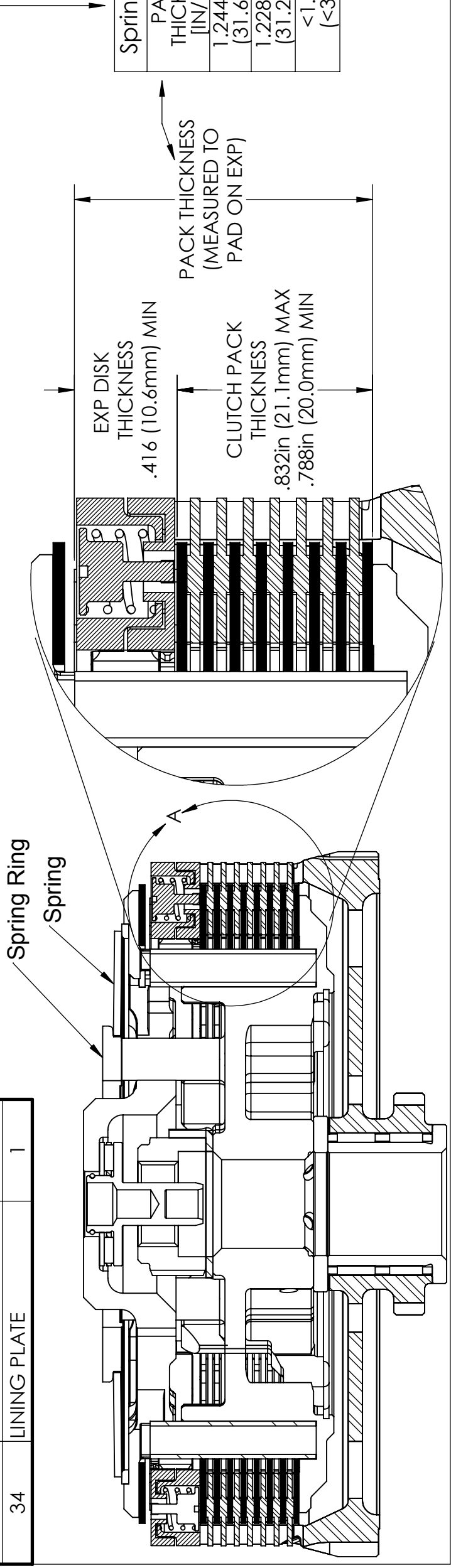


ITEM NO.	PART DESCRIPTION	QTY.
20	OEM SPRING	1
22	OEM SLIDER RING	1
23	OEM SPRING RING	1
25	REKLUSE PRESSURE PLATE	1
.040	.040" TEC-DRIVE PLATE	8
28	TORQDRIVE FRICTION	7
29	EXP DISK	1
34	LINING PLATE	1

The OEM spring ring has different settings to account for variances in the clutch pack and wear. The optimal setting depends on the thickness of the clutch pack. In general, MORE preload on the spring results in LESS clamping force, which in turn provides a lighter lever pull and less aggressive clutch performance. LESS preload on the other hand provides MORE clamping force, a heavier clutch pull, and more aggressive clutch performance. See the "Spring Ring Optimization Table" for recommended optimized setting based on clutch pack thickness.



Spring Ring



PACK THICKNESS [IN/mm]	SPRING RING SETTING
1.244-1.260 (31.6-31.8)	III OR Z
1.228-1.244 (31.2-31.6)	II OR Y
<1.228 (<31.2)	I OR X

# CLUTCH PACK REPLACEMENT NOTES

RadiusCX Clutch Product – Hydraulic, with Steel Basket

## INSTALLATION GUIDE

The installation guide for the full RadiusCX clutch product has been provided with this clutch pack replacement kit. You will use it to install, tune, and maintain your RadiusCX clutch product.

## RESETTING THE INSTALLED GAP

Because your new clutch pack will be slightly different in thickness than the used clutch pack, perform the “SETTING THE INSTALLED GAP” and “CHECKING FREE PLAY GAIN” sections of the RadiusCX installation guide after installing the new clutch plates.

## BREAK-IN

Follow the break-in procedure after the new clutch plates are installed in your bike. Do this anytime the clutch plates, EXP disk, or wedge pads are replaced.

## INCLUDED PARTS

Item #	Item Type	Qty
67	Steel Drive Plate	9
69	TorqDrive <sup>®</sup> Friction Disk	8

