



# **INSTALLATION & USER'S GUIDE**

Core EXP 3.0 TorqDrive Clutch  
Upgrade Kit for Cable-Actuated Motorcycles

Doc ID: 191-7800A  
Revision: 041019

---

©2017 Rekluse Motor Sports  
Rekluse Motor Sports, Inc.  
support@rekluse.com

# TABLE OF CONTENTS

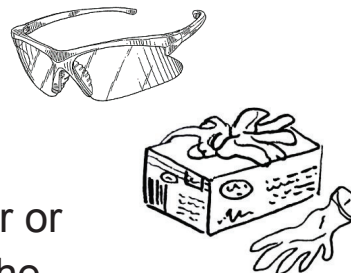
OVERVIEW .....	3
INSTALLATION TIPS .....	3
TOOLS.....	4
INCLUDED PARTS .....	4
DISASSEMBLE THE CLUTCH .....	5
CLUTCH PACK INSTALLATION.....	6
Notes for Clutch Pack Installation: .....	8
PRESSURE PLATE INSTALLATION.....	10
Pressure Plate Spring Information.....	11
SET THE INSTALLED GAP AND CHECK FREE PLAY GAIN .....	13
Step 1: Set the installed gap .....	14
Step 2: Learn how to check Free Play Gain .....	18
Two Ways to Check for Free Play Gain .....	19
The Rubber Band Method.....	20
The Hand Method .....	22
Step 3: Break-in the new clutch.....	24
FREE PLAY GAIN ADJUSTMENTS .....	27
MAINTENANCE.....	28
Disk inspection examples .....	29
TROUBLESHOOTING.....	31
Performance issues .....	31
Clutch noise .....	31
EXP TUNING OPTIONS.....	32
Changing the EXP springs.....	33
NEED ADDITIONAL HELP?.....	35

# OVERVIEW

This guide shows you how to upgrade your OE (Original Equipment) core clutch parts with your new Rekluse upgraded clutch parts. The following parts are replaced:


- Steel drive plates
- Lining plate
- EXP disk
- OE Friction Disks

## INSTALLATION TIPS



- Read the safety information sheet included with your kit.
- If you install this product for a customer or another person, instruct them to read the **Safety Information** document and the **Installation and User Guide** before operating the bike with the product.
- Protect eyes and skin – wear safety glasses and thin disposable work gloves.
- Read this entire document before performing any steps.
- Lay the bike on its left side when replacing the clutch. This makes the clutch work easier and eliminates the need to drain the oil.
- For optimal clutch performance Rekluse recommends using fresh, clean oil that **meets JASO-MA** oil rating requirements. Rekluse offers Factory Formulated Oil™ developed specifically for Rekluse products. Rekluse Factory Formulated Oil is a perfect complement to any OEM or aftermarket wet clutch. Visit [www.rekluse.com](http://www.rekluse.com) to learn more.
- Bikes with taller gearing or modified engines with increased horsepower may require heavier wedges. These can be purchased separately from Rekluse.

# TOOLS

			
4 mm Hex Key	5 mm Hex Key	Torque Wrench	8 mm Socket
			
Hydraulic clutch fluid	Flat blade Screwdriver	Fluid Catch Container	Open-ended Wrenches

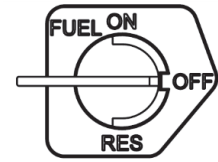
# INCLUDED PARTS

Each upgrade kit includes a set of TorqDrive friction disks, steel drive plates, basket sleeves, an EXP disk, and pressure plate springs. Please refer to the Setup Sheet for a listing of included parts for your model of bike.

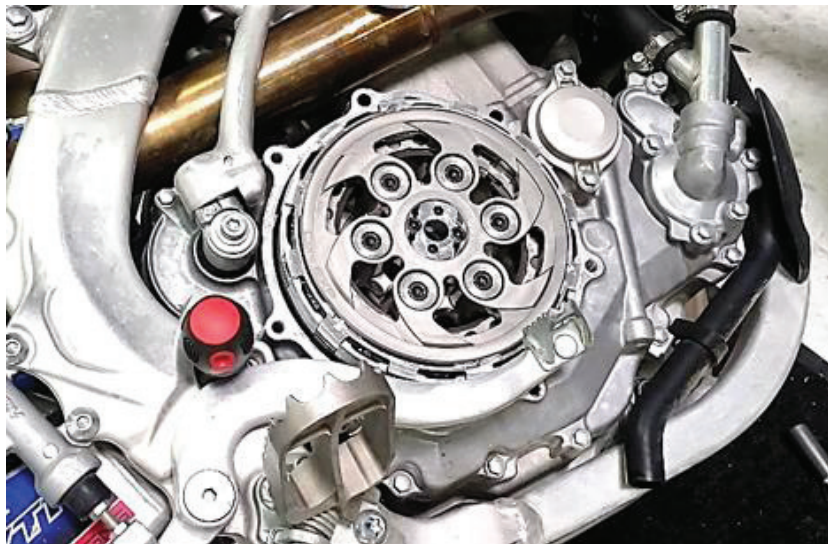
Or visit us at [www.rekluse.com/support](http://www.rekluse.com/support) for a full parts fiche illustration and part numbers.

# DISASSEMBLE THE CLUTCH

1. Turn the fuel petcock to “OFF” if applicable.
2. Lay the bike on its left side. Catch any fuel that might drain in a suitable container.

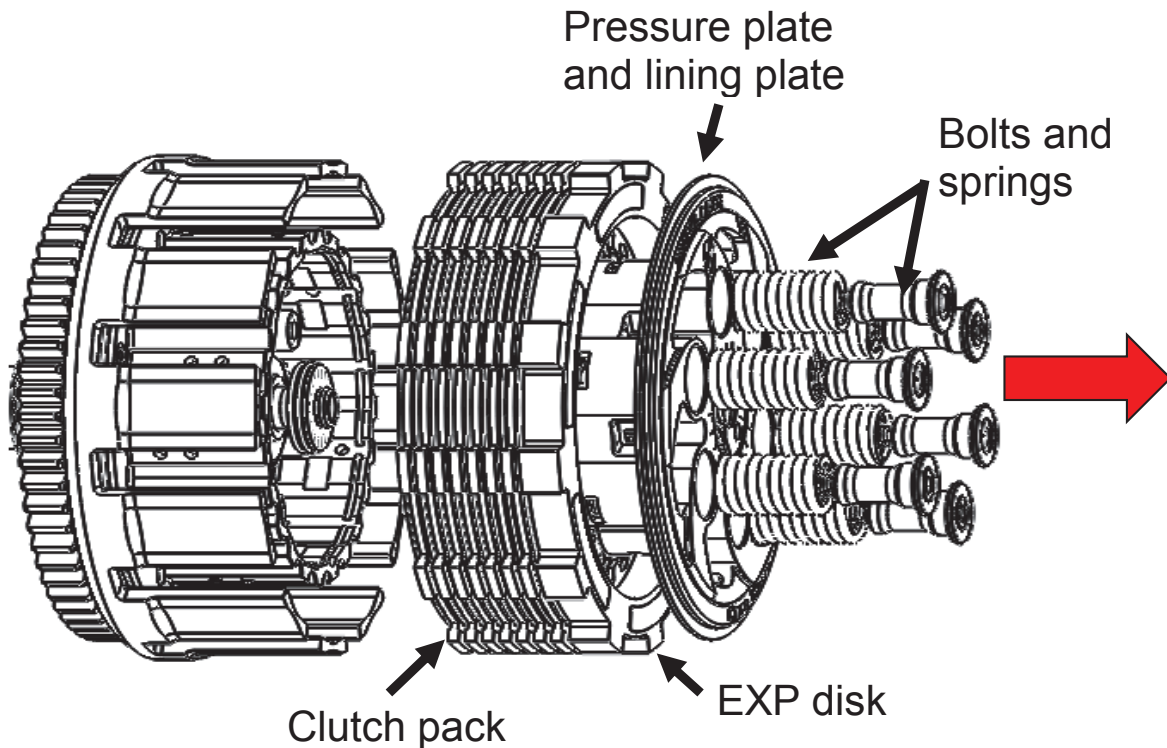


3. Use an 8 mm socket to remove the clutch cover.



4. Remove the following parts from the clutch:

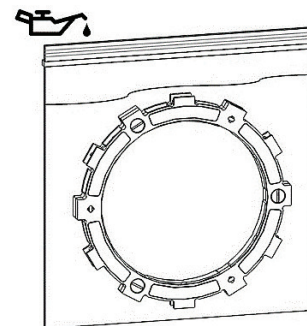
- Pressure plate bolts
- Pressure plate springs
- Pressure plate
- Lining plate
- EXP disk
- Clutch pack



## CLUTCH PACK INSTALLATION

Each clutch pack comes with a set of steel plates, a set of friction disks, basket sleeves, and an EXP disk. The specifics of the clutch pack depends on the bike. The height of the assembled clutch pack and specific information for each bike can be found on the Setup Sheet.

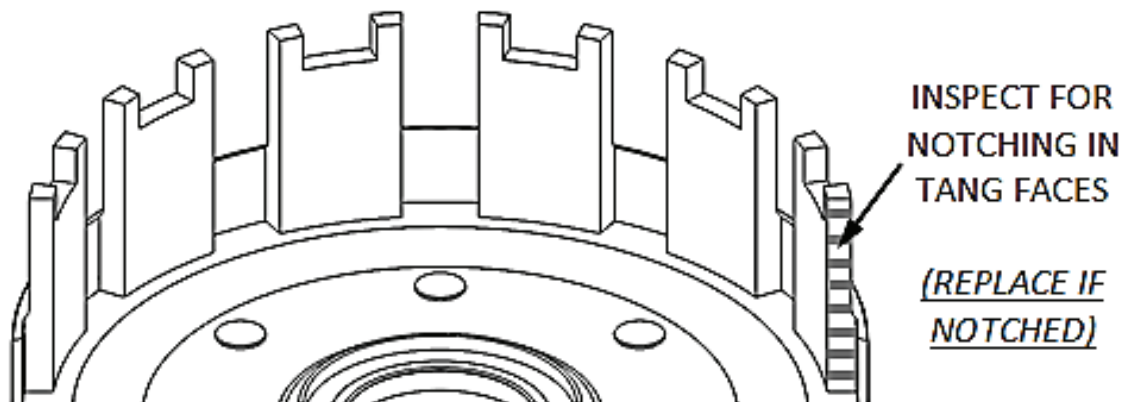
1. Soak the friction disks and EXP disk in new oil for at least 5 minutes. Make sure the EXP and friction disks are coated on both sides.



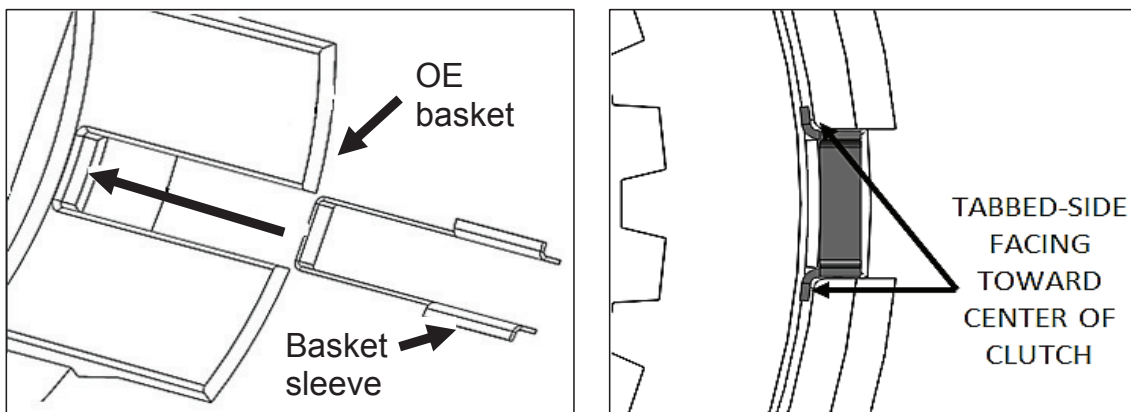
2. Inspect the clutch basket for notching. Do not install sleeves or use product with a notched basket. Notched basket tang faces can cause the sleeves to break. Do not use baskets that have been filed, machined, or modified on the tangs. Replace basket if necessary.

**⚠ WARNING**

**Failure to inspect the basket and replace if necessary could result in death, serious injury, and/or property damage.**

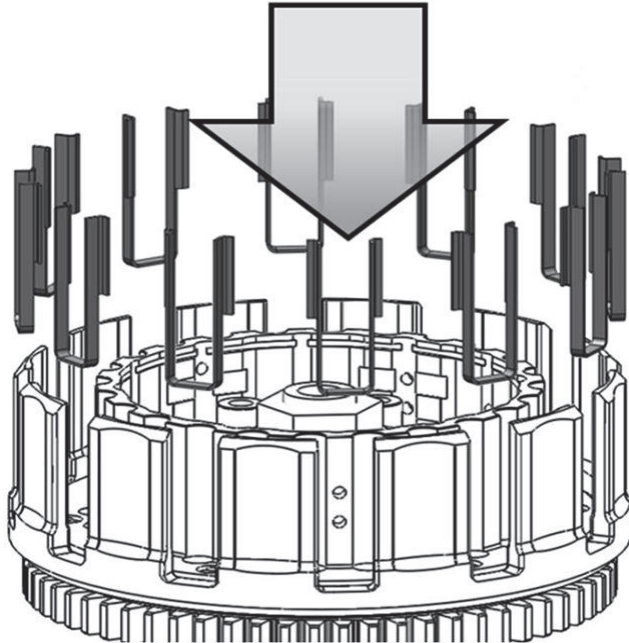


3. Install **ALL** the Rekluse basket sleeves into the basket slots. Make sure the sleeve tabs sit against the inside of the basket, then push the sleeves down until they contact the bottom of the tang slot. See pictures for reference.



**Note:** When seated in the basket, the sleeves may stick slightly above or below flush with the top of the basket. This is normal.

Install all the basket sleeves



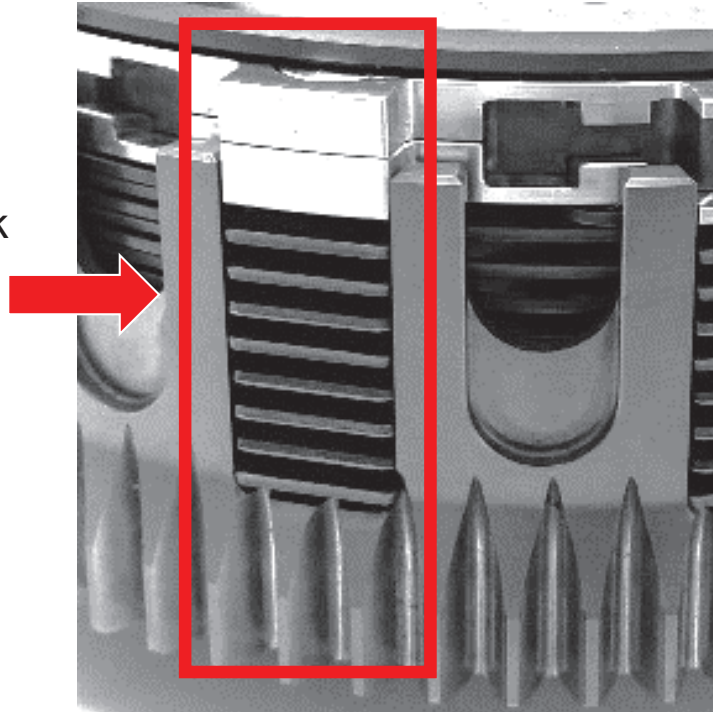
## Notes for Clutch Pack Installation:

- The clutch pack will be replaced with all new frictions and steel drive plates. Do not reuse the old clutch pack.
- Some friction disks are marked with a small colored dot. This mark is used for processing and can be ignored.
- The orientation of the clutch pack is different for each bike. The number and thickness of drive plates included in the kit also varies by bike. Please refer to the **Setup Sheet** for specific information for your bike before installing the clutch pack.



- Some OE basket have “half slots” at the top of the basket tangs. Rekluse products require the entire clutch pack be installed into the MAIN (deeper) basket slots. Installing the clutch pack and EXP disk in the “half slots” will cause performance issues. See the following picture for reference.

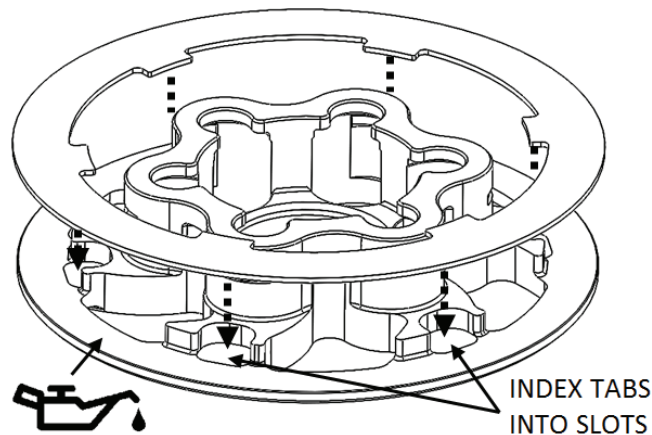
Install clutch pack  
and EXP disk in  
the main basket  
slots



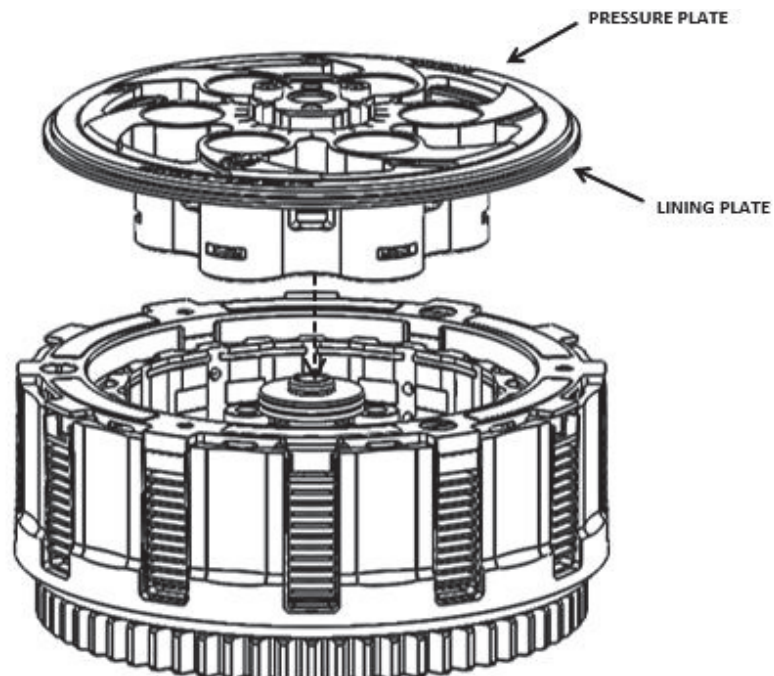
4. Begin installing the Rekluse clutch pack starting with a steel drive plate.
5. **Continue installing the clutch pack according to installation order listed on the Setup Sheet.**

# PRESSURE PLATE INSTALLATION

1. Add a light film of oil between the lining plate and pressure plate (this will help the plates stick together for ease of installation).
2. Place the new steel lining plate onto the Rekluse pressure plate by lining up the index tabs and slots. Do not reuse the old lining plate.



3. Install the pressure plate subassembly.



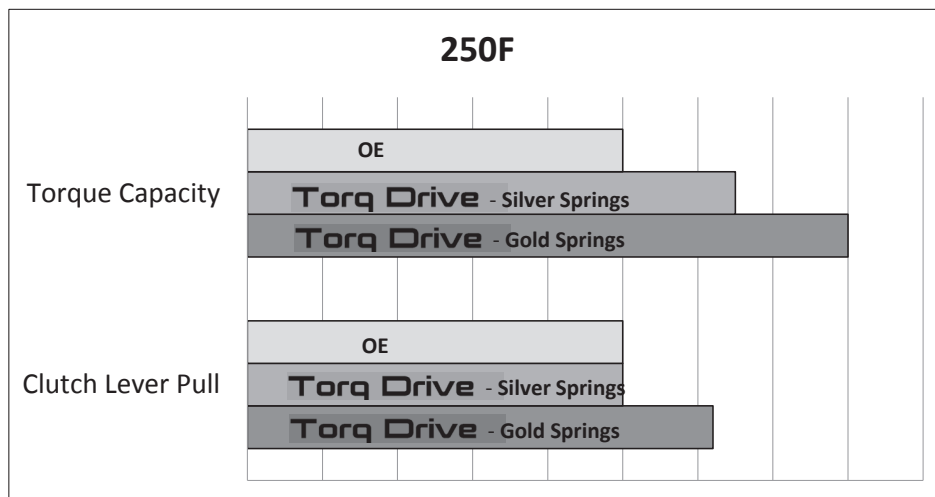
4. Place the pressure plate springs into the assembled clutch, then insert the screw sleeves into the springs. See the following chart for spring information.

## Pressure Plate Spring Information

The upgrade kit includes lighter pressure plate springs. You have the option of reusing your current pressure plate springs or using the new springs depending on torque capacity and clutch lever pull preference. Differences in clamping force and torque capacity will vary by model.

**250F:** There are two spring options.

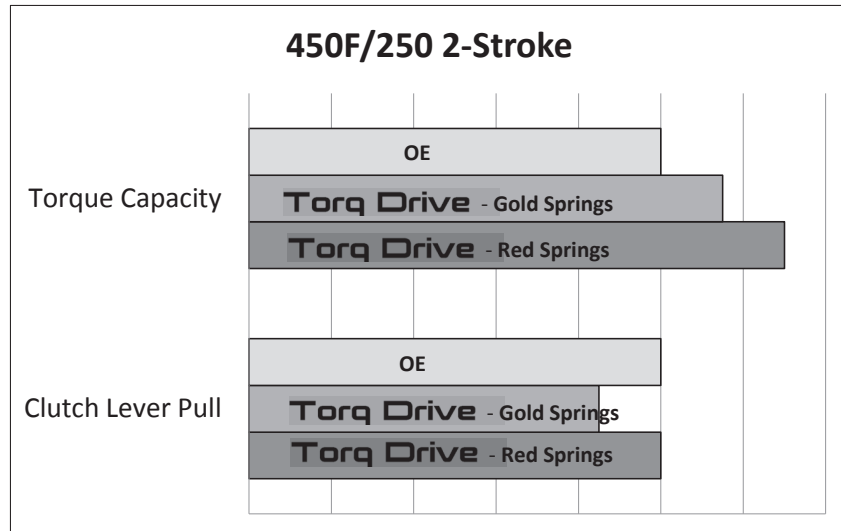
- a. Silver springs will give the feel of a smoother clutch with a clutch lever pull about equal to OE.
- b. Gold springs will yield a more aggressive clutch with clutch pull slightly higher than OE. Rekluse recommends installing silver springs for a more superior lever feel and better matched torque capacity to motor output.



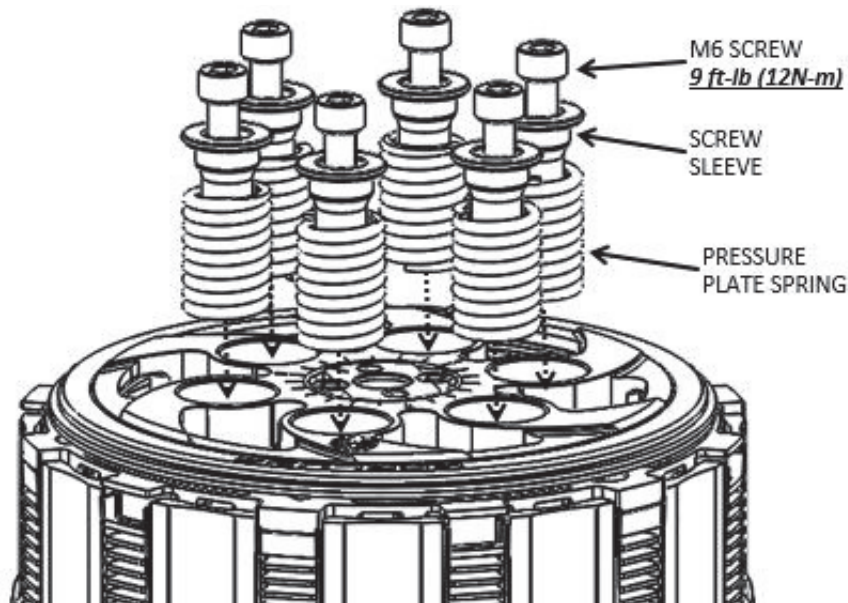
**450F/250 2-Stroke:** There are three spring options.

- a. Gold springs will give the feel of a smoother clutch with a clutch lever pull lighter than OE.
- b. Red springs will yield a more aggressive clutch with clutch pull similar to OE.

c. Using three of each spring (3 red and 3 gold) will result in an in-between setup. Be sure to alternate springs when using 3 red and 3 gold to keep even pressure on the clutch. Rekluse recommends installing gold springs for a more superior lever feel and better matched torque capacity to motor output.



5. Insert the pressure plate bolts into the screw sleeves.



**⚠ CAUTION**

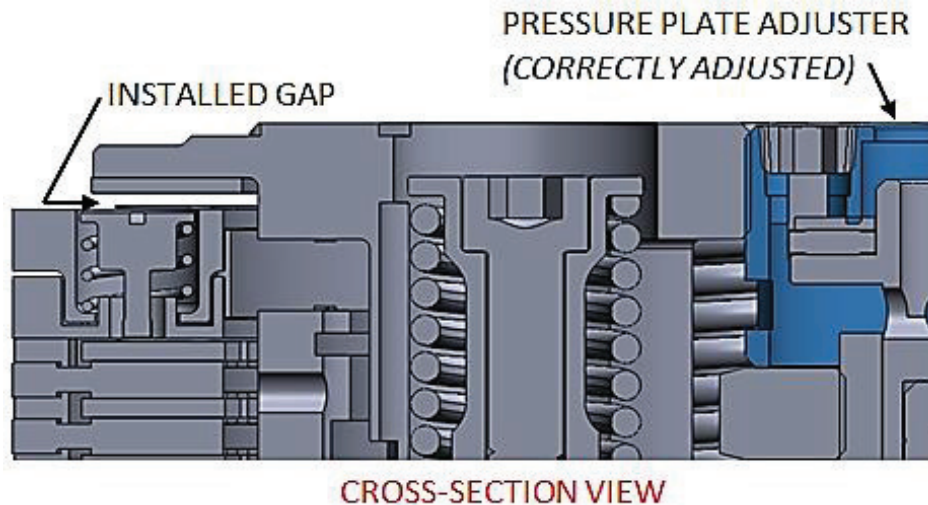
***Do not reuse the OE springs, or clutch cover interference will occur!***

6. Using a torque wrench, tighten the pressure plate bolts to 9 ft-lb (12-N-m).

## SET THE INSTALLED GAP AND CHECK FREE PLAY GAIN

It is very important that you understand how to set the installed gap in your new clutch, and be able to verify the installed gap by checking Free Play Gain.

The “installed gap” is the free space in the clutch pack when the EXP disk is disengaged (collapsed). This gap allows the clutch to spin freely until the engagement RPM is reached and the EXP disk expands to close the gap and apply pressure to the pressure plate, which in turn drives the motorcycle forward.



The installed gap is what allows the auto function of the product to perform properly. Setup, break-in, and rechecking the installed gap is **CRUCIAL**. Failure to properly maintain your installed gap can result in premature wear or failure of your clutch.

## ⚠ WARNING

Failure to check and verify Free Play Gain can cause failure or damage to this product. Setting the correct installed gap is critical for clutch performance.

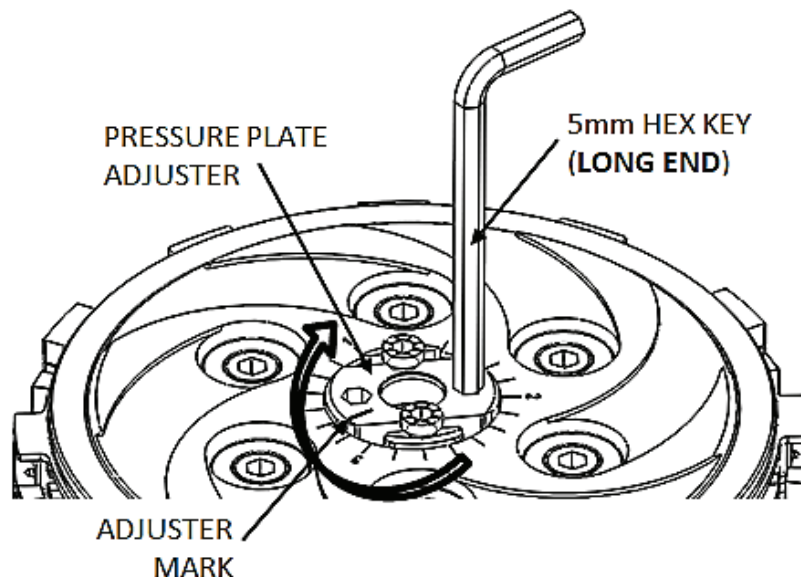
Setting the installed gap and checking Free Play Gain is a 4-step process. It is important to follow each step to ensure that your new clutch functions as designed.

## Step 1: Set the installed gap

### ⚠ CAUTION

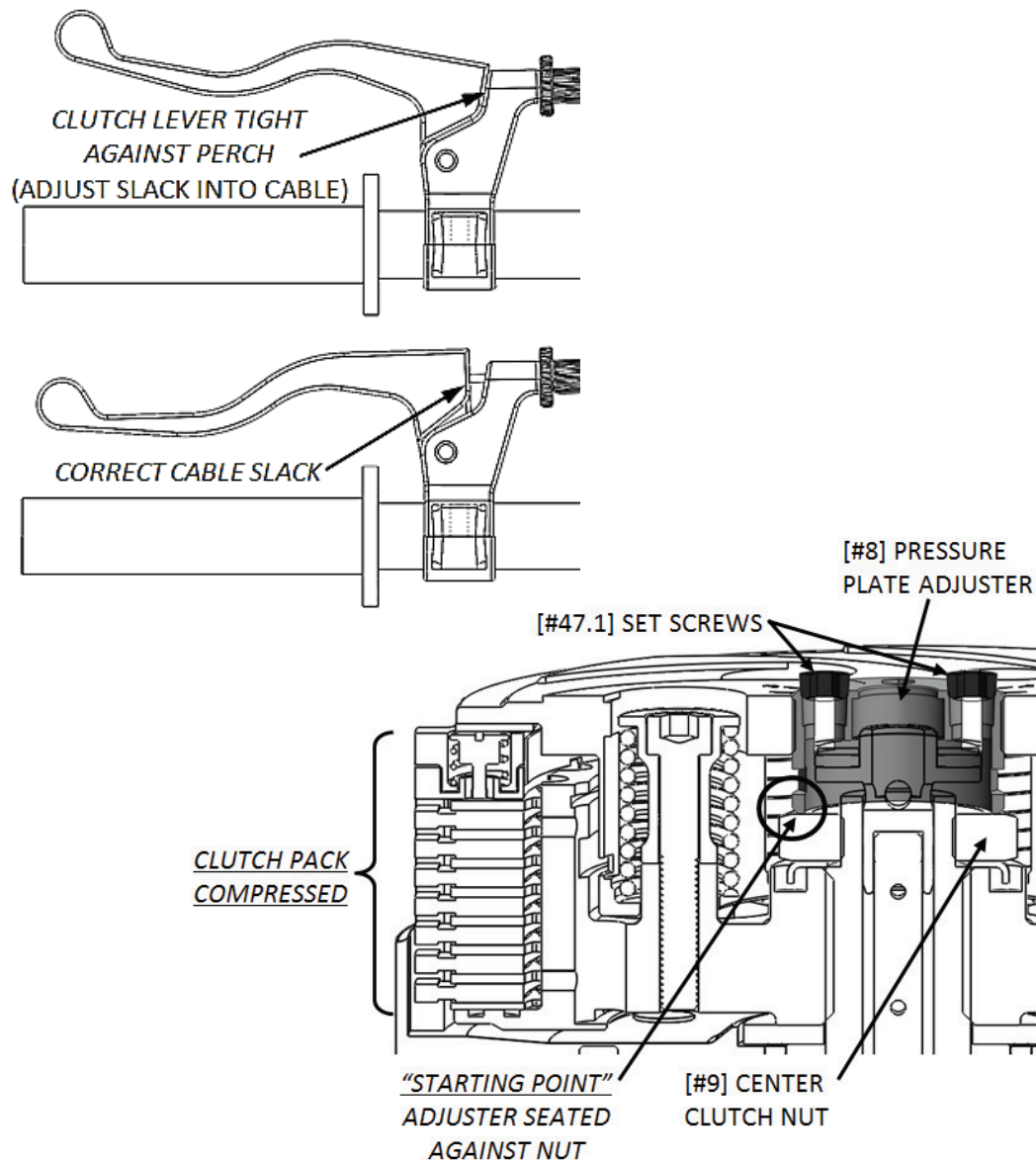
*Do not ride your bike without adjusting the installed gap. You will not be able to disengage the clutch until you set the installed gap.*

1. Using a 5 mm hex key, insert the **long end** of the key into one of the two hex holes in the pressure plate adjuster.
2. By hand, **gently** thread the pressure plate adjuster clockwise until there is a noticeable change in turning effort.
3. Find the adjuster mark on the pressure plate adjuster, then find where it aligns with the closest tick mark on the pressure plate. **This is your starting point.**

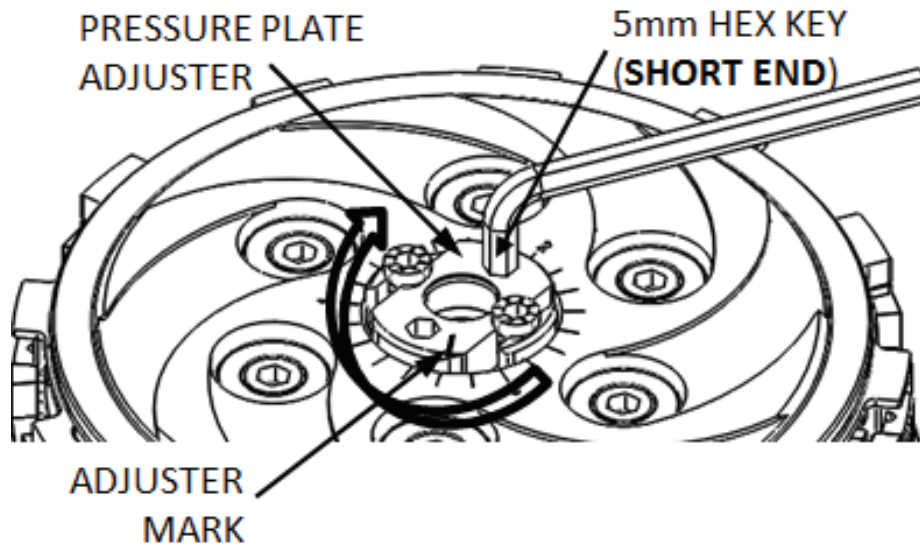


4. Check for clutch lever free play. If the lever is tight against the perch, then adjust a few turns of slack into the cable and re-check your starting point. *(If there is not enough adjustment at the perch, you may need to adjust using the in-line cable adjuster).*

**Note:** The pressure plate adjuster should bottom out and lift against the center clutch nut, not the throw-out. Slack in the clutch cable ensures that you find the correct starting point.

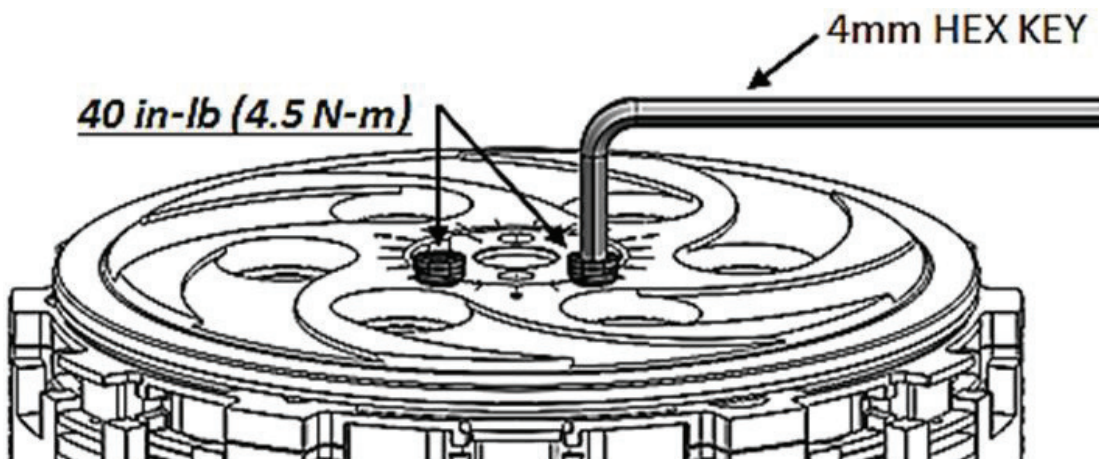


5. Insert the **short end** of the 5 mm hex key into the pressure plate adjuster, then turn it clockwise **one full turn plus 2 tick marks past the starting point**.



**Note:** As you turn the adjuster, the clutch may slip and start to spin before you reach 1-full turn. With the bike in gear, you can hold the rear brake for leverage.

6. Once the installed gap is set, use a 4 mm hex key to slowly tighten the two locking set screws in the pressure plate adjuster to lock it into place. Tighten the screws evenly and in small steps.

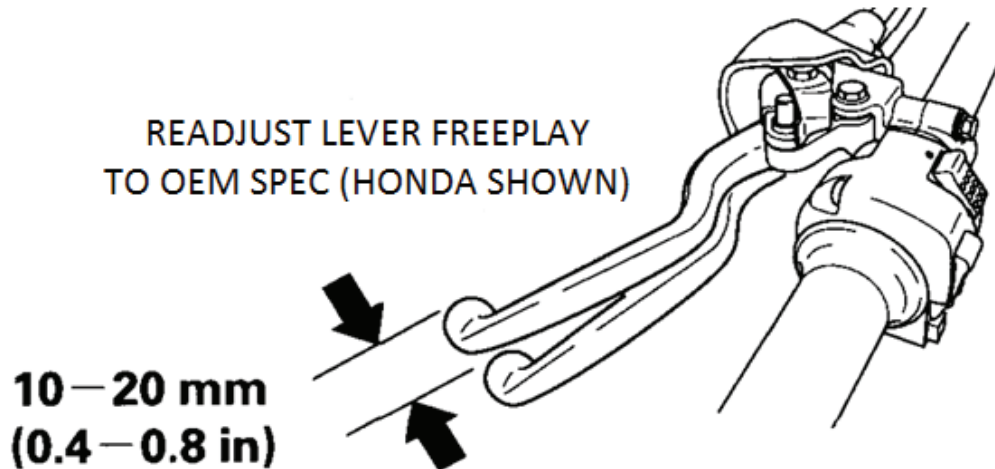


7. Torque to 40in-lb (4.5 N-m).



**Note:** The tops of the set screws should be flush or slightly below flush with the top of the adjuster when torqued correctly.

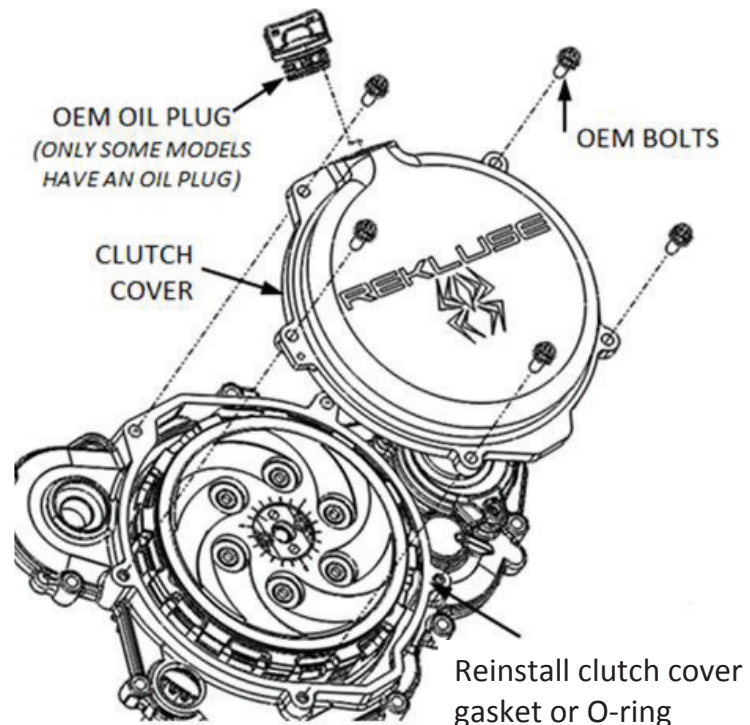
8. With the gap adjusted, readjust the clutch lever free play to OE specification.



9. Reinstall the clutch cover gasket or O-ring cord, then reinstall the clutch cover.

10. Reinstall the OE oil plug if it was removed during disassembly.

11. Torque clutch cover bolts to OE specification.



## Step 2: Learn how to check Free Play Gain

If you are familiar with Free Play Gain, check for Free Play Gain then skip to Step 3 -“Break-in the new clutch.”

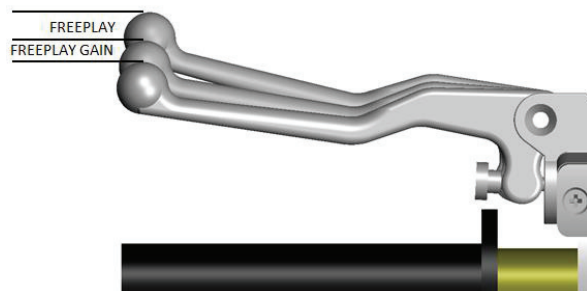
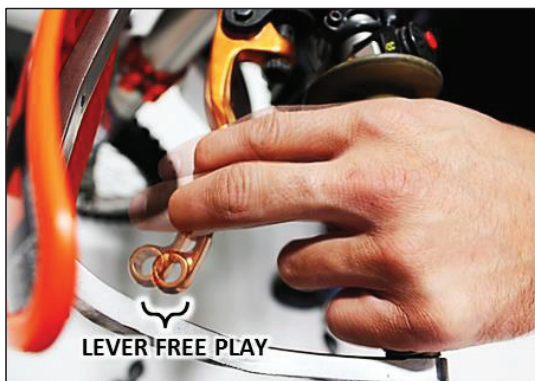
If Free Play Gain is new to you, follow the instructions below to help you learn this important step. You can also view the video entitled “How to Check Free Play Gain” on our website at [www.rekluse.com/support/videos](http://www.rekluse.com/support/videos).

Free Play Gain is different from the “normal” free play you are used to with your stock clutch. With the Rekluse auto clutch, Free Play Gain is the result of the EXP disk expanding and lifting the pressure plate to engage the clutch.

Free Play Gain happens when the engine’s RPM increases from idle to above approximately 5,000 RPM and the EXP closes the installed gap. The amount of Free Play Gain you feel in the lever corresponds to the amount the pressure plate has been lifted by the EXP disk expansion.

Checking Free Play Gain allows you to externally monitor the installed gap so you can know when to make an adjustment if the installed gap is too large or too small.

The correct installed gap is verified by observing and feeling the increased free play movement in the clutch lever. This extra movement is called “Free Play Gain.”



If there is too much Free Play Gain, the installed gap is too small. The bike may drag and stall because it has difficulty disengaging the clutch. It may also be difficult to shift. Too much Free Play Gain will not hurt the clutch, but it will negatively affect clutch performance.

With too little or no Free Play Gain, the installed gap is too large. This means when the EXP is fully expanded it does not lift the pressure plate. The clutch may slip and make the bike seem like it is losing power. The bike may not move forward even though the engine RPM increases as if the clutch lever is slightly pulled. Too little Free Play Gain will cause the clutch system to burn up.

Optimal Free Play Gain yields 1/8" (3 mm) of clutch lever movement, measured at the ball end of the lever. This measurement at the lever correlates to achieving the ideal installed gap.

## **Two Ways to Check for Free Play Gain**

The following steps explain **2 ways** to check Free Play Gain. One way uses the rubber band Rekluse includes in the clutch kit, and one uses your hand. You can use either method to check for Free Play Gain.

Rekluse recommends that you begin with the rubber band method first to check for Free Play Gain and then learn the hand method. The rubber band will help you learn how to recognize Free Play Gain until you are comfortable with the hand method. Learning to check Free Play Gain by hand effectively and comfortably can make it easy to check Free Play Gain every time you ride.

# The Rubber Band Method

Use the rubber band method for the initial set up. It can also be used before each ride until you feel comfortable checking the Free Play Gain using the hand method.

## ⚠ WARNING

**BEFORE YOU BEGIN**, verify that the bike is in **NEUTRAL** before checking Free Play Gain. Failure to do so may result in the bike lurching forward, and loss of control and/or injury may result.

A Rekluse auto-clutch can make your motorcycle appear to be in neutral when in gear, even when the engine is running and clutch lever released.

Motorcycles equipped with a Rekluse auto-clutch can move suddenly and unexpectedly and cause riders to lose control. To avoid death, serious injury, and/or property damage, always sit on the motorcycle to start it.

- a) Before you begin, place the bike in **NEUTRAL**, start the engine and let it warm up for 2-3 minutes to idle down and warm the engine oil.
- b) Stretch the included rubber band between your thumbs, then place the top end of the rubber band on the outer end of the left handlebar grip.



- c) While holding the top end of the rubber band against the handlebar, stretch the band downward, then loop it through itself.



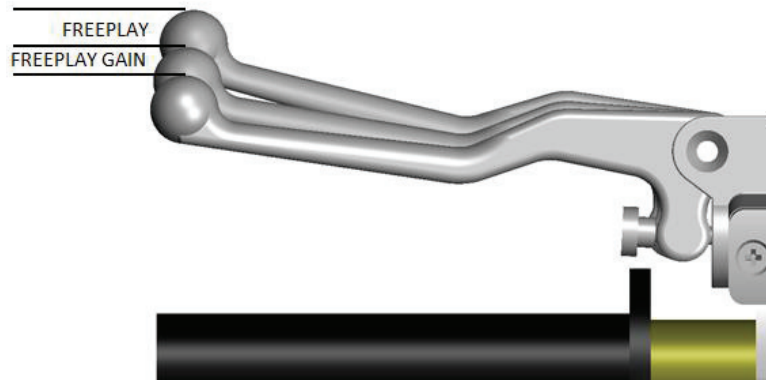
- d) Pull the band through the loop, then attach it to the outside end of the clutch lever. This will take up the initial free play (slack) and put the lever in a position to detect the Free Play Gain.



- e) While still in **NEUTRAL**, quickly rev the engine between 5,000-7,000 RPM (1/2 to 3/4 throttle), then let it return to idle. Notice the movement in the clutch lever when the engine is revved. This is your Free Play Gain.

**Note:** It is very important the motor returns to idle before revving the engine again or Free Play Gain will not be correct.

- f) When the bike returns to idle, rest your hand across the clutch lever. Rev the engine again to 5,000-7,000 RPM so you can observe the movement while feeling for Free Play Gain with your hand.



## **The Hand Method**

Use the hand method to check Free Play Gain before the start of every ride for optimum performance and longevity of your new clutch.

### **⚠ WARNING**

**BEFORE YOU BEGIN**, verify that the bike is in **NEUTRAL** before checking Free Play Gain. Failure to do so may result in the bike lurching forward, and loss of control and/or injury may result.

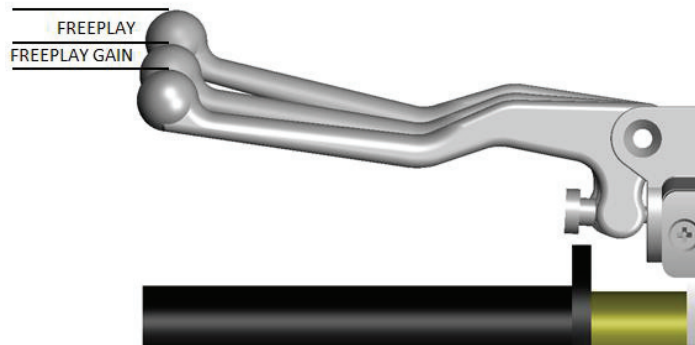
**A Rekluse auto-clutch can make your motorcycle appear to be in neutral when in gear, even when the engine is running and clutch lever released.**

**Motorcycles equipped with a Rekluse auto-clutch can move suddenly and unexpectedly and cause riders to lose control. To avoid death, serious injury, and/or property damage, always sit on the motorcycle to start it.**

- a) Before you begin, place the bike in **NEUTRAL**, start the engine and let it warm up for 2-3 minutes to idle down and warm up the engine oil.
- b) With the bike at idle, apply enough pressure to the clutch lever to take up the initial free play (slack) in the clutch lever.



- c) While still in **NEUTRAL**, continue to apply light pressure and quickly rev the engine between 5,000-7,000 RPM (1/2 to 3/4 throttle), then let it return to idle. Notice the movement in the clutch lever when the engine is revved. This is your Free Play Gain.



- d) When the bike returns to idle, rev the engine between 5,000-7,000 RPM a second time to verify the Free Play Gain again.

## Step 3: Break-in the new clutch


Once you install your new clutch, it is important to break it in. A series of roll-on starts are used to break in the clutch. Follow these procedures for breaking in your clutch and any time new friction disks, EXP bases, Teflon pads, or wedges are installed.

### ⚠ WARNING



**Failure to follow the break-in procedure and oil screen inspection process could cause motor oil delivery failure, which can result in motor failure, serious injury, or death.**

Break-in Procedure	Number of times
<p><b>Rev Cycles:</b></p> <ol style="list-style-type: none"><li>1. Place the bike in <b>NEUTRAL</b>. Warm up the bike for 2-3 minutes.</li><li>2. With your hand <b>off</b> the clutch lever, rev the engine 10 times, being sure to let it <b>return to idle</b> between each rev cycle.</li><li>3. With the engine still running, pull in the clutch lever, then shift the bike into 1<sup>st</sup> gear. Slowly release the clutch lever. The bike should stay running and in place, or have a slight amount of forward creep.</li></ol>	<p>① <b>N</b> ② ③ ④ ⑤</p> <p>10 rev cycles</p>



<p>4. With the bike idling in first gear, slowly apply throttle to begin moving.</p> <p>5. Without using the clutch lever, accelerate moderately to approximately 5,000 RPM to fully lock up the clutch and come to a complete stop. Repeat 10 times.</p>	 <p>10 roll-on starts</p>
---	---

**Note:** *If the engine wants to stall or the creep is excessive, the idle may be too high or the installed gap may be too small. Make necessary adjustments before proceeding.*

<p>6. Without using the clutch lever, start in 2<sup>nd</sup> gear, then accelerate moderately to approximately 5,000 RPM and come to a complete stop. Repeat 10 times.</p>	 <p>10 roll-on starts</p>
<p>7. Place the bike in <b>NEUTRAL</b> and recheck Free Play Gain and adjust the installed gap until the clutch lever is 1/8" (3 mm).</p>	 <p>Recheck Free Play Gain</p>

**Note:** *Your clutch pack will expand with heat, so final adjustment to Free Play Gain should be made when the bike is warm. Remember not to ride without sufficient Free Play Gain.*

**4 strokes only:** It is normal for some clutch debris to be produced during break in. Following break-in, remove and inspect the OE oil filter. Clean or replace it if necessary. Remove and inspect any additional oil screens for clutch debris and clean or replace if necessary. Change the oil after break-in.

 **CAUTION**

***Do not perform 3<sup>rd</sup> gear starts with this product. Starting in 3<sup>rd</sup> gear will burn up the clutch and decrease the performance of this product in a short amount of time.***

# FREE PLAY GAIN ADJUSTMENTS

Make each adjustment in small increments - one tick mark at a time. After each adjustment, recheck Free Play Gain until you achieve the optimal 1/8" (3 mm) of clutch lever movement.

Symptom	Reason	Solution
<ul style="list-style-type: none"><li>• Clutch lever moves in too far (too much Free Play Gain)</li><li>• Clutch has excessive drag or stalls</li><li>• It is difficult to fully override the clutch with the lever</li></ul>	Installed gap is too small	Turn the pressure plate adjuster screw inward (clockwise) to increase the installed gap. Recheck Free Play Gain.
<ul style="list-style-type: none"><li>• Clutch lever only moves slightly or does not move at all (too little Free Play Gain)</li><li>• Clutch slips</li><li>• Bike seems to lose power</li></ul>	Installed gap is too large	Turn the pressure plate adjuster screw outward (counterclockwise) to decrease the installed gap. Recheck Free Play Gain.

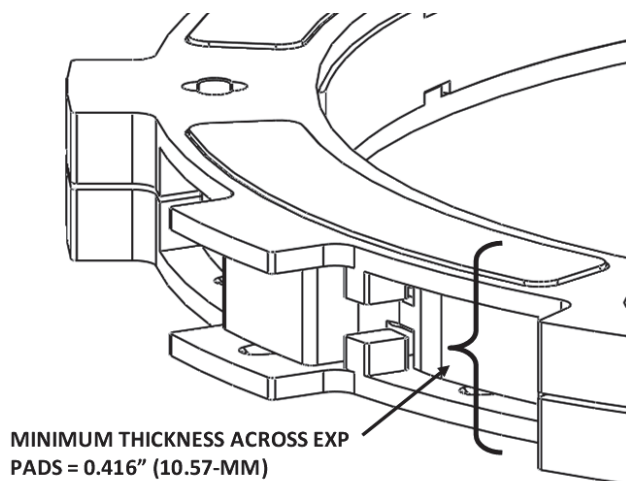
# MAINTENANCE

To keep your clutch performing at its best, perform regular maintenance on your bike and clutch.

- Keep up with regular oil changes as per the bike manufacturer's recommendations. Clutch performance and longevity depend on oil quality.
- Oil recommendations can also be viewed under Tech Tips on our website at [www.rekluse.com/support/videos/atv-mc-support-videos](http://www.rekluse.com/support/videos/atv-mc-support-videos).
- Inspect all of your clutch parts for signs of wear or excessive heat, and replace components as necessary. Clutch wear is dependent on the riders use.

Maintenance Protocol	Maintenance Intervals
Check and verify Free Play Gain	Every ride
Inspect all clutch parts for excessive wear or heat. Replace as needed.	Refer to OE service manual
Change oil, inspect and clean oil screen	Refer to OE service manual

- Measuring the clutch pack and/or the EXP disk can help determine if the components need replacing. See the Setup Sheet for the specific clutch pack measurements.

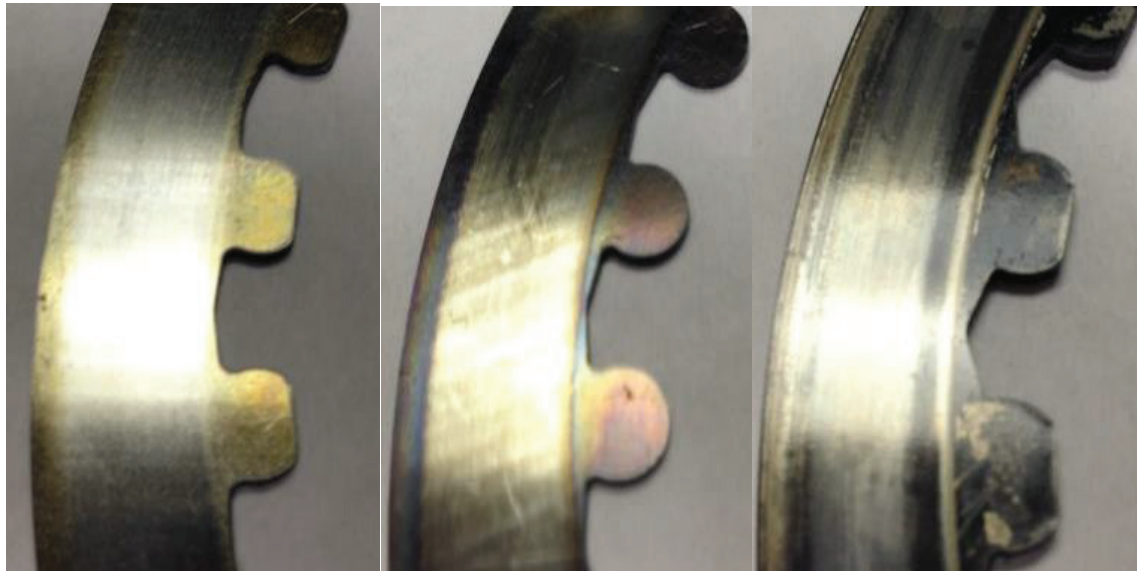


- Inspect the dampers, and replace them if you feel any movement between the two hubs. Refer to the section on inspecting the dampers for more information.
- Maintain adequate Free Play Gain. Check before every ride and adjust if necessary.
- Repeat the break-in procedure anytime you replace the EXP bases, Teflon pads, EXP wedges, or frictions disks. Always soak friction disks or EXP bases in oil for at least 5 minutes before installing.
- Replace friction disks if they measure below specifications listed on the attached Setup Sheet or if the disks are glazed and/or burnt.
- Replace the drive plates if they show signs of excessive heat.

## **Disk inspection examples**

When inspecting the clutch pack, the following pictures can be used as a reference. **These are best viewed in color by viewing this install document from [www.rekluse.com/support](http://www.rekluse.com/support).**

**Drive Plates** – If the clutch pack is getting high amounts of heat, purple, blue, or black color can be seen on the drive plate teeth. See pictures below. Not all drive plates look the same and may look different than pictured.



Normal Heat

High Heat  
(Blue)

Excessive Heat  
(Black)

**Friction Disks** – Due to the dark color of the friction material, the friction disks will appear almost black as soon as they are put in oil. During inspection, look for glazing of the friction material. Glazing will appear shiny and feel like glass, even after oil is cleaned from the friction disk. Not all friction disks look the same and may look different than pictured.



Normal Friction



Glazed Friction

# **TROUBLESHOOTING**

## **Performance issues**

If you find yourself constantly adjusting Free Play Gain or adjusting for drag, the clutch disks might be worn. Excessive heat or clutch slip can cause premature clutch failure as well. Once extreme temperatures are reached, irreversible damage will occur.

- Inspect all of your clutch parts for signs of wear or excessive heat, and replace components as necessary. Clutch wear is dependent on the riders use.
- Measuring the clutch pack and/or the EXP disk can help determine if the components need replacing. See the attached Setup Sheet for the specific clutch pack measurements.

## **Clutch noise**

Although it is harmless, some bike models may have noise coming from the clutch at low RPM as it engages. Clutch noise is caused by the clutch components vibrating as the clutch engages and can become more audible as the clutch gets hot. Adjusting the installed gap will NOT affect clutch squeal or chatter.

For bike models that have noise, here are some recommendations to reduce or eliminate it:

- Change the oil: Rekluse recommends that you have fresh, clean oil that meets JASO-MA or JASO-MA2 for best clutch performance. Dirty or old oil can make the clutch more likely to squeal or chatter.

# EXP TUNING OPTIONS

Adjusting the engine idle speed to match your engagement setting is important and greatly affects the overall feel of how the EXP disk engages.

You can tune the engagement RPM of the EXP disk by changing the spring configuration. The EXP disk comes set with the recommended “**Medium**” setting from Rekluse. **For other EXP tuning options, see the Setup sheet.**

To prevent freewheeling and maximize engine braking, set the idle so there is a slight amount of drag while the bike is idling in gear and warmed up. The idle should not be so high as to move the bike forward in gear with the throttle closed.

With correct Free Play Gain and the bike in gear, the bike should move forward under slight opening of the throttle. If not, one of the following symptoms is likely:

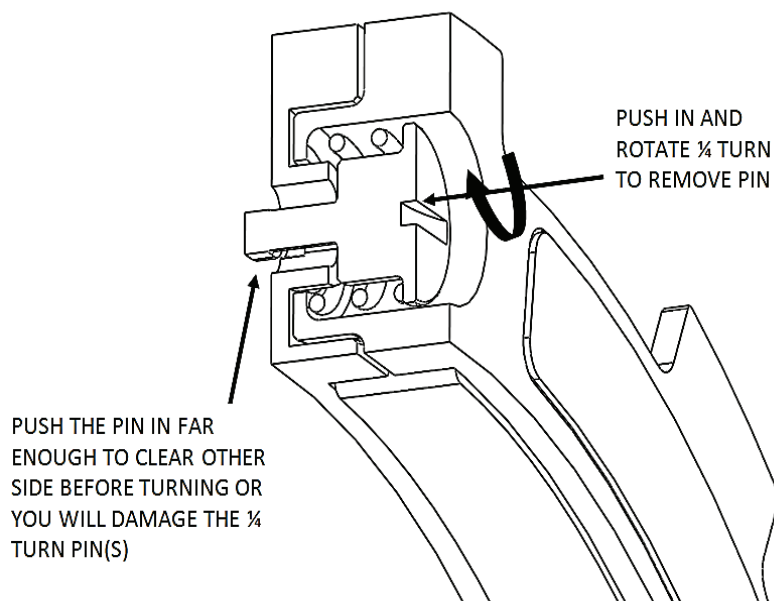
- **HIGH IDLE:** The bike moves forward with the throttle fully closed. Solution: reduce idle RPM.
- **LOW IDLE:** The bike moves forward after engine RPM becomes noticeably higher than idle RPM. Solution: increase idle RPM.



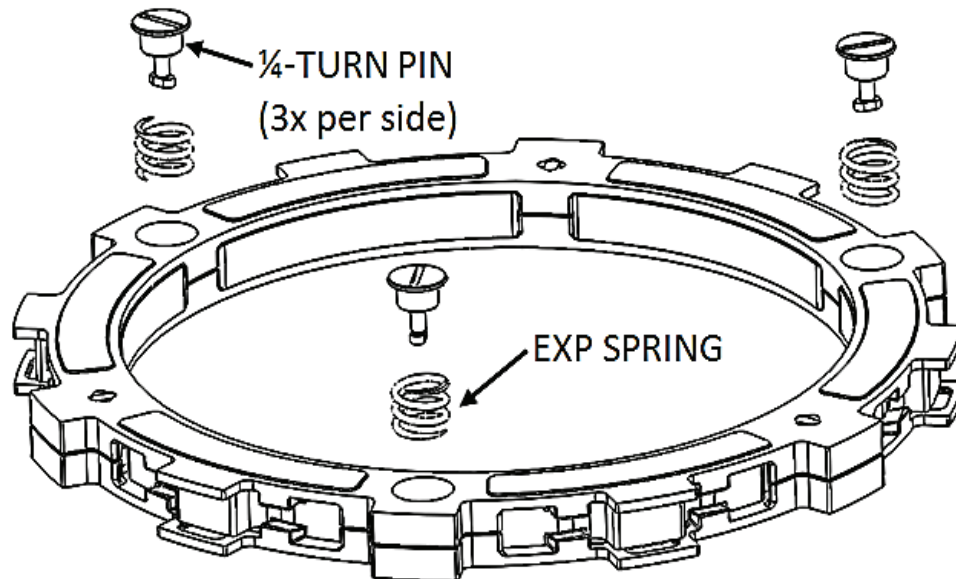
## Changing the EXP springs

Use the following steps to change the EXP spring configuration. It is **NOT necessary** to disassemble the EXP halves to change springs!

1. Using a flat-blade screwdriver, push the  $\frac{1}{4}$  turn pin in far enough to clear the opposite side of the EXP to unlock the pin.
2. With the pin still pushed past the base, turn  $90^\circ$  to remove the pin and spring.
3. Remove the remaining 2 pins and springs from the same side of the EXP base.
4. Drop a new spring into the spring slot on the base, then add the  $\frac{1}{4}$  turn pin.
5. Push the turn pin in far enough to clear the base, then turn  $90^\circ$  and release the pin. The pin should sit almost flush with the EXP base.
6. Flip the EXP friction disk over, and repeat on the other side depending on engagement preference.
7. If you need to disassemble the EXP disk, you can watch the video on our website under Tech Tips at [www.rekluse.com/support/videos/atv-mc-support-videos](http://www.rekluse.com/support/videos/atv-mc-support-videos).

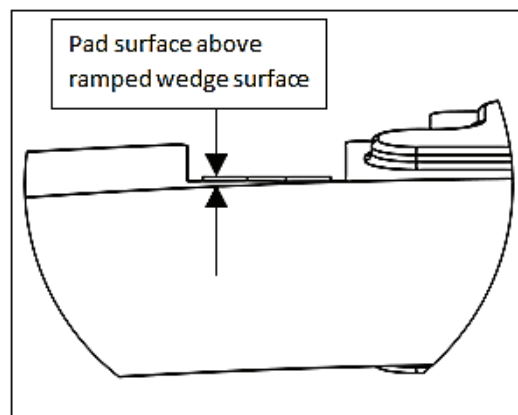
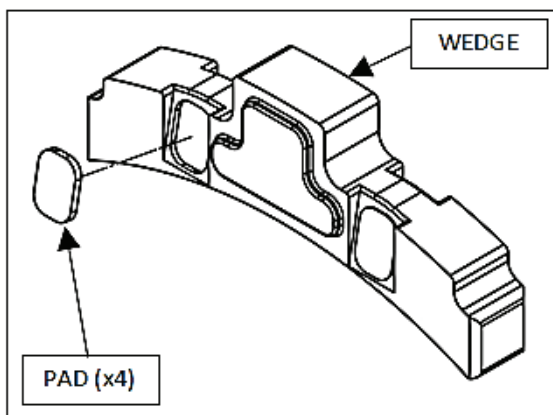


**Note:** To maintain even pressure, when using two different color spring sets, install one set of 3 on one side of the EXP and the remaining set of 3 on the other side.



**CAUTION**

*If you disassemble the EXP, the Teflon pads may fall out or be stuck to the ramp surfaces of the EXP bases. Take care to ensure all pads are correctly placed into wedge pockets using gentle pressure to avoid damage to the pad surfaces before reassembling the EXP. Properly seated pads will be secured in place once the EXP is reassembled. Operating the clutch without the pads in place will cause part damage or failure.*



# **NEED ADDITIONAL HELP?**

## **Website**

[www.rekluse.com/support](http://www.rekluse.com/support)

## **Frequently asked questions**

[www.rekluse.com/faq](http://www.rekluse.com/faq)

## **Support Videos**

[www.rekluse.com/support/videos](http://www.rekluse.com/support/videos)

## **Phone**

(208) 426-0659

## **Technical Support**

Contact Technical Support for questions related to product installation, tuning, and performance.

Technical Support hours:

Monday thru Friday: 8:00 a.m. - 5:00 p.m.

Mountain Time zone

Email: [tech@rekluse.com](mailto:tech@rekluse.com)

## **Customer Service**

Contact Customer Service for additional product information, orders, and returns.

Customer Service hours:

Monday thru Friday: 8:00 a.m. - 5:00 p.m.

Mountain Time zone

Email: [customerservice@rekluse.com](mailto:customerservice@rekluse.com)



## Auto Clutch TROUBLESHOOTING GUIDE

### Rekluse Troubleshooting Guide Terms

**Free Play Gain** – The additional movement of the clutch lever under slight pressure as the RPMs are raised from idle to approximately 5000 RPM. Free Play Gain should only be checked in neutral as per the instructions.

**Worn Friction Plates** – Will be thinner than the factory spec

**Overheated Friction Plates** – Sometimes referred to as glazed. Most of the time measure within spec, but the surface will look darker than new and the friction surface will be smooth like glass. The steel drive plates will also show signs of bluing or darkness

**Squeal** – Chirping noise under acceleration, or take off

**Chatter/Shutter** – Vibration or surge under acceleration as the clutch engages

**Drag** – When stopped or idling in gear, the bike will try pulling, or on a stand the wheel will spin

**Chain Slap** – Drag at idle, in gear, causing the chain to slap noisily against the swing arm

**Low RPM Slip** – Considered engagement slip and will make the initial clutch engagement soft

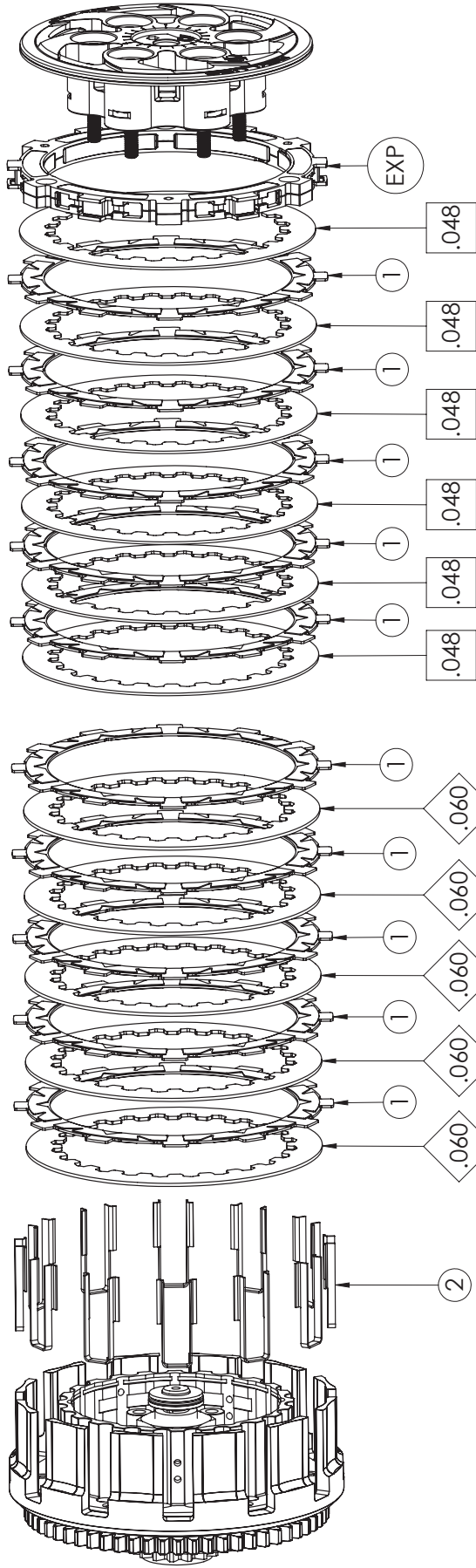
**High RPM Slip** – Occurs above half throttle while accelerating, as the engine RPMs raise little or no power is transmitted to the rear wheel resulting in a loss of forward drive causing excessive clutch heat

**\*Rekluse troubleshooting chart located on back of this page\***

**Note:** The “possible fixes” contained in the chart below are listed in the order of things to try first for each “symptom”

<b>Core EXP 3.0 &amp; EXP 3.0 Troubleshooting Chart</b>		
<b>Symptom</b>	<b>Possible Cause</b>	<b>Possible Fix</b>
Drag or Stalling	Clutch break-in	Complete the recommended clutch break-in
	Transmission oil	Change the oil if it's not a clean high quality JASO MA certified oil
	Excessive “Free Play Gain”	Re-adjust the installed gap and re-check “Free Play Gain”
	Center clutch nut too tight	Re-torque the center clutch nut if it is binding when spun in neutral
	EXP engagement adjustment	Change the EXP setting to a higher engagement setting
	Worn or glazed friction disks	Replace friction disks (Rekluse or OEM disks recommended)
Low RPM slip	No “Free Play Gain”	Re-adjust the installed gap and re-check “Free Play Gain”
	Modified motor	Replace wedges with a heavier set if slightly modified
		If running Core EXP - Replace the pressure plate springs with a heavier set if highly modified
		If running EXP – upgrading to Core EXP is recommended
	Worn or glazed friction disks	Replace friction disks (Rekluse or OEM disks recommended)
Tall Bike gearing	Replace wedges with a heavier set if the gearing is taller than stock	
High RPM slip	No “Free Play Gain”	Re-adjust the installed gap and re-check “Free Play Gain”
	Modified motor	If running Core EXP - Replace the pressure plate springs with a heavier set if highly modified
		If running EXP – upgrading to Core EXP is recommended
	Pressure plate springs	Be sure the Rekluse springs are being used
		Inspect the springs, if they are out of spec replace
Worn or glazed friction disks	Replace frictions disks (Rekluse or OEM disks recommended)	
Squeal or Chatter	Transmission oil	Change the oil if it's not clean high quality JASO MA certified oil. Over-used oil may cause squeal or chatter
	Clutch basket	Replace the basket and/or cushions if they are worn (Rekluse basket recommended if available for your model)
		The Rekluse basket is known to eliminate most squeal or chatter, even if no wear is present (Not available for all models)
No clutch override	Excessive “Free Play Gain”	Re-adjust the installed gap and re-check “Free Play Gain”
Chain Slap	Adjust idle	Adjust idle closer to the engagement point of the clutch so there is less delay in clutch engagement
	EXP engagement setting	Raise the EXP engagement setting and adjust the idle accordingly

# CLUTCH SETUP SHEET 198-7809



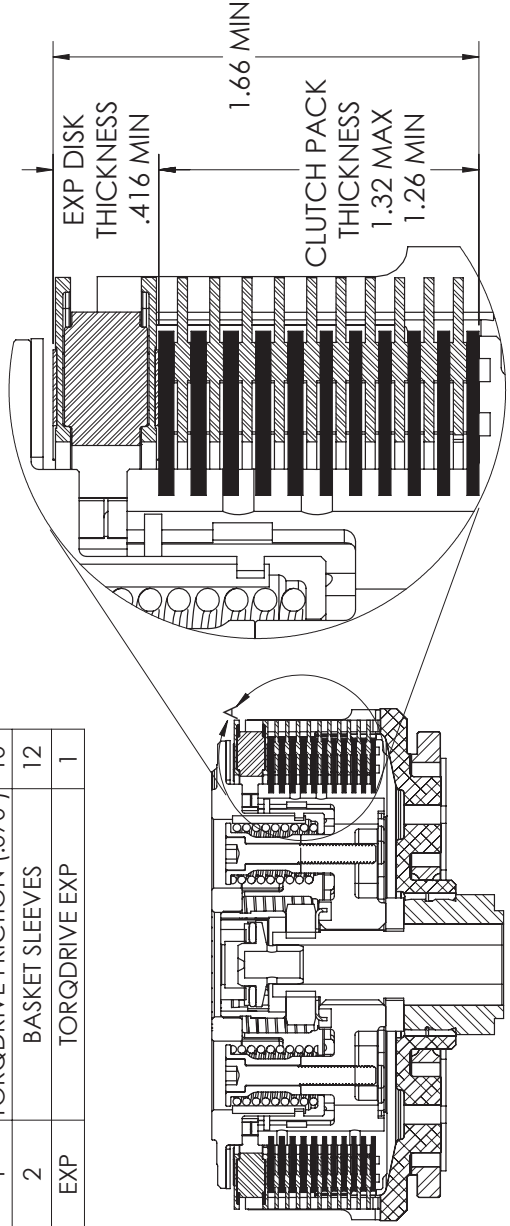
ITEM NO.	DESCRIPTION	QTY.
.048	DRIVE PLATE (.048")	6
.060	DRIVE PLATE (.060")	5
1	TORQDRIVE FRICTION (.070")	10
2	BASKET SLEEVES	12
EXP	TORQDRIVE EXP	1

**KEY:**

MIN = MINIMUM ALLOWABLE THICKNESS  
 MAX = MAXIMUM ALLOWABLE THICKNESS

## EXP TUNING OPTIONS

ENGAGEMENT RPM SETTING	SPRING CONFIGURATION
LOW	3 Blue 3 Gold
MEDIUM *	6 Gold
HIGH	3 Gold 3 Green



\* MEDIUM SETTING IS PREINSTALLED IN THE EXP DISK